

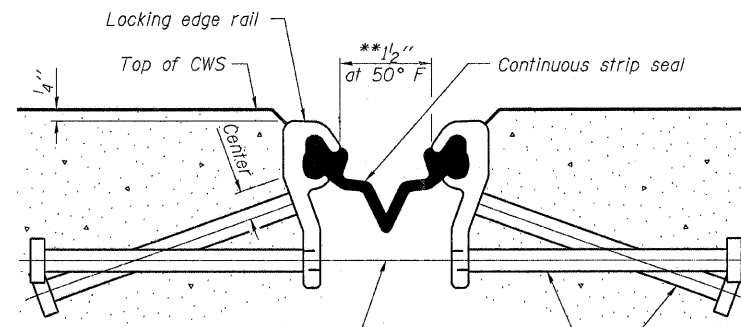
STATE OF ILLINOIS
DEPARTMENT OF TRANSPORTATION

| | | | | | |
|-----------------------|----------|-------------------|-----------|-------|--------------|
| ROUTE NO. | SECTION | COUNTY | SHEET NO. | SHEET | SHEET NO. 12 |
| F.A.P. 885 | 111BR-1 | Johnson | 94 | 71 | 16 SHEETS |
| FED. ROAD DIST. NO. 7 | ILLINOIS | FED. AID PROJECT- | | | |

Contract #78030

* Omit weld at seal opening.

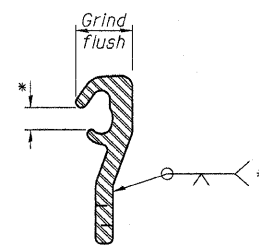
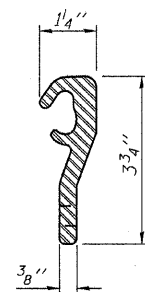
** When joint is fixed, dimension is set at 1 1/2".



7/16" ϕ holes at 4'-0" cts. for 3/8" ϕ bolts. All bolts shall be burned, sawed, or chipped off flush with the plates after forms are removed, typ.

Place 1/2" ϕ x 6" granular or solid flux filled headed studs conforming to Article 1006.32 of the Std. Specs., automatically end welded at 1'-0" alt. cts.

**SECTION THRU STRIP SEAL JOINT
FOR OVERLAY OVER DECK BEAMS**



LOCKING EDGE RAIL

LOCKING EDGE RAIL SPLICE

Notes:

The strip seal shall be made continuous and shall have a minimum thickness of 1/4". The configuration of the strip seal shall match the configuration of the Locking Edge Rails.

The height and thickness of the Locking Edge Rails shown are minimum dimensions. The actual configuration of the Locking Edge Rails and matching strip seal may vary from manufacturer to manufacturer. Flanged edge rails will not be allowed.

The inside of the Locking Edge Rail groove shall be free of weld residue. Locking Edge Rails may be spliced at slope discontinuities and stage construction joints.

The manufacturer's recommended installation methods shall be followed. The cost of Structural Steel shall be included in the item Preformed Joint Strip Seal.

All Steel components shall be galvanized after fabrication according to Article 520.03 of the Standard Specifications.

BILL OF MATERIAL

| ITEM | UNIT | QUANTITY |
|----------------------------|------|----------|
| Preformed Joint Strip Seal | Foot | 66 |

HAMPTON, LENZINI & RENWICK, INC.
CIVIL & STRUCTURAL ENGINEERS
LAND SURVEYORS

3085 STEVENSON DRIVE, SUITE 201
SPRINGFIELD, ILLINOIS 62703
(217) 546-3400

ELGIN • SPRINGFIELD

PROJECT NUMBER: 12-52-0007-1 DATE: 04/02/08
DESIGNED: P.S.L. CHECKED: M.D.C. DRAWN: D.T.M.

STRIP SEAL EXPANSION JOINT

IL. ROUTE 146 OVER BELL POND
F.A.P. ROUTE 885 / SECTION 111BR-1
JOHNSON COUNTY
STATION 513+00
STRUCTURE NO. 044-0022