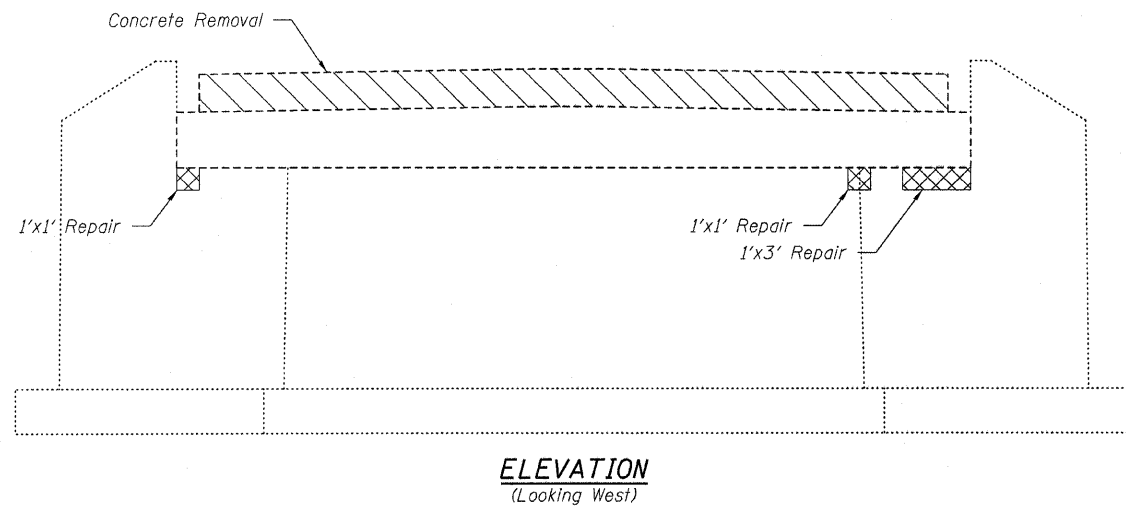


STATE OF ILLINOIS
DEPARTMENT OF TRANSPORTATION

ROUTE NO.	SECTION	COUNTY	SHEET NO.	SHEET NO.	SHEET NO. 13 16 SHEETS
F.A.P. 885	111BR-1	Johnson	94	72	
FED. ROAD DIST. NO. 7		ILLINOIS	FED. AID PROJECT-		

Contract #78030



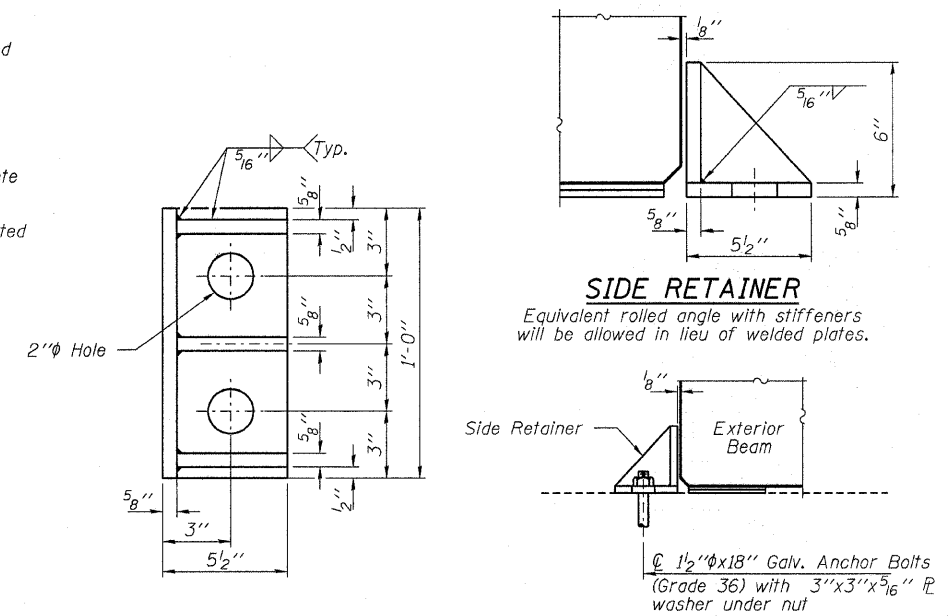
ELEVATION
(Looking West)

NOTES

See Sheet 10 of 16 for Sections Thru Abutment views and additional reinforcement details for abutment Hatch-Block.

The existing abutment bearing seat is to be inspected by the Engineer after deck beam removal. Deteriorated concrete areas shall be repaired if deemed necessary using Structural Repair of Concrete (Depth equal to or less than 5"). Concrete Sealer shall be applied to Concrete Repair areas. Cost included in Concrete Repair item.

Abutment Structural Repair of Concrete areas are estimated from a 10/24/2007 inspection.



SIDE RETAINER

Equivalent rolled angle with stiffeners will be allowed in lieu of welded plates.

Side Retainer
Exterior Beam
1/2" ϕ x 18" Galv. Anchor Bolts (Grade 36) with 3"x3"x5/16" ϕ washer under nut

EXTERIOR BEAM RETAINER DETAILS

(2 Required)

Cost of Side Retainer, Anchor Bolts & accessories are included with Precast Prestressed Concrete Deck Beams.

The side retainer shall be galvanized after shop fabrication according to AASHTO M111.

Anchor bolts shall be ASTM F1554 all-thread (or an Engineer-approved alternate material) of the grade(s) and diameter(s) specified. ASTM A307 Grade C anchor bolts may be used in lieu of ASTM F1554 Grade 36 (Fy=36 ksi).

Anchor bolts for side retainers may be cast in place or installed in holes drilled after members are in place.

Fill 1/8" gap with shim ϕ to provide temporary lateral support until shear keys have been grouted and concrete wearing surface as been placed.

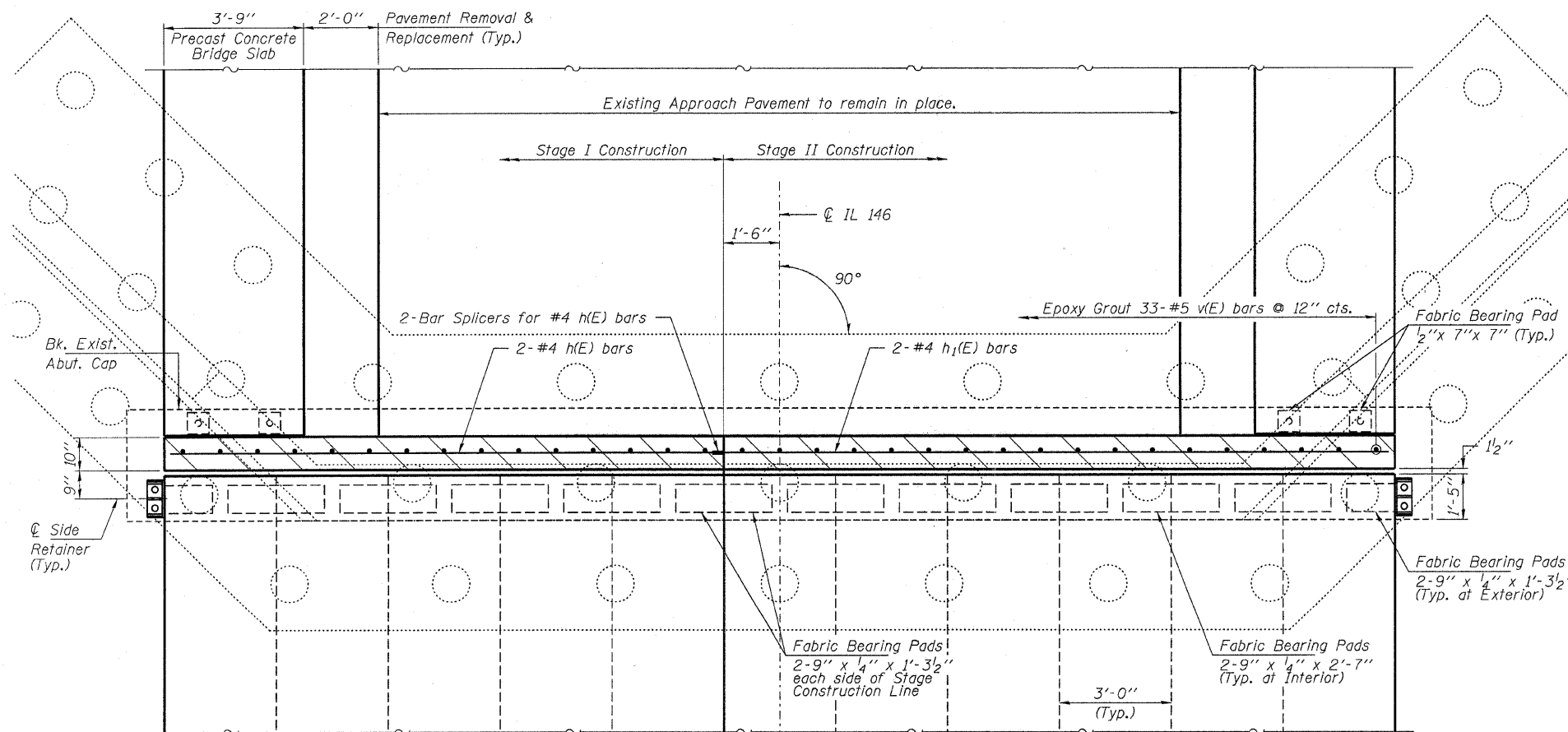
REPAIR LEGEND

Requires Structural Repair of Concrete (Depth Equal to or less than 5")

Hatched Area Indicates Exist. Concrete to be removed. Paid for as Concrete Removal.

BILL OF MATERIAL - WEST ABUT.

BAR	NO.	SIZE	LENGTH	SHAPE
h(E)	2	#4	14'-9"	—
h ₁ (E)	2	#4	17'-9"	—
v(E)	33	#5	3'-4"	—
Concrete Structures			Cu. Yd.	2.0
Reinforcement Bars, Epoxy Coated			Pound	160
Concrete Removal			Cu. Yd.	1.6
Bar Splicers			Each	2
Structural Repair of Concrete			Sq. Ft.	5.0
Asbestos Bearing Pad Removal			Each	28



PLAN

HAMPTON, LENZINI & RENWICK, INC.
CIVIL & STRUCTURAL ENGINEERS
LAND SURVEYORS

3085 STEVENSON DRIVE, SUITE 201
SPRINGFIELD, ILLINOIS 62703
(217) 546-3400

ELGIN • SPRINGFIELD

PROJECT NUMBER: 12-52-0007-1 DATE: 04/02/08
DESIGNED: P.S.L. CHECKED: M.D.C. DRAWN: D.T.M.

WEST ABUTMENT
IL. ROUTE 146 OVER BELL POND
F.A.P. ROUTE 885 / SECTION 111BR-1
JOHNSON COUNTY
STATION 513+00
STRUCTURE NO. 044-0022