

STATE OF ILLINOIS
DEPARTMENT OF TRANSPORTATION

ROUTE NO.	SECTION	COUNTY	TOTAL SHEETS	SHEET NO.	SHEET NO. 2 16 SHEETS
F.A.S. 1907	21BR-1	ALEXANDER	82	14	
FED. ROAD DIST. NO. 7		ILLINOIS	FED. AID PROJECT		

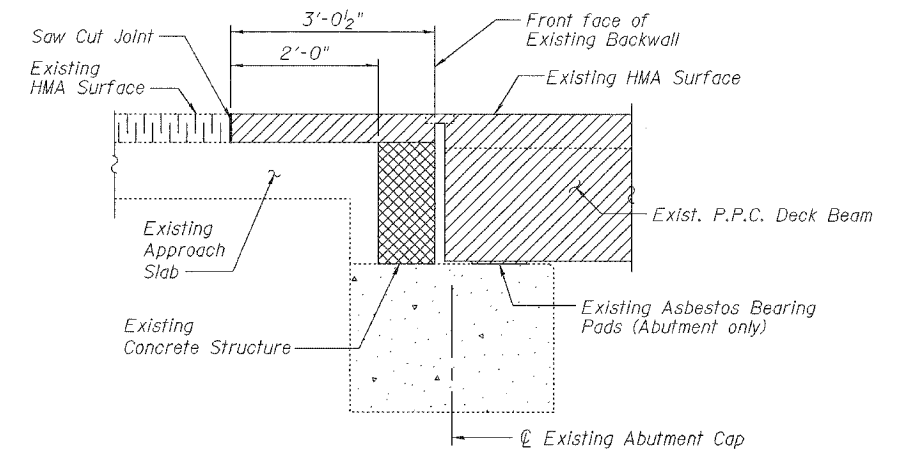
Contract #78032

SCOPE OF WORK

1. Remove existing surface, steel railing, deck beams and bearing pads.
2. Repair bearing seats and perform other repairs at piers as required.
3. Reconstruct a three-span P.P.C. deck beam superstructure with concrete wearing surface and steel railing, Type SM.

GENERAL NOTES

1. Reinforcement bars shall conform to the requirements of ASTM A 706 Gr 60 (IL Modified). See Special Provisions.
2. Reinforcement bars designated (E) shall be epoxy coated.
3. Plan dimensions and details relative to existing plans are subject to routine variations. The Contractor shall field verify existing dimensions and details affecting new construction and make necessary approved adjustments prior to construction or ordering of materials. Such variations shall not be cause for additional compensation for a change in scope of the work, however, the Contractor will be paid for the quantity actually furnished based upon the unit price bid for the work.
4. Concrete Sealer shall be applied to the piers where concrete repairs are performed.
5. No in-stream work will be allowed on this project.
6. The Contractor is advised that the existing PPC Deck Beams are in a deteriorated condition with reduced load carrying capacity. It is the Contractor's responsibility to account for the condition of the beams when developing construction procedures for removal and replacement of the superstructure.
7. If the Contractor's procedures for existing beam removal or placement of new beams involves placement of heavy equipment on the new deck beams, a detailed procedure shall be submitted to the Engineer for approval. The procedure shall include calculations, sealed by an Illinois Licensed Structural Engineer, verifying the structural adequacy of the beams for the proposed loads. Cost included with Precast Prestressed Concrete Deck Beams (17" Depth).
8. The minimum thickness of the concrete wearing surface shall be 5" and varies as required to adjust for the existing profile grade and beam camber.
9. Repair of the substructure shall be completed prior to placement of the new deck beams.



TYPICAL SECTION

Note:
Horizontal dimension shown is at right angles to beam ends.

TOTAL BILL OF MATERIAL

ITEM	UNIT	SUPER	SUB	TOTAL
Removal of Existing Superstructures	Each	1	-	1
Concrete Removal	Cu. Yd.	4.4	-	4.4
Concrete Structures	Cu. Yd.	4.4	-	4.4
Bridge Deck Grooving	Sq. Yd.	421	-	421
Protective Coat	Sq. Yd.	421	-	421
Precast Prestressed Concrete Deck Beams (17" Depth)	Sq. Ft.	3,551	-	3,551
Reinforcement Bars, Epoxy Coated	Pound	6,110	-	6,110
Bar Splicers	Each	127	-	127
Steel Railing, Type SM	Foot	223	-	223
Name Plates	Each	1	-	1
Preformed Joint Strip Seal	Foot	74	-	74
Concrete Sealer	Sq. Ft.	-	73	73
Structural Repair of Concrete (Depth equal to or less than 5 inches)	Sq. Ft.	-	73	73
Concrete Wearing Surface, 5"	Sq. Yd.	421	-	421
Asbestos Bearing Pad Removal	Each	-	56	56

LIMITS OF EXISTING STRUCTURE FOR SUPERSTRUCTURE REMOVAL

Notes:
HMA removal over approach slab included in the cost of Removal of Existing Superstructures.
Removal of concrete structure indicated by crosshatch included in the cost of Concrete Removal.
Removal of asbestos bearing pads included in the cost of Asbestos Bearing Pad Removal.



DESIGNED	YSS
CHECKED	RLM
DRAWN	PRC
CHECKED	YSS

03/13/08

GENERAL STRUCTURE DATA
ILL. ROUTE 127 OVER HOGSKIN CREEK
F.A.S. ROUTE 1907 - SECTION 21BR-1
ALEXANDER COUNTY
STATION 281+60.00
STRUCTURE NO. 002-0028