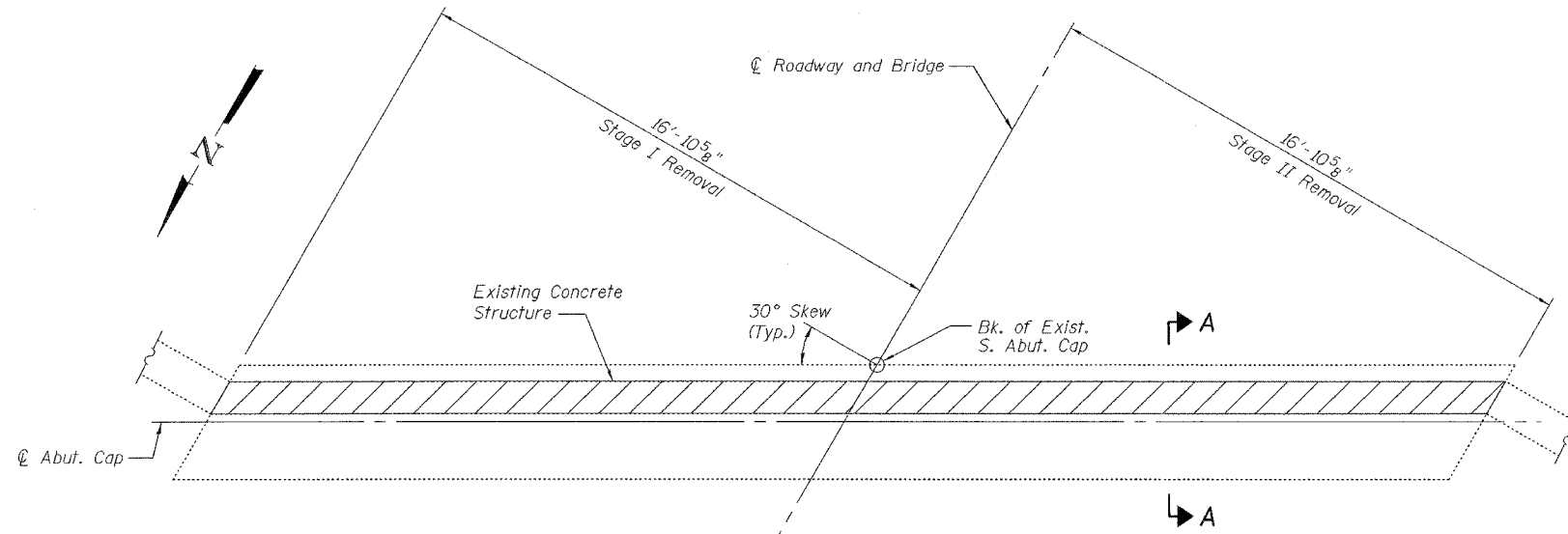


STATE OF ILLINOIS
DEPARTMENT OF TRANSPORTATION

ROUTE NO.	SECTION	COUNTY	TOTAL SHEETS	SHEET NO.	SHEET NO. 7
F.A.S. 1907	21BR-1	ALEXANDER	82	19	16 SHEETS
FED. ROAD DIST. NO. 7	ILLINOIS	FED. AID PROJECT			

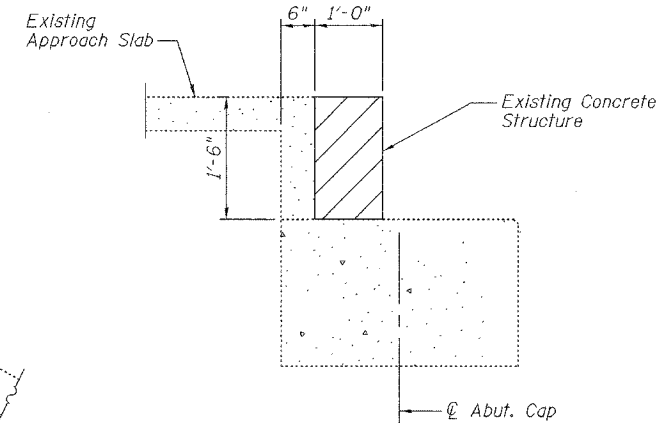
Contract #78032



PLAN - CONCRETE REMOVAL AT ABUTMENT

(South Abutment shown, North Abutment similar)

Removal of existing wearing surface and deck beams included with Removal of Existing Superstructures. These items not shown for clarity.

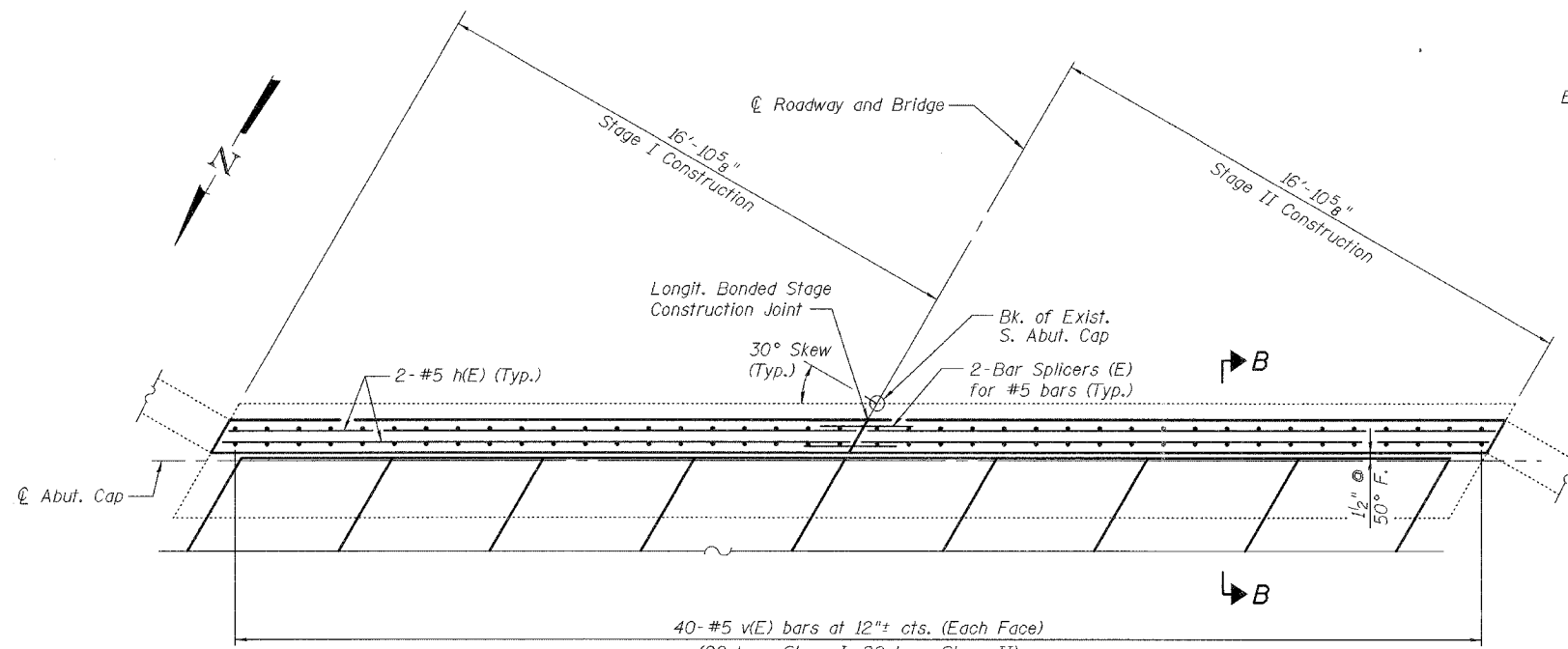


SECTION A-A

Note:
Hatched areas indicate Concrete Removal.
Existing reinforcement extending into new construction shall be cut off flush. Cost included with Concrete Removal.

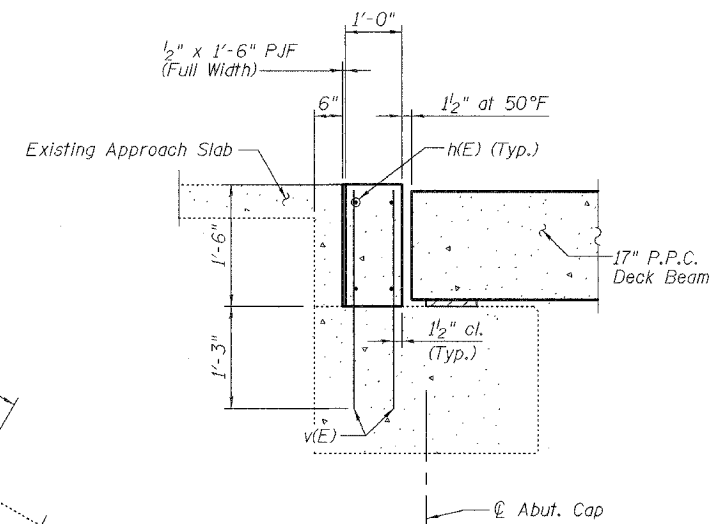
**BILL OF MATERIAL
TWO ABUTMENTS**

Bar	No.	Size	Length	Shape
h(E)	16	#5	19'-3"	—
v(E)	160	#5	2'-6"	—
Reinforcement Bars, Epoxy Coated			Pound	740
Concrete Removal			Cu. Yd.	4.4
Concrete Structures			Cu. Yd.	4.4



PLAN - CONCRETE STRUCTURE AT ABUTMENT

(South Abutment shown, North Abutment similar)



SECTION B-B

Note:
Epoxy grout v(E) bars in drilled holes according to Section 584 of the Standard Specifications. Cost included with Concrete Structures.



DESIGNED	YSS
CHECKED	RLM
DRAWN	PRC
CHECKED	YSS

03/04/08

**CONCRETE DETAILS AT EXPANSION ENDS
ILL. ROUTE 127 OVER HOGSKIN CREEK
F.A.S. ROUTE 1907 - SECTION 21BR-1
ALEXANDER COUNTY
STATION 281+60.00
STRUCTURE NO. 002-0028**