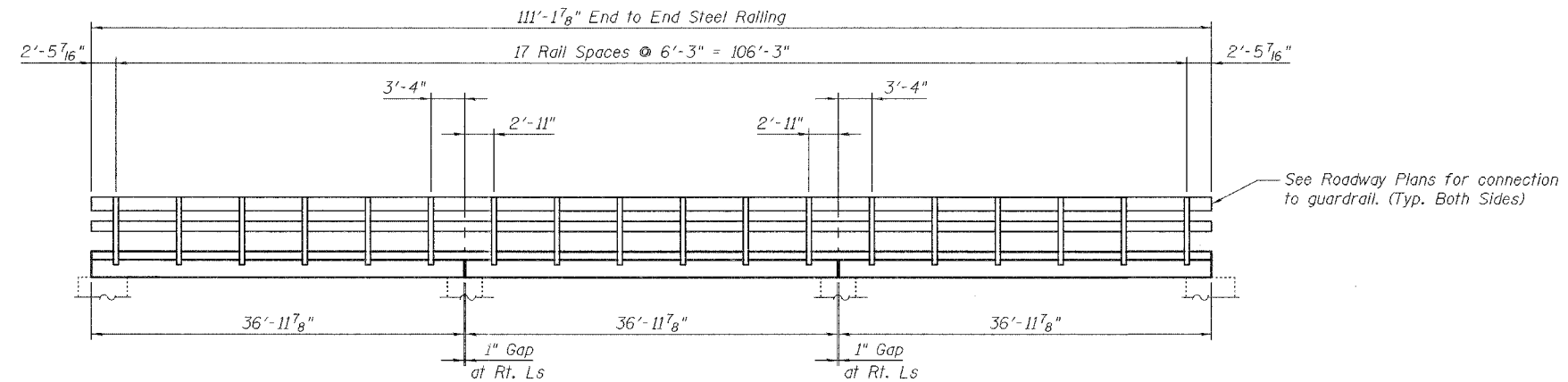


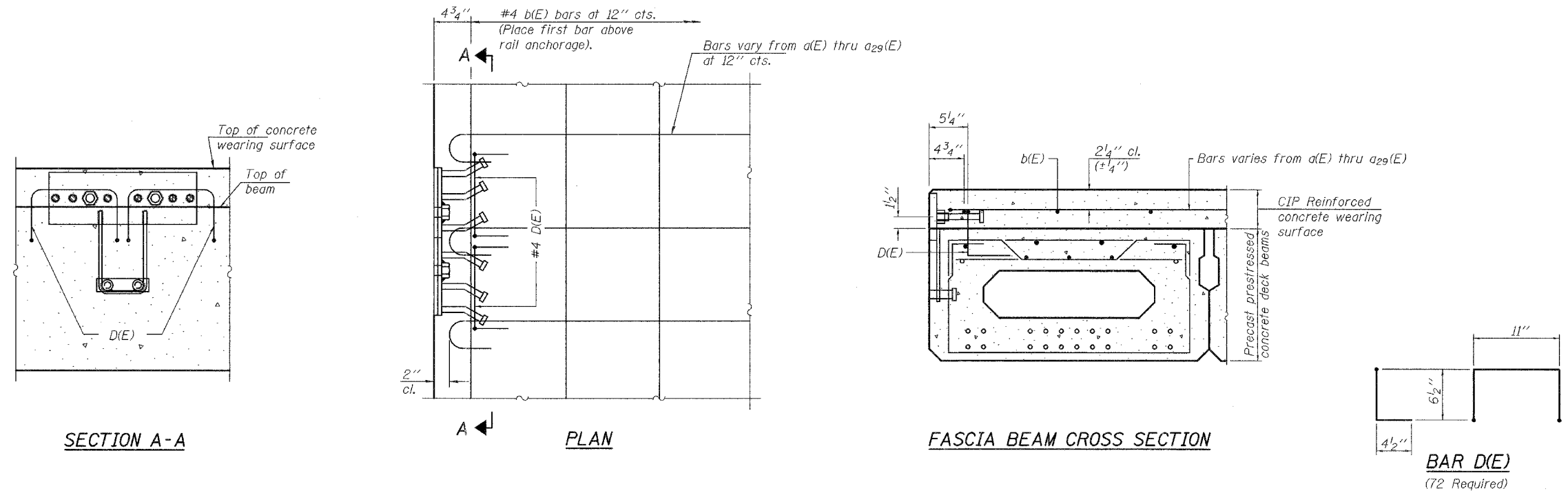
STATE OF ILLINOIS  
DEPARTMENT OF TRANSPORTATION

ROUTE NO.	SECTION	COUNTY	TOTAL SHEETS	SHEET NO.	SHEET NO. 11
F.A.S. 1907	21BR-1	ALEXANDER	82	23	16 SHEETS
FED. ROAD DIST. NO. 7	ILLINOIS	FED. AID PROJECT-			

Contract #78032



RAIL POST SPACING DETAIL



CONCRETE WEARING SURFACE AND FASCIA DECK BEAM  
MODIFICATIONS FOR RAIL ANCHORAGE

Notes:  
See Sheet 12 of 16 for rail anchorage details.  
The rail anchorage shall be cast with the deck beam and cast in the field with the wearing surface. Formwork necessary for the wearing surface may be secured utilizing the bottom rail anchorage inserts and/or additional inserts cast into the beam. Drilling into the beam or CWS will not be permitted.  
Concrete wearing surface to be poured after grouting the shear keys.  
Cost of D(E) bars are included with Steel Railing, Type SM.

RAIL POST SPACING AND CONNECTION DETAILS  
ILL. ROUTE 127 OVER HOGSKIN CREEK  
F.A.S. ROUTE 1907 - SECTION 21BR-1  
ALEXANDER COUNTY  
STATION 281+60.00  
STRUCTURE NO. 002-0028



DESIGNED	YSS
CHECKED	RLM
DRAWN	PRC
CHECKED	YSS

03/04/08