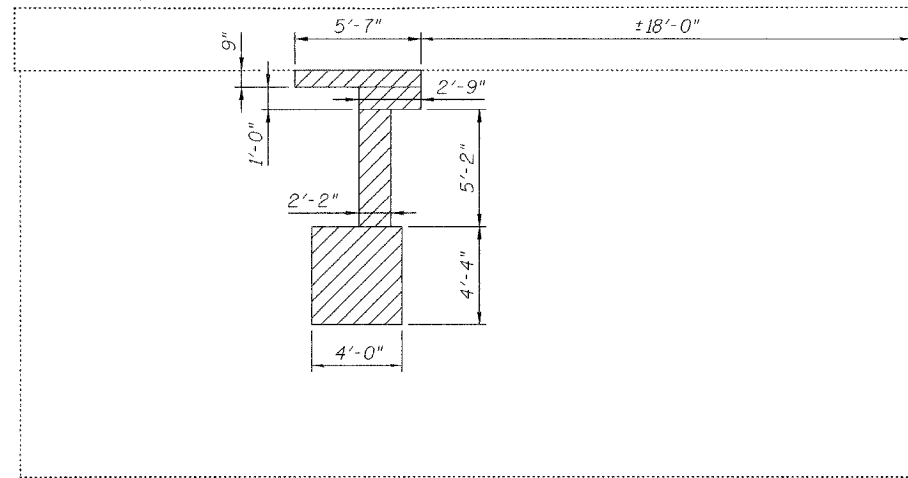


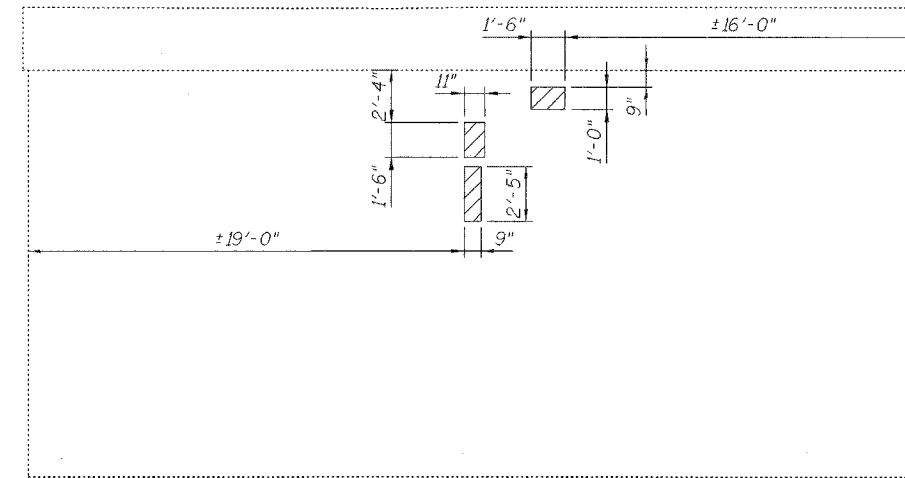
STATE OF ILLINOIS
DEPARTMENT OF TRANSPORTATION

ROUTE NO.	SECTION	COUNTY	TOTAL SHEETS	SHEET NO.	SHEET NO. 14 16 SHEETS
F.A.S. 1907	21BR-1	ALEXANDER	82	26	
FED. ROAD DIST. NO. 7	ELLENBURG	FED. AID PROJECT-			

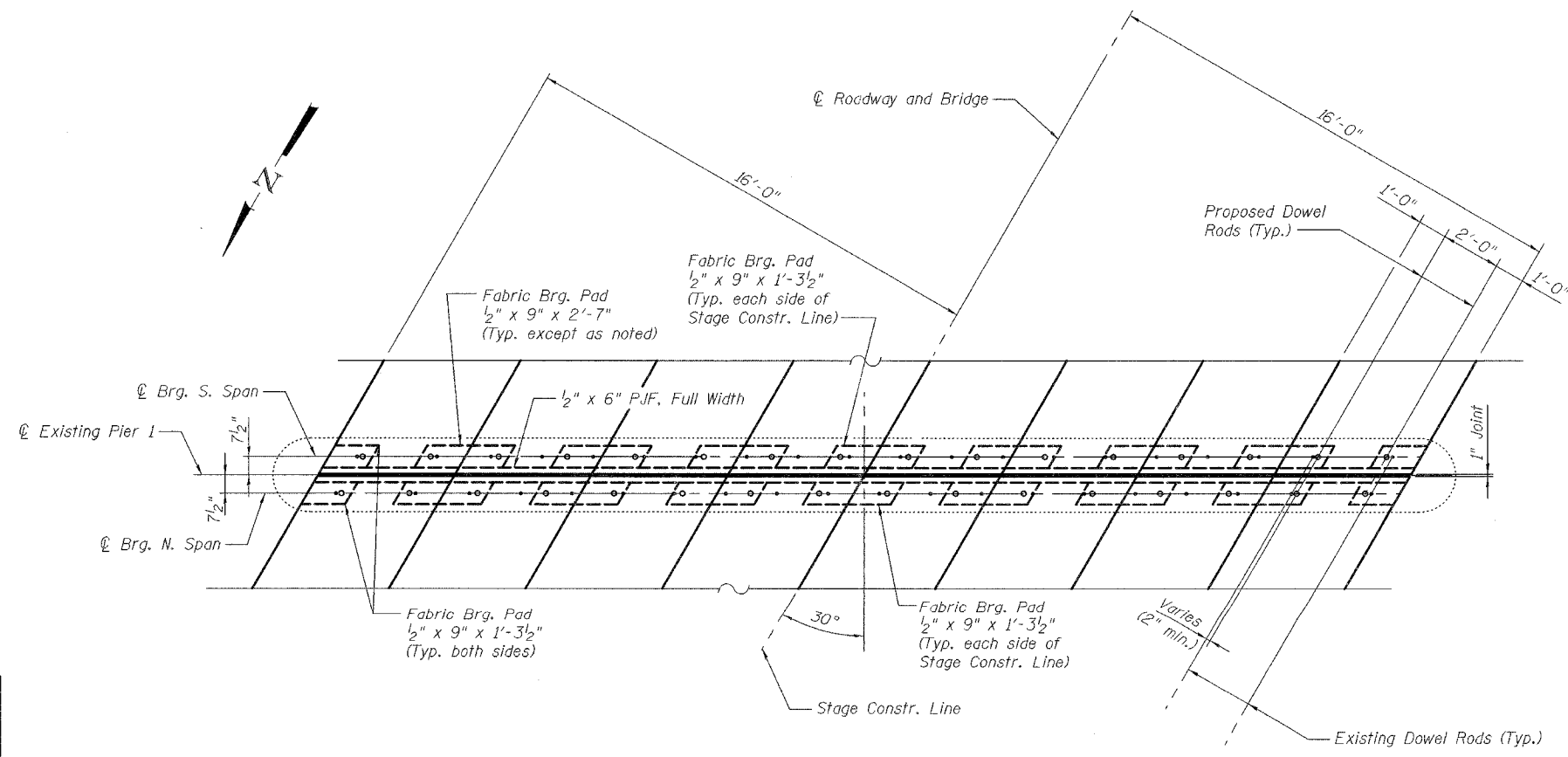
Contract #78032



ELEVATION - NORTH FACE
(Looking South)



ELEVATION - SOUTH FACE
(Looking North)



PLAN - PIER 1 BEARING SEAT
Concrete wearing surface not shown for clarity.

LEGEND

- Structural Repair of Concrete (Depth equal to or less than 5")
- Existing Dowel Rod
- Proposed Dowel Rod

Notes:
Existing dowel rods shall be burned off flush with the existing concrete face, ground smooth, and sealed with epoxy. Cost is included with Removal of Existing Superstructures.
Concrete sealer shall be applied to concrete repair areas.
See Sheet 15 of 16 for Substructure Repair Bill of Material.

PIER 1 REPAIRS
ILL. ROUTE 127 OVER HOGSKIN CREEK
F.A.S. ROUTE 1907 - SECTION 21BR-1
ALEXANDER COUNTY
STATION 281+60.00
STRUCTURE NO. 002-0028



DESIGNED	YSS
CHECKED	RLM
DRAWN	PRC
CHECKED	YSS

03/04/08