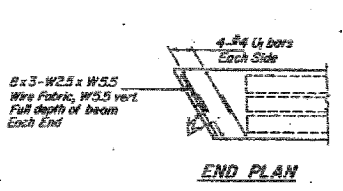
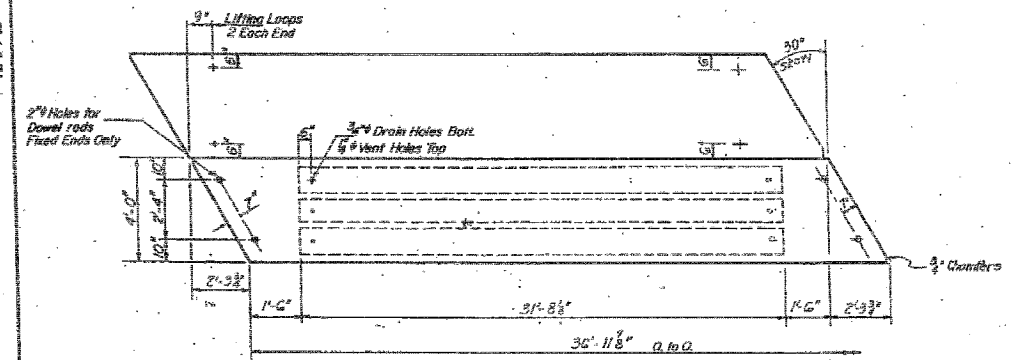
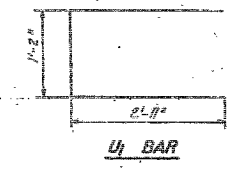
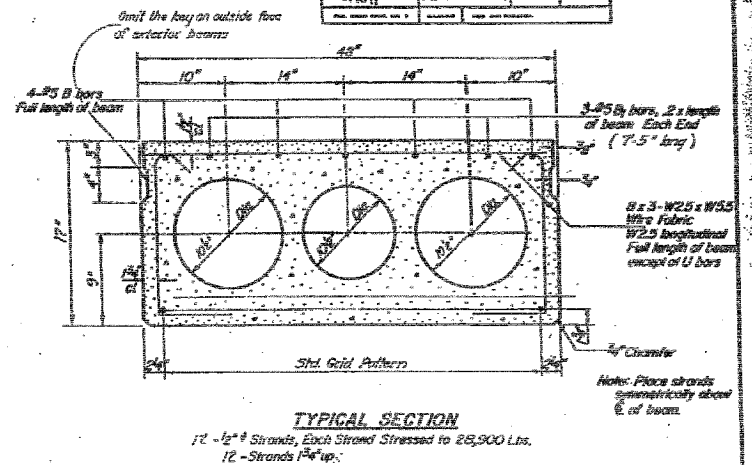
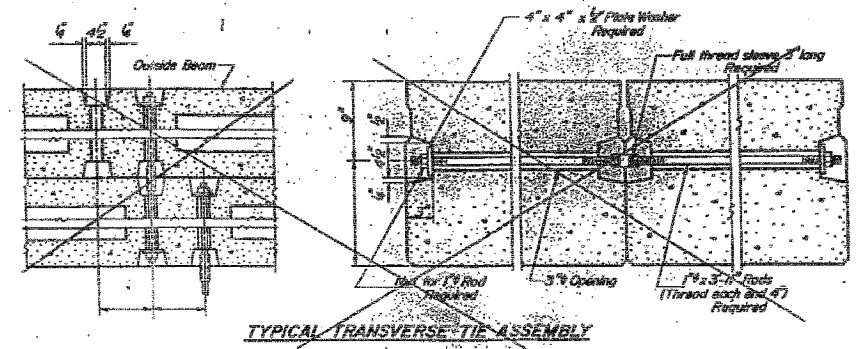
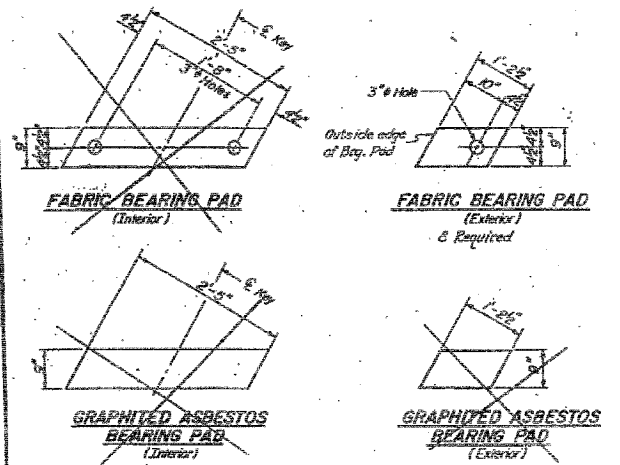


STATE OF ILLINOIS
DEPARTMENT OF TRANSPORTATION

DESIGNED BY	DESIGNED	DATE	PROJECT NO.
ALEXANDER	ALEXANDER	1A	15
CHECKED BY	CHECKED	DATE	PROJECT NO.
ALEXANDER	ALEXANDER	1A	15



DESIGNED: *Patricia M. Peltone*
CHECKED: *Angela L. Brown*
DRAWN: *S.V.V.*
CHECKED: *A.L.B.*

DATE: *July 9 1987*

DESIGNED: *James J. Brannan*
CHECKED: *[Signature]*
APPROVED: *[Signature]*
DIRECTOR OF HIGHWAYS

PD-4-R 6-15-80

NOTES

Prestress steel shall be non-galvanized high strength stress-relieved 7-wire strand Grade 270. The nominal diameter shall be 1/2" and the nominal cross-sectional area shall be 0.153 sq. in. Lifting loops shall be 1/2" diameter, 6 x 25 class wire rope with fiber core and shall have a minimum ultimate tensile strength of 21,000 lbs. or 2 1/2" or 2 3/4" 270ksi strands as shown on Sheet P-1. The 1/2" bars in the transverse tie assembly shall be threaded to a snug fit and the threads set 1/2" from the end of the tie bar on outside shall be filed with great care after transverse tie assembly is in place.

Reinforcement bars shall conform to AASHTO M-31 or M-53, Grade 60. The bearing seat surfaces shall be adjusted by shimming to assure firm and even bearing. Two 1/2" fabric adjusting shims of the dimensions of the Exterior Bearing Pad shall be provided for each bearing.

Reinforcement shall be cleaned to remove form oil or other hard breaking material prior to shipment of the beams. Cleaning shall be done by sandblasting the keyway areas between top of the beam and the bottom edge of the key.

BILL OF MATERIAL

Bar	Qty	Size	Length	Shape
Precast Prestressed Concrete Deck Beams (17" x 48")		Sq. Ft.	270	

SUPERSTRUCTURE SPAN 2
EAS. RT. 1907 SEC. 21 B-1
ALEXANDER COUNTY
STA. 281+60.00



FOR INFORMATION ONLY

FILE NAME = #FILEL#	USER NAME = #USER#	DESIGNED - JMH	REVISED -	STATE OF ILLINOIS DEPARTMENT OF TRANSPORTATION	EXISTING STRUCTURE PLANS	F.A.S. RTE. 1907	SECTION 21BR-1	COUNTY ALEXANDER	TOTAL SHEETS 82	SHEET NO. 33
PLOT SCALE = #SCALE#	CHECKED - JMH	REVISED -	SCALE: NONE			SHEET NO. OF SHEETS	STA. TO STA.	FED. ROAD DIST. NO. 7 [ILLINOIS] FED. AID PROJECT	CONTRACT NO. 78032	
PLOT DATE = #DATE#	DATE - 03/04/08	REVISED -								