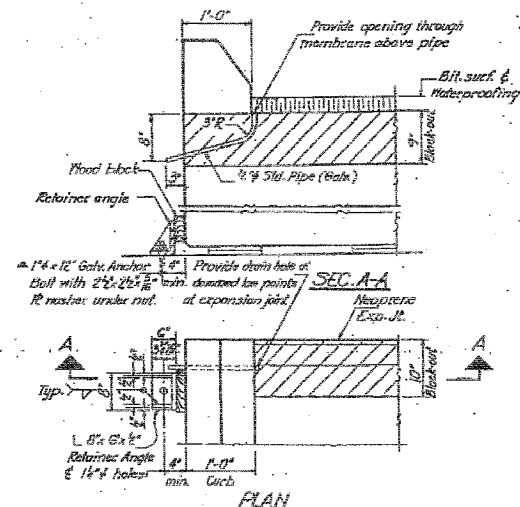


STATE OF ILLINOIS  
DEPARTMENT OF TRANSPORTATION

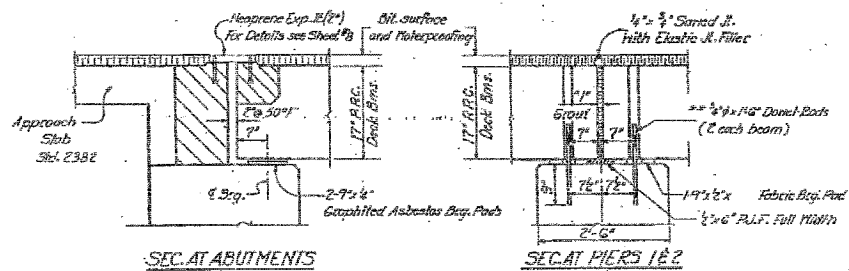
PROJECT NO.	SECTION	COUNTY	TOTAL SHEETS	SHEET NO.
21B-1	ALEXANDER 2A	IL	82	35



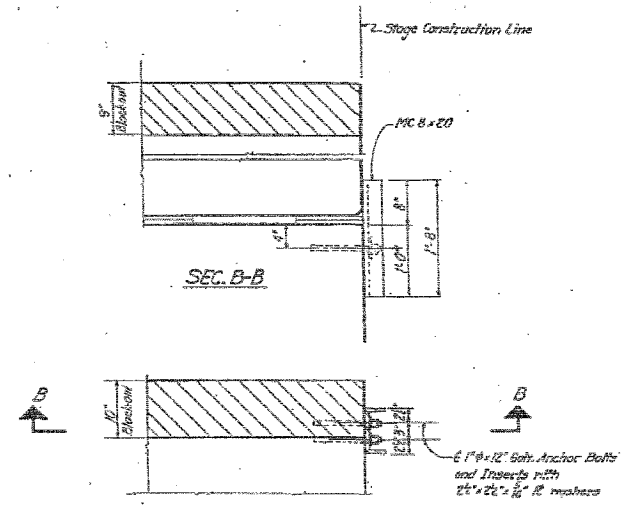
**PLAN**  
(Drain hole and retainer angle at exp. joint)

Anchor bolts may be cast into the masonry or placed in drilled holes and grouted in place cast including Retainer Angle and Accessories incidental to Beams.

After block-outs are poured and cured the retainer angles shall be removed. Anchor bolts may be left in place.



**Holes:**  
Hatched area to be poured after beams are in place.  
1" Joint shall be packed with a very dry mix of 2-1 sand and PC-mortar.  
1" dimension may vary plus or minus to accommodate clearance in beam lengths.  
Dowel Ends to be grouted after beams are in place and allowed to cure a min. 24 hrs. prior to grouting the shear keys.  
All dimensions are of right angles.



**PLAN**  
(Retainer Channel for Exp. Jt. of Slope Const.)  
Cast of Retainer Channel and Accessories incidental to Beams. The Retainer Channel shall be removed. Anchor bolts may be left in place.

DESIGNED: *Richard M. Pivone*  
CHECKED: *Angela L. Brown*  
DRAWN BY:  
CHECKED: *A.L.B.*

DATE: *July 9, 1982*  
EXAMINED: *James J. Anderson*  
APPROVED: *[Signature]*  
DIRECTOR OF HIGHWAYS

SUPERSTRUCTURE-DETAILS  
E.A.S. RT. 1907 SEC. 21B-1  
ALEXANDER COUNTY  
STA. 281+60.00



FOR INFORMATION ONLY

FILE NAME =	USER NAME = #USER#	DESIGNED - JMH	REVISED -	STATE OF ILLINOIS DEPARTMENT OF TRANSPORTATION	EXISTING STRUCTURE PLANS			F.A.S. RTE. 1907	SECTION 21B-1	COUNTY ALEXANDER	TOTAL SHEETS 82	SHEET NO. 35
#FILEL#	PLOT SCALE = #SCALE#	DRAWN - AEC	REVISED -		SCALE: NONE	SHEET NO.	OF SHEETS	STA.	TO STA.	CONTRACT NO. 78032		
	PLOT DATE = #DATE#	CHECKED - JMH	REVISED -							FED. ROAD DIST. NO. 7 ILLINOIS FED. AID PROJECT		
		DATE - 03/04/08	REVISED -									