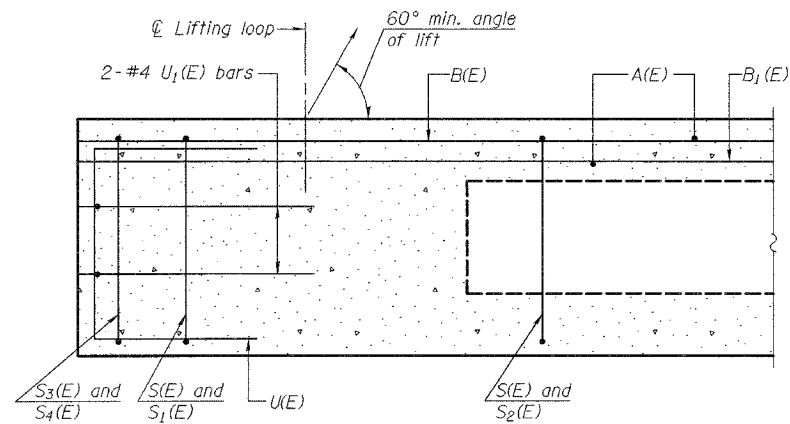


STATE OF ILLINOIS  
DEPARTMENT OF TRANSPORTATION

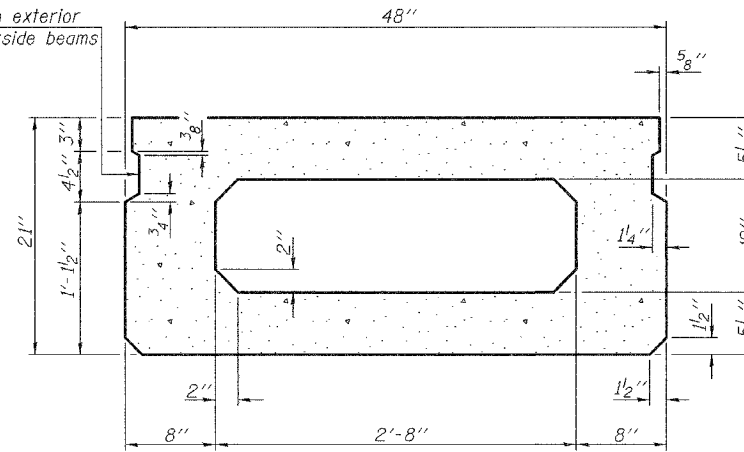
ROUTE NO.	SECTION	COUNTY	TOTAL SHEETS	SHEET NO.	SHEET NO. 5 16 SHEETS
F.A.P. 132	102BR-1	MASSAC	82	58	
FED. ROAD DIST. NO. 7	ILLINOIS	FED. AID PROJECT			

Contract #78032



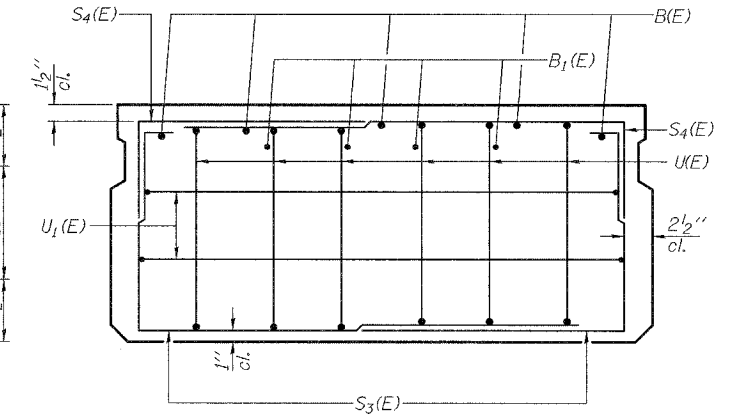
SECTION C-C

Omit key on exterior face of outside beams

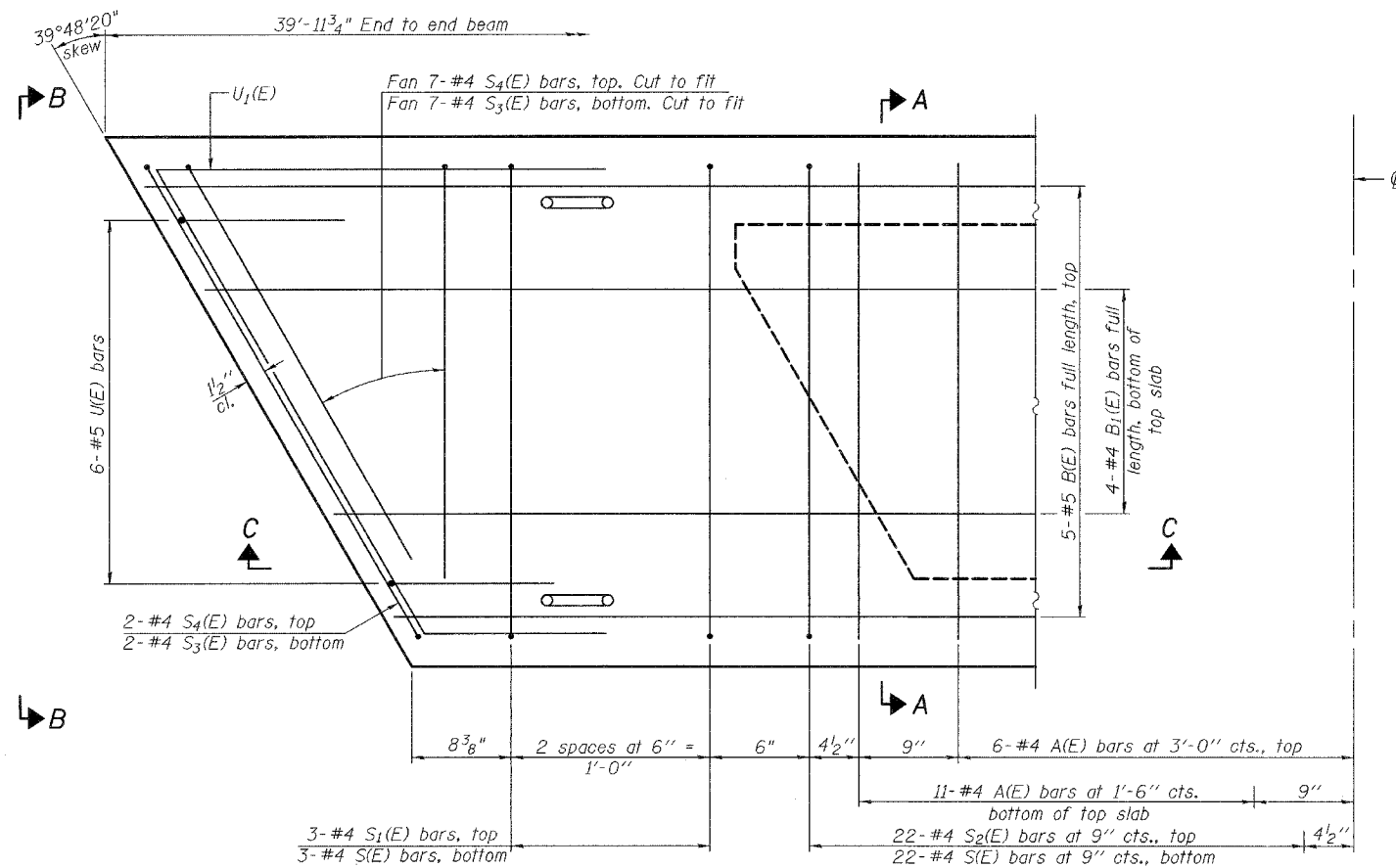


(16 Beams Required)

SECTION A-A  
(Showing dimensions)



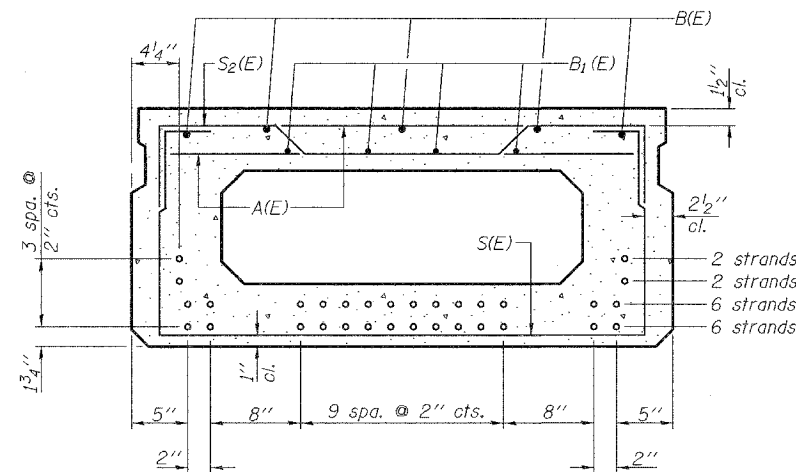
VIEW B-B



PLAN VIEW AT FIXED END

See Sheet 6 of 16 for Expansion End Detail

Note: Spacing of S(E) and S2(E) bars may be adjusted up to 4" in the immediate area of the transverse tie diaphragms to miss the block outs for the transverse ties.



SECTION A-A

(Showing reinforcement and permissible strand locations)

Note: Place the number of strands specified in each row symmetrically about the centerline of beam in the permissible strand locations shown.

BAR LIST  
ONE BEAM ONLY  
(For Information only)

Bar	No.	Size	Length	Shape
A(E)	33	#4	3'-7"	—
B(E)	5	#5	38'-10"	—
B1(E)	4	#4	38'-10"	—
C(E)	7	#5	2'-8"	┌
E(E)	4	#5	2'-0"	┌
S(E)	48	#4	7'-5"	┌
S1(E)	4	#4	6'-7"	┌
S2(E)	44	#4	6'-10"	┌
S3(E)	18	#4	4'-7"	┌
S4(E)	18	#4	4'-2"	┌
S5(E)	4	#4	3'-10"	┌
S6(E)	4	#4	3'-5"	┌
U(E)	6	#5	4'-0"	┌
U1(E)	4	#4	10'-0"	┌
U2(E)	6	#5	3'-3"	┌

Notes:  
See Sheets 6 and 7 of 16 for additional details.  
See Sheet 7 of 16 for Bill of Material.



DESIGNED	RLM
CHECKED	YSS
DRAWN	PRC
CHECKED	RLM

02/04/98

**SUPERSTRUCTURE DETAILS**  
**21" X 48" DECK BEAM**  
**ILL. ROUTE 145 OVER MASSAC CREEK**  
**F.A.P. ROUTE 132 - SECTION 102BR-1**  
**MASSAC COUNTY**  
**STATION 533+27.15**  
**STRUCTURE NO. 064-0008**