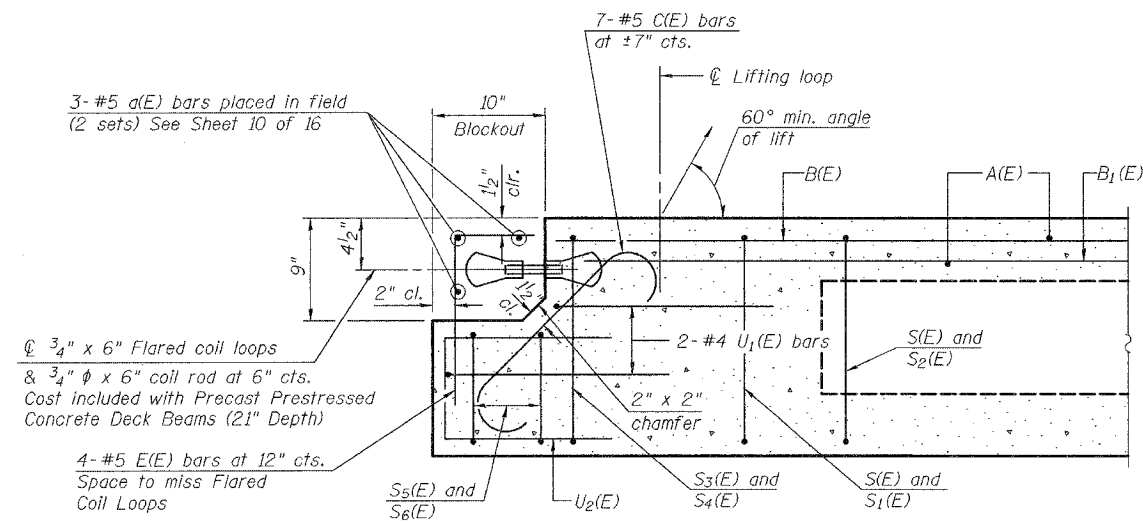


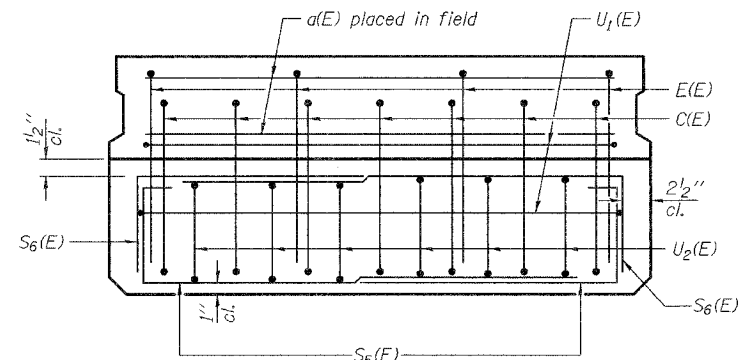
STATE OF ILLINOIS  
DEPARTMENT OF TRANSPORTATION

ROUTE NO.	SECTION	COUNTY	TOTAL SHEETS	SHEET NO.	SHEET NO. 6 16 SHEETS
F.A.P. 132	102BR-1	MASSAC	82	59	
FED. ROAD DIST. NO. 7	ILLINOIS	FED. AID PROJECT-			

Contract #78032

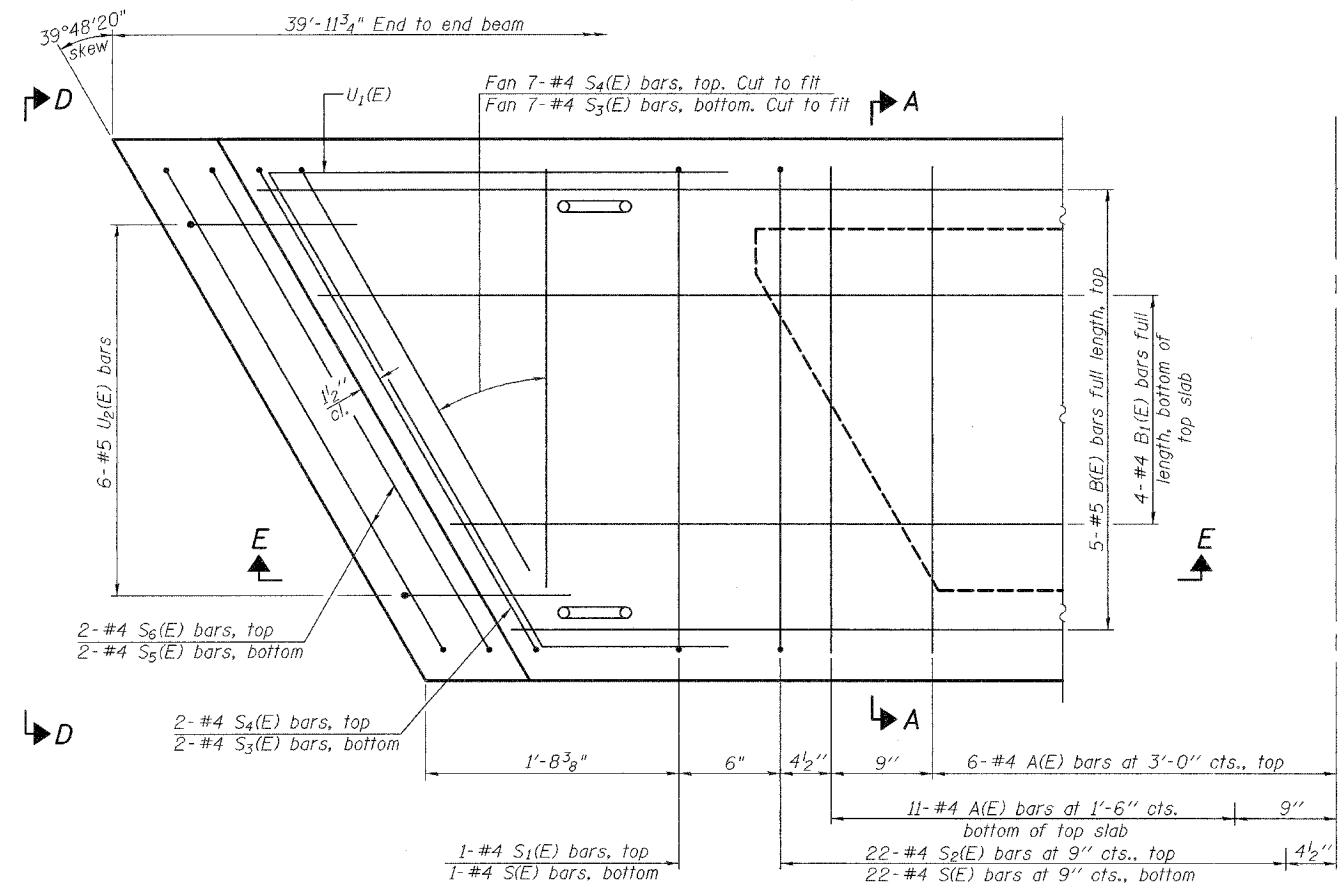


**SECTION E-E**  
Horizontal dimensions at right angles.



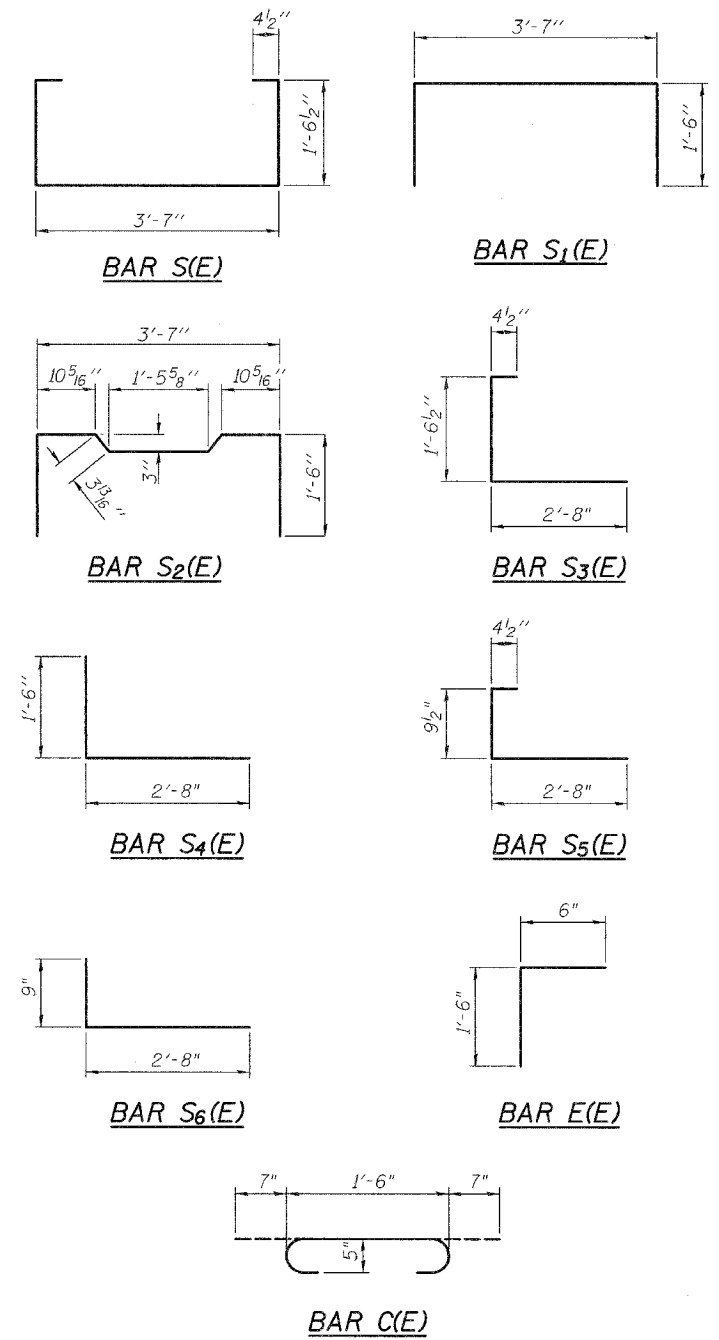
**VIEW D-D**

B(E), B1(E), S3(E) and S4(E) bars not shown, see Sheet 5 of 16.



**PLAN VIEW AT EXP. END**  
See Sheet No. 5 of 16 for Section A-A

Note: Spacing of S(E) and S2(E) bars may be adjusted up to 4\"/>



**SUPERSTRUCTURE DETAILS**  
**21\"/>**



DESIGNED	RLM
CHECKED	YSS
DRAWN	PRC
CHECKED	RLM

02/04/08