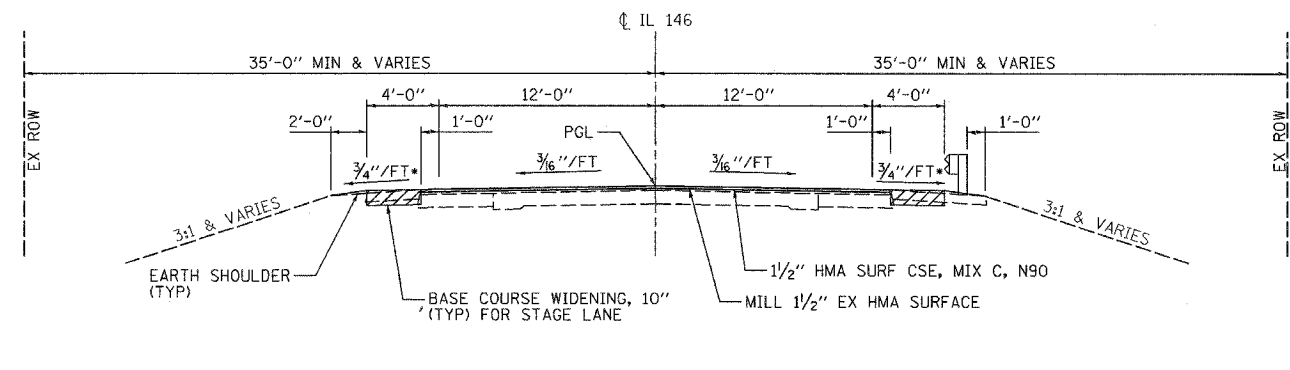


WITHOUT GUARDRAIL

WITH GUARDRAIL

EXISTING TYPICAL ROADWAY SECTION

STA 669+45 TO STA 670+88
STA 672+64 TO STA 674+15



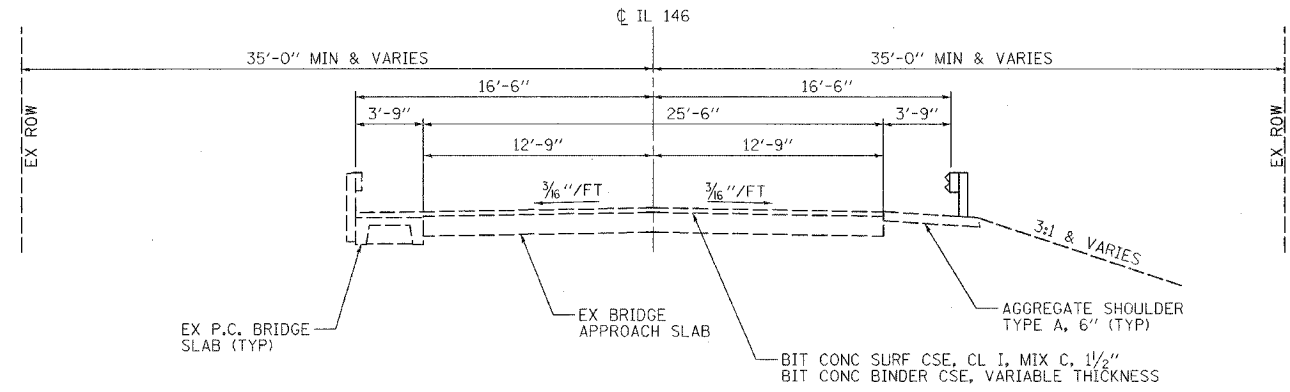
WITHOUT GUARDRAIL

WITH GUARDRAIL

PROPOSED TYPICAL ROADWAY SECTION

STA 669+45 TO STA 670+88
STA 672+64 TO STA 674+15

*TRANSITION TO 1/4"/FT
NEAR P.C. BRIDGE SLABS

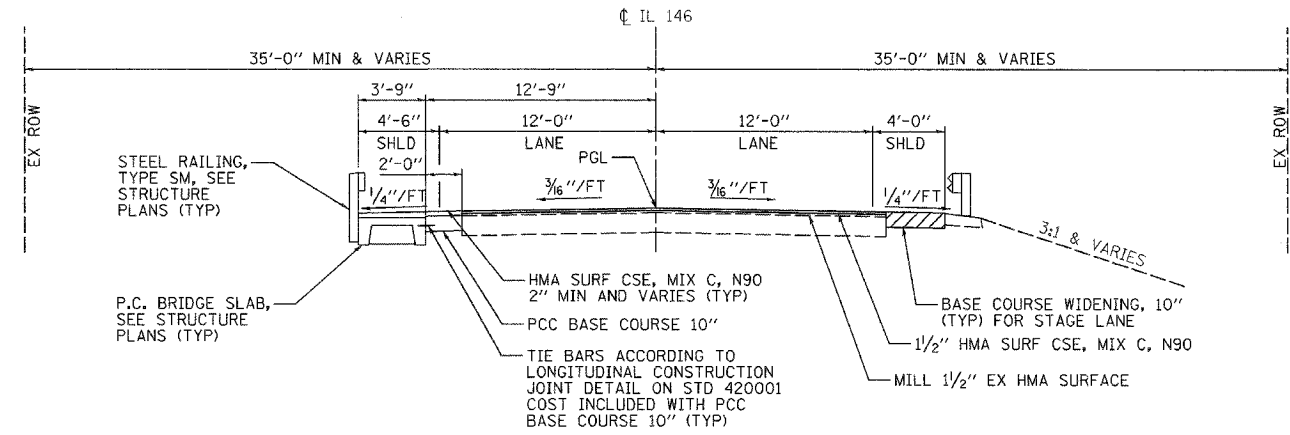


WITH BRIDGE SLAB

WITHOUT BRIDGE SLAB

EXISTING BRIDGE APPROACH SECTION

STA 670+88 TO BRIDGE
BRIDGE TO STA 672+64



WITH BRIDGE SLAB

WITHOUT BRIDGE SLAB

PROPOSED BRIDGE APPROACH SECTION

STA 670+88 TO BRIDGE
BRIDGE TO STA 672+64

HMA MIXTURE REQUIREMENTS

| | | |
|---|---|--|
| LOCATION(S): | BASE COURSE WIDENING | HOT MIX ASPHALT SURFACE COURSE |
| MIXTURE USE(S): | HOT MIX ASPHALT BINDER COURSE, N90, IL-19.0 | HOT MIX ASPHALT SURFACE COURSE, MIX C, N90 |
| AC/PG: | PG64-22 | PG64-22 |
| RAP % (MAX): | 10 | 10 |
| DESIGN AIR VOIDS: | 4.0%, 90 GYRATION DESIGN | 4.0%, 90 GYRATION DESIGN |
| MIXTURE COMPOSITION: (GRADATION MIXTURE) | IL-19.0 mm | IL-9.5 mm OR IL-12.5 mm |
| FRICTION AGGREGATE: | NONE | C SURFACE |



| | | | | | | | | | | | |
|-------------|----------------------|----------------|-----------|---|--|---|---------|--------------|--------------|-----------|--|
| FILE NAME = | USER NAME = #USER# | DESIGNED - JAH | REVISED - | STATE OF ILLINOIS DEPARTMENT OF TRANSPORTATION | FAP ROUTE 885 (IL 146) TYPICAL SECTIONS | F.A.P. RTE. | SECTION | COUNTY | TOTAL SHEETS | SHEET NO. | |
| #FILES# | PLOT SCALE = #SCALE# | DRAWN - GDO | REVISED - | | | 885 | 111BR-1 | POPE | 69 | 4 | |
| | PLOT DATE = #DATE# | CHECKED - JAH | REVISED - | | | CONTRACT NO. 78033 | | | | | |
| | | DATE - | REVISED - | | | FED. ROAD DIST. NO. 7 ILLINOIS FED. AID PROJECT | | | | | |
| | | | | SCALE: 1"=5' | | SHEET NO. 1 OF 1 SHEETS | | STA. TO STA. | | | |