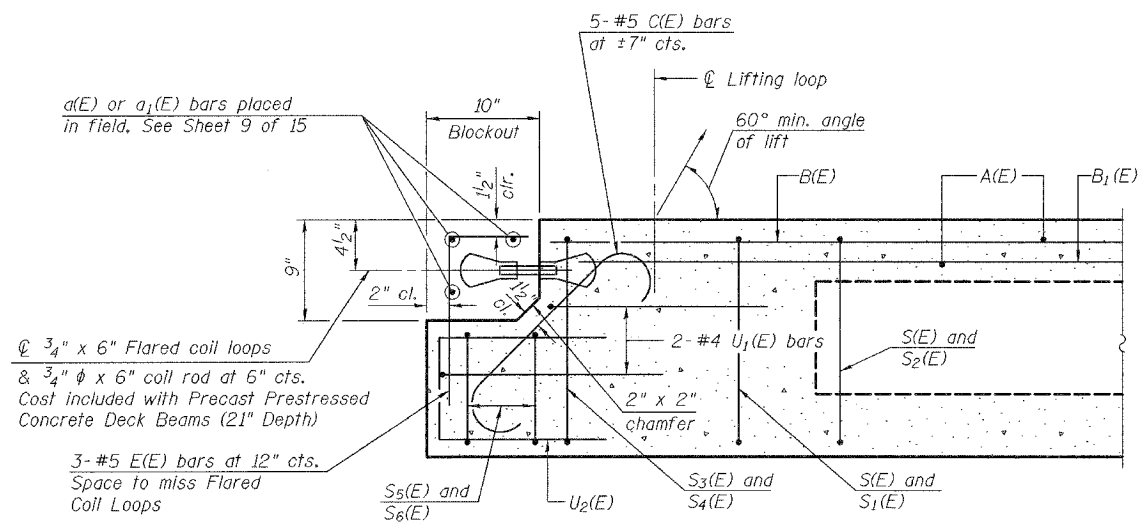


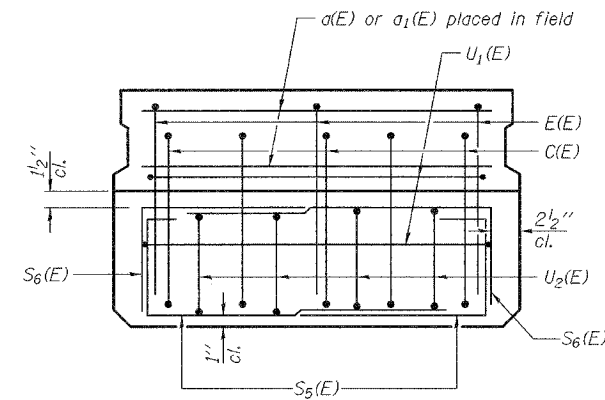
STATE OF ILLINOIS  
DEPARTMENT OF TRANSPORTATION

ROUTE NO.	SECTION	COUNTY	TOTAL SHEETS	SHEET NO.	SHEET NO. 6 15 SHEETS
F.A.P. 885	111BR-1	POPE	69	17	
FED. ROAD DIST. NO. 7	ILLINOIS	FED. AID PROJECT			

Contract #78033

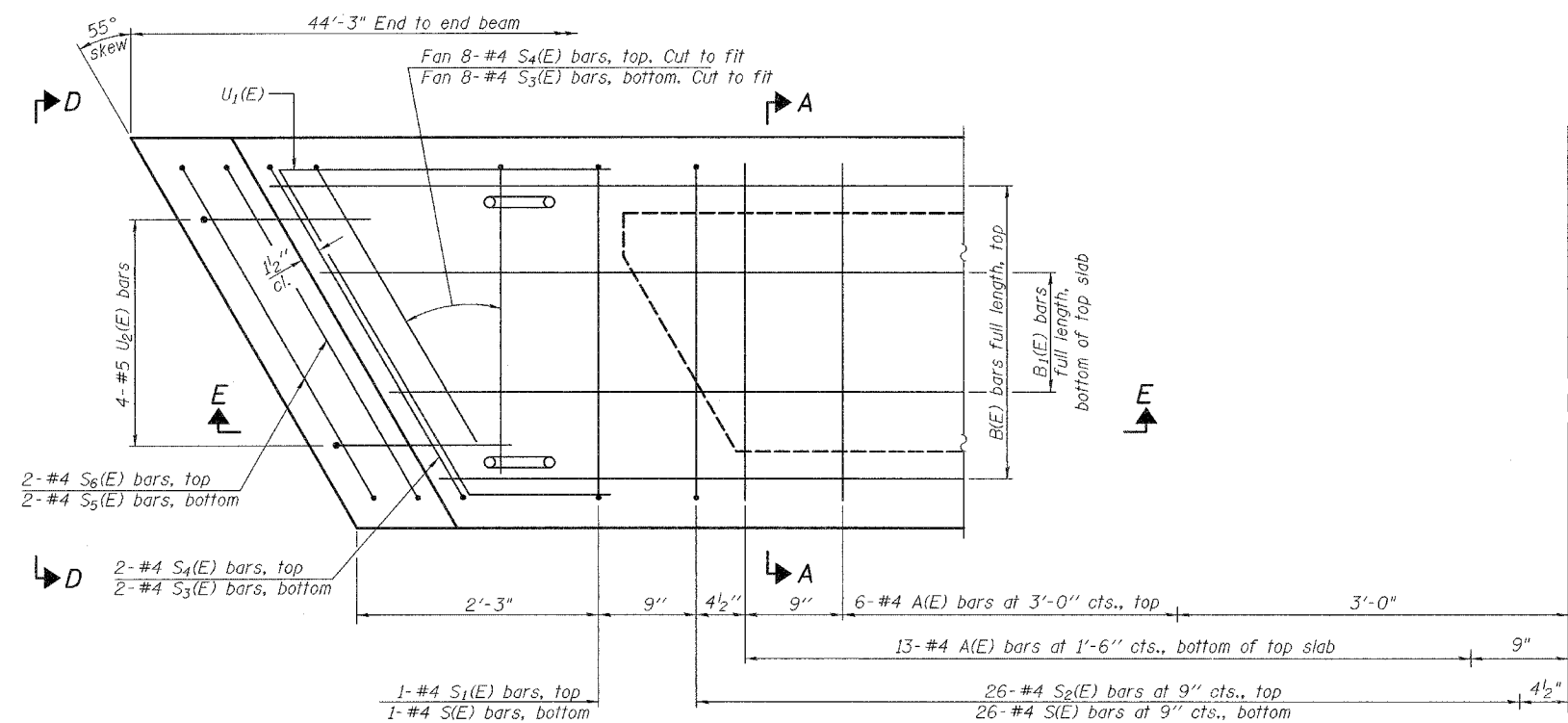


**SECTION E-E**  
Horizontal dimensions at right angles.



**VIEW D-D**

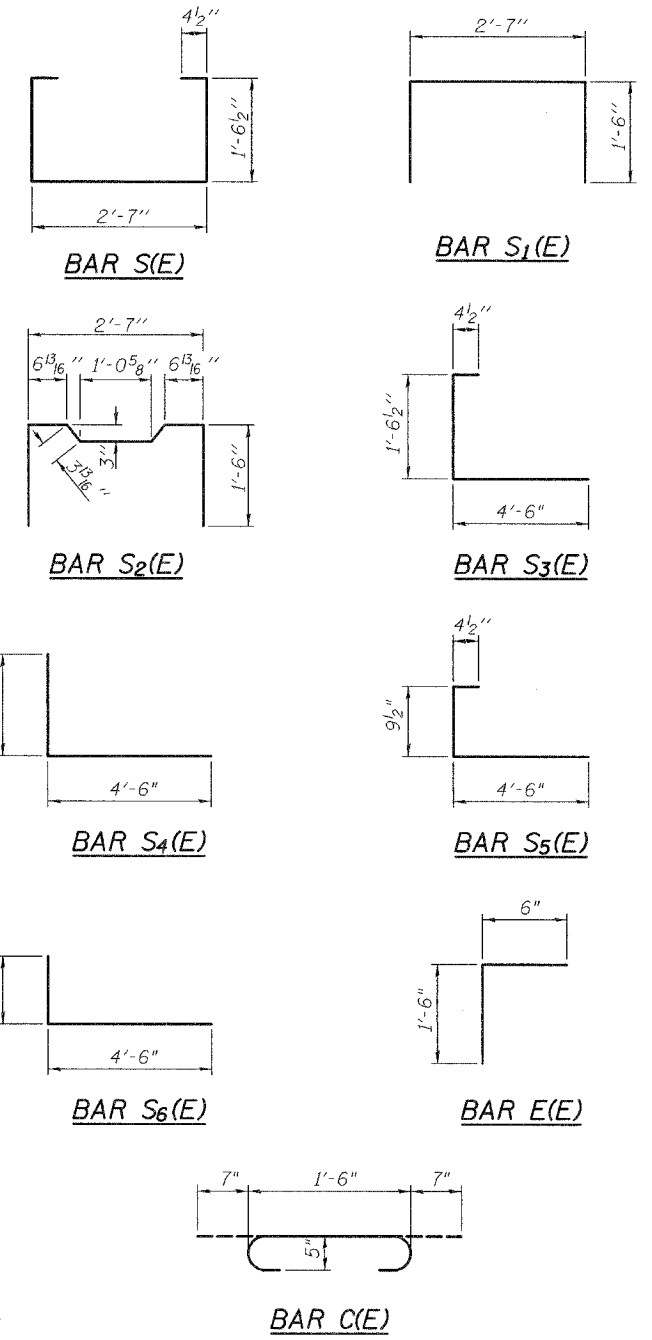
B(E), B1(E), S3(E) and S4(E) bars not shown, see Sheet 5 of 15.



**PLAN VIEW AT EXP. END**

See Sheet 5 of 15 for Section A-A

Note: Spacing of S(E) and S2(E) bars may be adjusted up to 4" in the immediate area of the transverse tie diaphragms to miss the block outs for the transverse ties.



DESIGNED	YSS
CHECKED	RLM
DRAWN	PRC
CHECKED	YSS

03/18/08

Notes: See sheet 5 of 15 for Bar List.  
See sheet 7 of 15 for Bill of Material.

**21" X 36" DECK BEAM DETAILS - 1**  
**ILL. ROUTE 146 OVER SUGAR CREEK**  
**F.A.P. ROUTE 885 - SECTION 111BR-1**  
**POPE COUNTY**  
**STATION 671+76.00**  
**STRUCTURE NO. 076-0006**