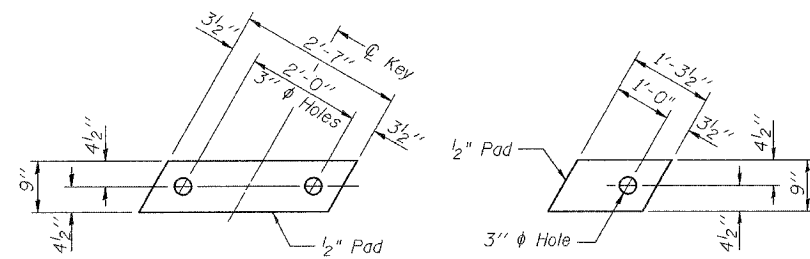


STATE OF ILLINOIS
DEPARTMENT OF TRANSPORTATION

ROUTE NO. F.A.P. 885	SECTION 111BR-1	COUNTY POPE	TOTAL SHEETS 69	SHEET NO. 18	SHEET NO. 7 15 SHEETS
FED. ROAD DIST. NO. 7		ILLINOIS	FED. AID PROJECT		

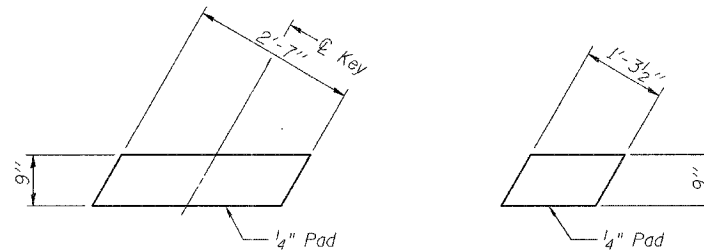
Contract #78033



FABRIC BEARING PAD
(Interior)
(18 Required)

FABRIC BEARING PAD
(Exterior and Stage Constr. Line)
(8 Required)

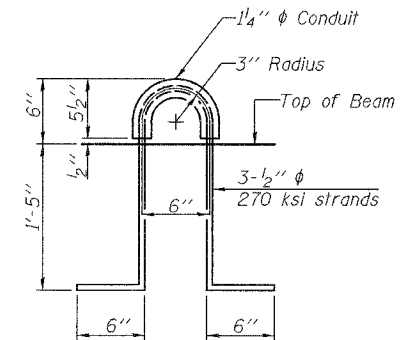
FIXED



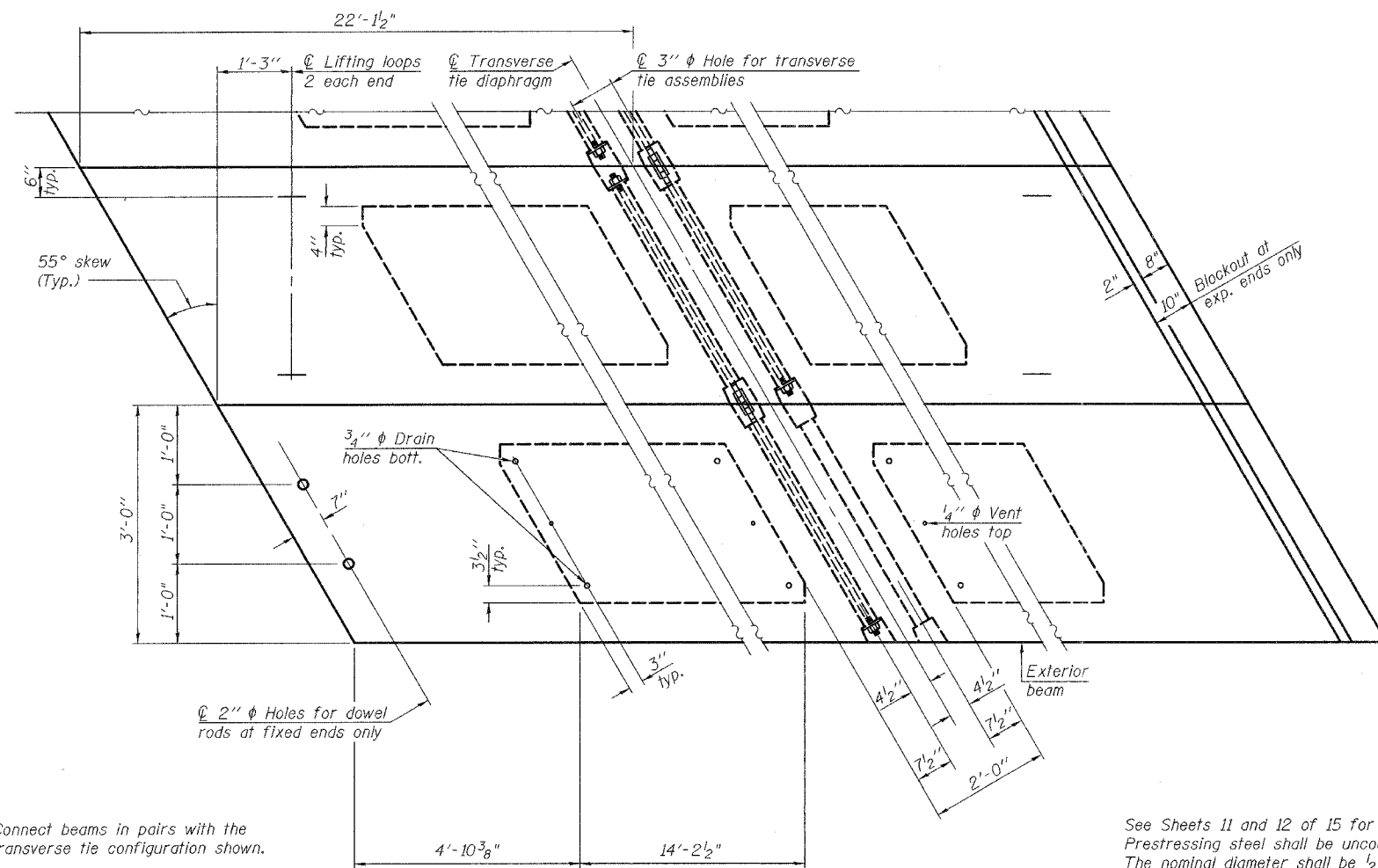
FABRIC BEARING PAD
(Interior)
(36 Required)

FABRIC BEARING PAD
(Exterior and Stage Constr. Line)
(16 Required)

EXPANSION



LIFTING LOOP DETAIL



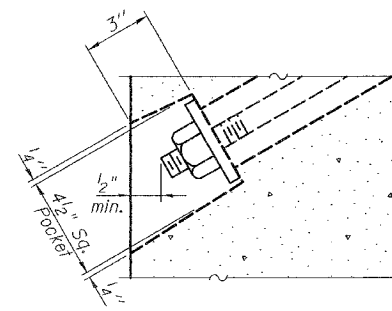
PLAN VIEW

Note: Connect beams in pairs with the transverse tie configuration shown.

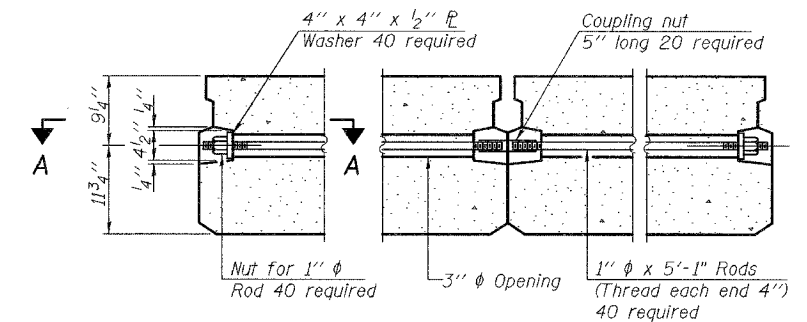


DESIGNED	YSS
CHECKED	RLM
DRAWN	PRC
CHECKED	YSS

04/29/08



SECTION A-A



TYPICAL TRANSVERSE TIE ASSEMBLY

NOTES

- See Sheets 11 and 12 of 15 for fascia beam modifications for rail post anchorage.
- Prestressing steel shall be uncoated high strength, low relaxation 7-wire strand, Grade 270. The nominal diameter shall be 1/2" and the nominal cross-sectional area shall be 0.153 sq. in. The 1" rods in the transverse tie assembly shall be tightened to a snug fit and the threads set. Pockets on exterior faces of bridge shall be filled with grout after transverse tie assembly is in place.
- Two 1/8" fabric adjusting shims of the dimensions of the exterior bearing pad shall be provided for each bearing pad location.
- A minimum 2 1/2" diameter lifting pin shall be used to engage the lifting loops during handling.
- Lifting loops shall be burned off after beams have been erected.
- Corrosion Inhibitor, per Article 1020.05(b)(12) and 1021.06 of the Standard Specifications, shall be used in the concrete for precast prestressed concrete deck beams.
- Compressive strength of prestressed concrete, f'c, shall be 6000 psi.
- Compressive strength of prestressed concrete at release, f'cl, shall be 5000 psi.
- The top surface of the beams shall be finished according to the IDOT Manual for Fabrication of Precast Prestressed Concrete Products.

BILL OF MATERIAL

Precast Prestressed Conc. Deck Bms. (21" Depth)	Sq. Ft.	2,921
---	---------	-------

21" X 36" DECK BEAM DETAILS - 2
ILL. ROUTE 146 OVER SUGAR CREEK
F.A.P. ROUTE 885 - SECTION 111BR-1
POPE COUNTY
STATION 671+76.00
STRUCTURE NO. 076-0006