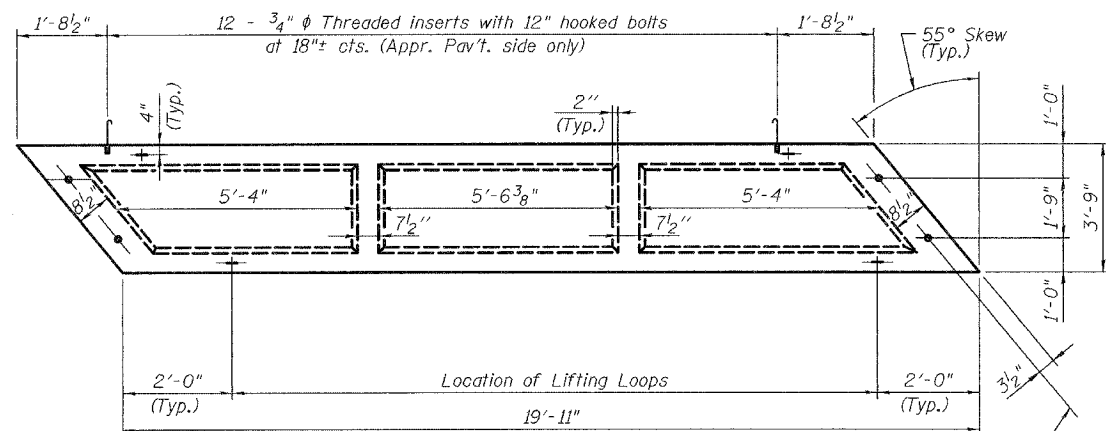


STATE OF ILLINOIS
DEPARTMENT OF TRANSPORTATION

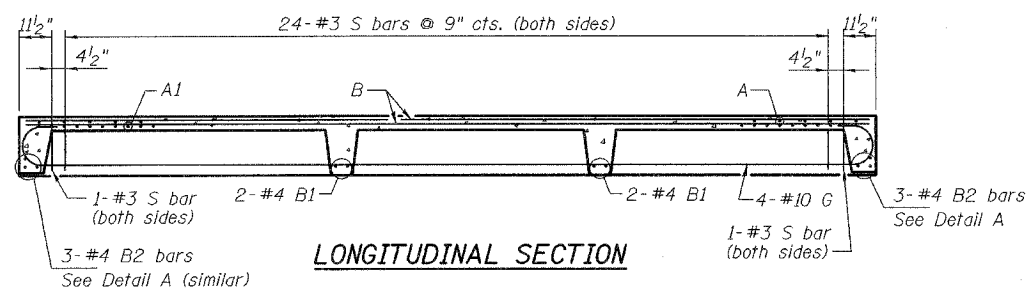
ROUTE NO.	SECTION	COUNTY	TOTAL SHEETS	SHEET NO.	SHEET NO. 8 15 SHEETS
F.A.P. 885	111BR-1	POPE	69	19	
FED. ROAD DIST. NO. 7	ILLINOIS	FED. AID PROJECT			

Contract #78033

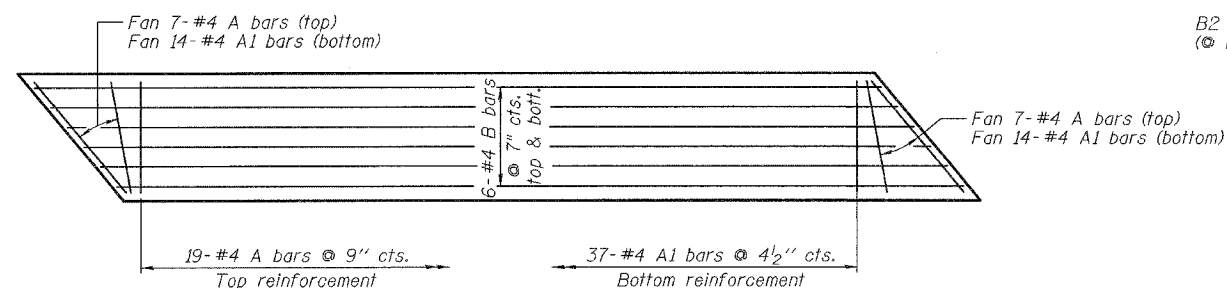


TYPICAL PLAN OF BRIDGE SLAB

(4 Required: 2 Right Hand Units and 2 Left Hand Units)

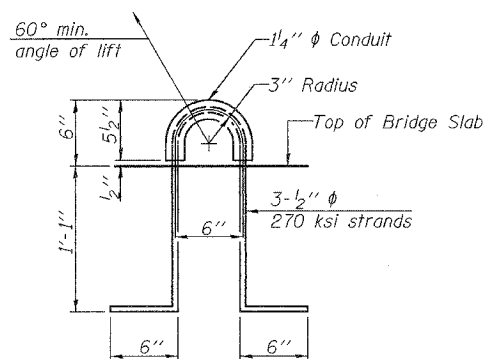


LONGITUDINAL SECTION

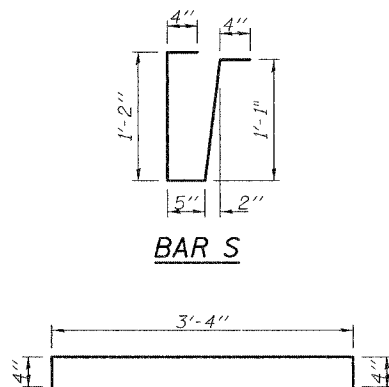


PLAN

Showing Slab Reinforcement

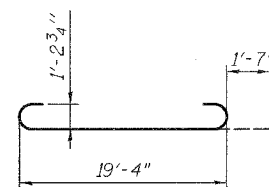


LIFTING LOOP DETAIL



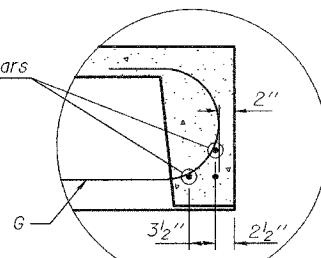
BAR S

BAR A



BAR G

Weld ends of G bars to B2 bars with full bead weld

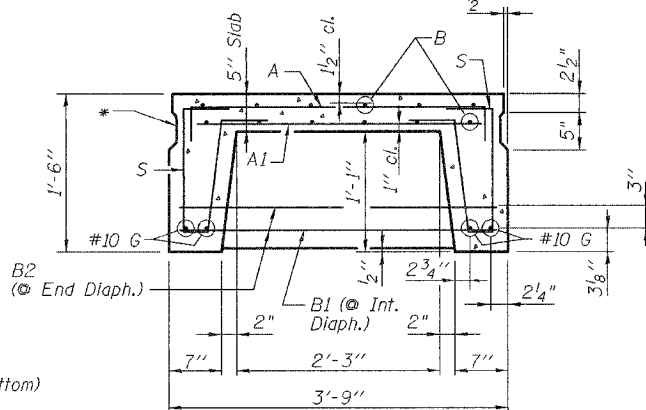


DETAIL A

Notes:

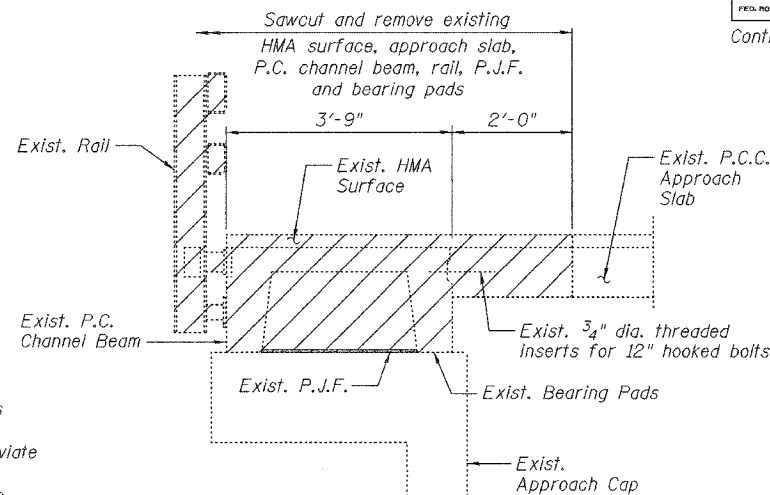
Horizontal dimensions are at right angles to slab ends.

The surface of the member shall not deviate more than 1/1200 of the full length of the member from a straight line connecting the two end points on the member's surface.

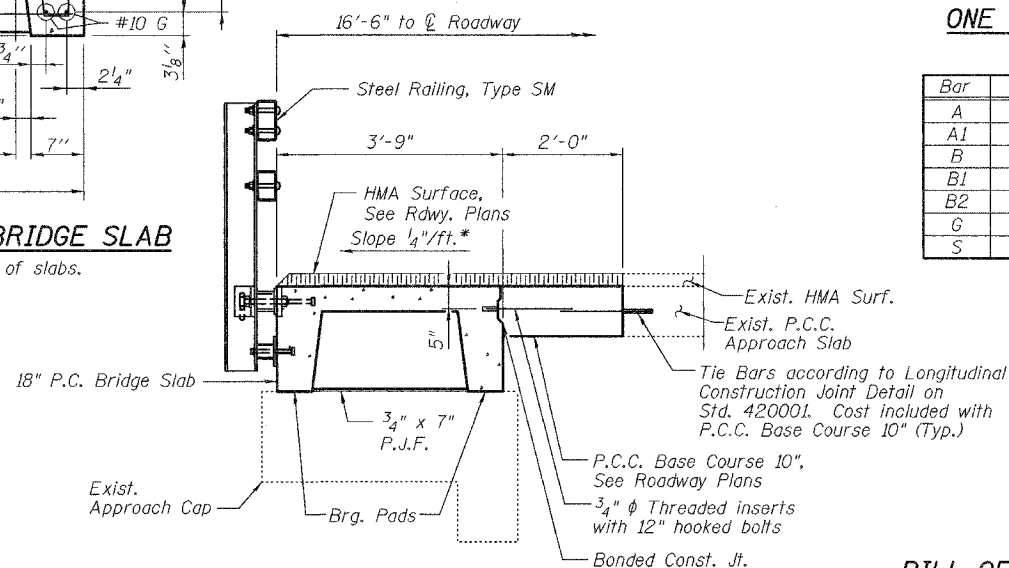


TYPICAL SECTION THRU BRIDGE SLAB

* Omit key on exterior face of slabs.

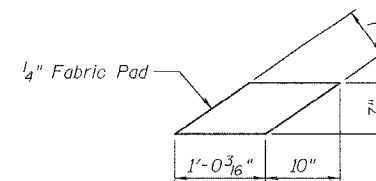


LIMITS OF REMOVAL AT APPROACH SHOULDERS



PROPOSED CROSS SECTION

* Cross slope shown applies to HMA Surface



BEARING PAD

(16 Required)

NOTES

Lifting loops shall be burned off after bridge slabs have been erected. The bearing seat surfaces shall be adjusted by shimming to assure firm and even bearing. Two 1/8 inch fabric adjusting shims of the dimensions of the Bearing Pad shall be provided for each bearing. Keyway surfaces shall be cleaned to remove form oil or other bond breaking material prior to shipment of bridge slabs. Cleaning shall be done by sandblasting the keyway areas between the top of the bridge slabs and the bottom edge of the key.

Corrosion Inhibitor, per Article 1020.05(b)(12) of the Standard Specifications, shall be used in the concrete for precast concrete bridge slabs.

See Sheets 11 and 12 of 15 for required modifications for rail anchorage.

The precast concrete bridge slab shall be erected and aligned with the exterior face of the fascia deck beam after deck beams are in final position.

Cost of removing exist. P.C. channel beam, HMA Surface, and rail included with Removal of Exist. Precast Concrete Units. See Roadway Plans for measurements and payment for Approach Slab Removal and Replacement.

BAR LIST

ONE BRIDGE SLAB ONLY

(For information only)

Bar	No.	Size	Length	Shape
A	33	#4	4'-0"	□
A1	65	#4	3'-3"	—
B	12	#4	19'-4"	—
B1	4	#4	3'-6"	—
B2	6	#4	6'-1"	—
G	4	#10	22'-6"	⌋
S	52	#3	3'-4"	⌋

BILL OF MATERIAL

Item	Unit	Quantity
Precast Concrete Bridge Slab	Sq. Ft.	299

PRECAST CONCRETE BRIDGE SLAB
ILL. ROUTE 146 OVER SUGAR CREEK
F.A.P. ROUTE 885 - SECTION 111BR-1

POPE COUNTY
STATION 671+76.00
STRUCTURE NO. 076-0006



DESIGNED	YSS
CHECKED	RLM
DRAWN	PRC
CHECKED	YSS

04/22/08

Notes:
Tack welding of stirrups to bottom longitudinal reinforcement bars will not be permitted except as otherwise authorized in writing by the Engineer.