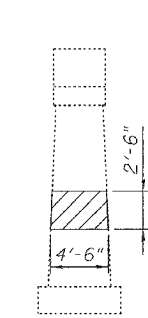


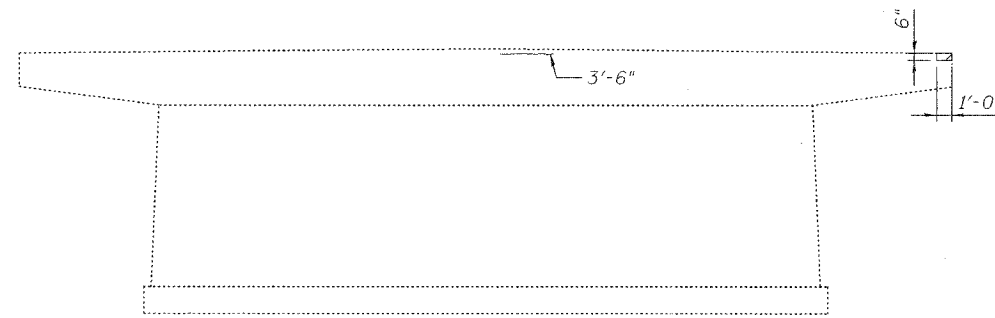
STATE OF ILLINOIS
DEPARTMENT OF TRANSPORTATION

ROUTE NO.	SECTION	COUNTY	TOTAL SHEETS	SHEET NO.	SHEET NO. 14
F.A.P. 885	111BR-1	POPE	69	25	15 SHEETS
FED. ROAD DIST. NO. 7	ILLINOIS	FED. AID PROJECT-			

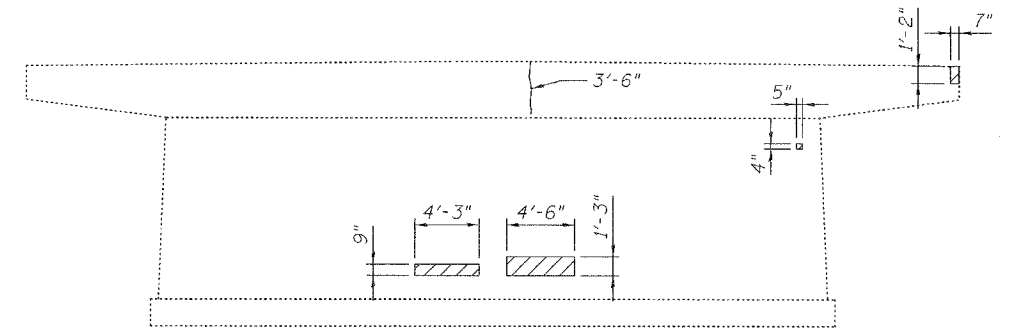
Contract #78033



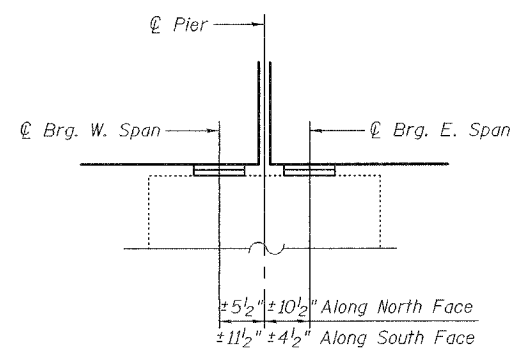
**SOUTH
END VIEW**



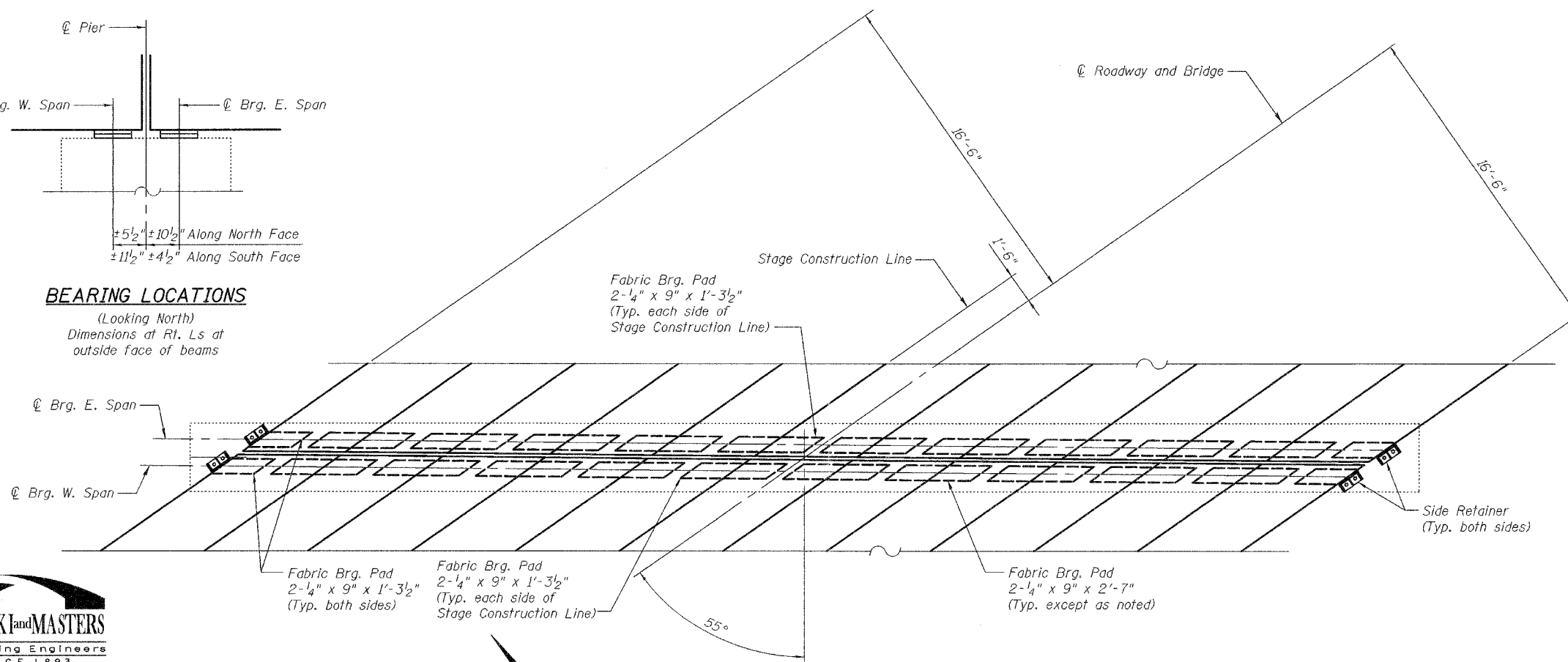
ELEVATION - PIER - EAST FACE
(Looking West)



ELEVATION - PIER - WEST FACE
(Looking East)



BEARING LOCATIONS
(Looking North)
Dimensions at Rt. Ls at
outside face of beams



PLAN - PIER BEARING SEAT

Bituminous wearing surface not shown for clarity.

BILL OF MATERIAL

Item	Unit	Total
Structural Repair of Concrete (Depth Equal to or less than 5 inches)	Sq. Ft.	26
Concrete Sealer	Sq. Ft.	26
Epoxy Crack Injection	Foot	31

LEGEND

- Structural Repair of Concrete (Depth equal to or less than 5")
- Crack Length
- Epoxy Crack Injection

Note:
Concrete sealer shall be applied to concrete repair areas.

PIER REPAIR
ILL. ROUTE 146 OVER SUGAR CREEK
F.A.P. ROUTE 885 - SECTION 111BR-1
POPE COUNTY
STATION 671+76.00
STRUCTURE NO. 076-0006



DESIGNED	YSS
CHECKED	RLM
DRAWN	PRC
CHECKED	YSS

03/18/08