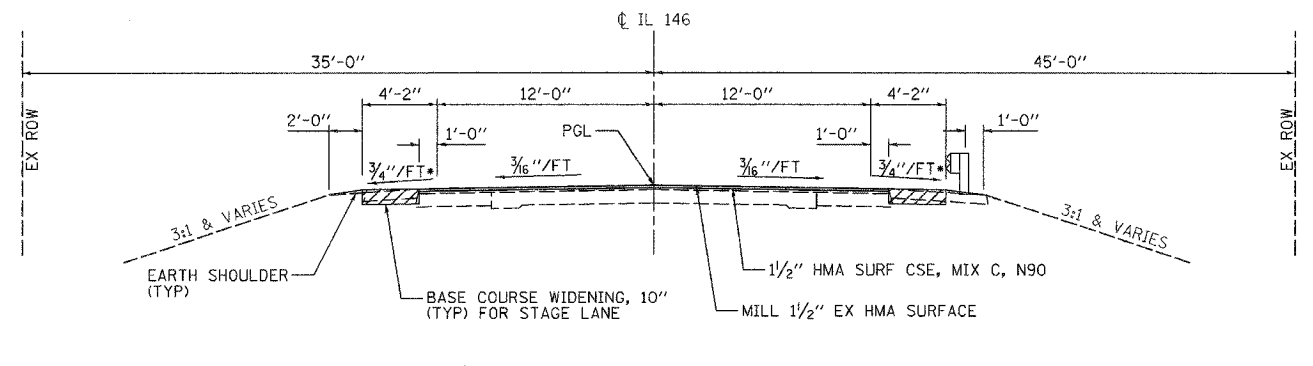


WITHOUT GUARDRAIL

WITH GUARDRAIL

**EXISTING TYPICAL ROADWAY SECTION**

STA 816+05 TO STA 817+62  
STA 818+45 TO STA 819+90



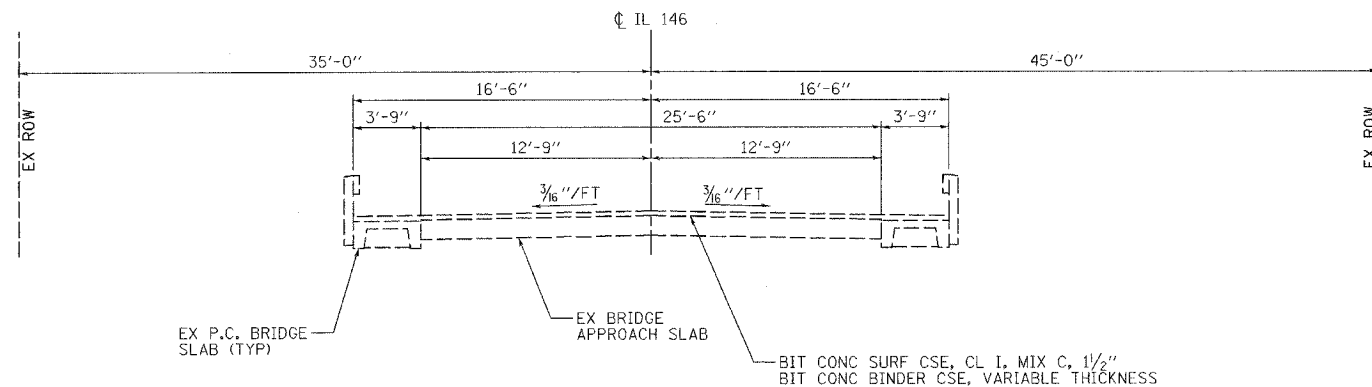
WITHOUT GUARDRAIL

WITH GUARDRAIL

**PROPOSED TYPICAL ROADWAY SECTION**

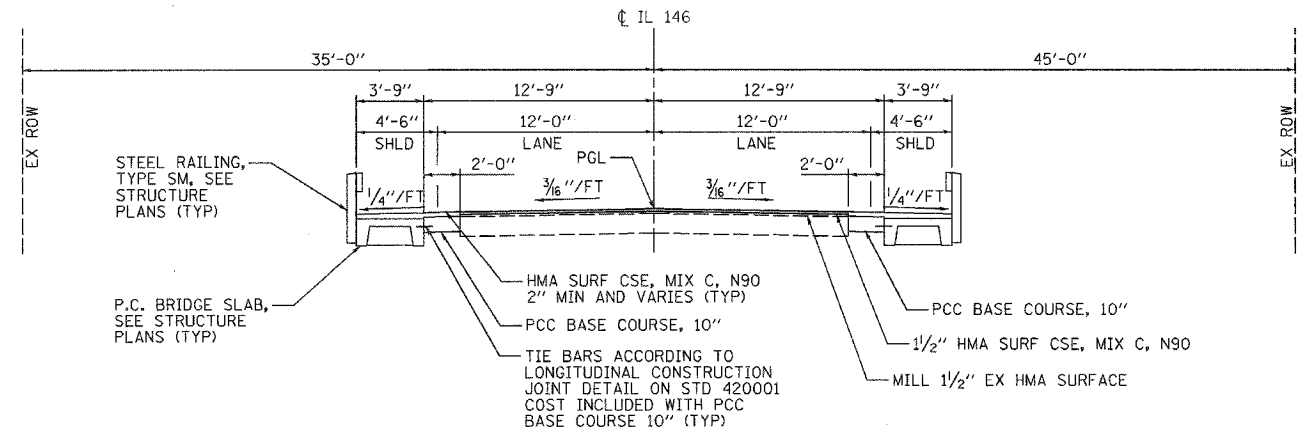
STA 816+05 TO STA 817+62  
STA 818+45 TO STA 819+90

\*TRANSITION TO 1/4"/FT  
NEAR P.C. BRIDGE SLABS



**EXISTING BRIDGE APPROACH SECTION**

STA 817+62 TO BRIDGE  
BRIDGE TO STA 818+45



**PROPOSED BRIDGE APPROACH SECTION**

STA 817+62 TO BRIDGE  
BRIDGE TO STA 818+45

**HMA MIXTURE REQUIREMENTS**

LOCATION(S):	BASE COURSE WIDENING	HOT MIX ASPHALT SURFACE COURSE
MIXTURE USE(S):	HOT MIX ASPHALT BINDER COURSE, N90, IL-19.0	HOT MIX ASPHALT SURFACE COURSE, MIX C, N90
AC/PG:	PG64-22	PG64-22
RAP % (MAX):	10	10
DESIGN AIR VOIDS:	4.0%, 90 GYRATION DESIGN	4.0%, 90 GYRATION DESIGN
MIXTURE COMPOSITION: (GRADATION MIXTURE)	IL-19.0 mm	IL-9.5 mm OR IL-12.5 mm
FRICTION AGGREGATE:	NONE	C SURFACE



FILE NAME =	USER NAME = #USER#	DESIGNED - JAH	REVISED -	<b>STATE OF ILLINOIS DEPARTMENT OF TRANSPORTATION</b>	<b>FAP ROUTE 885 (IL 146) TYPICAL SECTIONS</b>	F.A.P. RTE.	SECTION	COUNTY	TOTAL SHEETS	SHEET NO.
*FILES#	PLOT SCALE = #SCALE#	DRAWN - GDO	REVISED -			885	111BR-2	POPE	69	41
	PLOT DATE = #DATE#	CHECKED - JAH	REVISED -			CONTRACT NO. 78033				
		DATE -	REVISED -			FED. ROAD DIST. NO. 7 ILLINOIS FED. AID PROJECT				
				SCALE: NONE		SHEET NO. 1 OF 1 SHEETS		STA. TO STA.		