

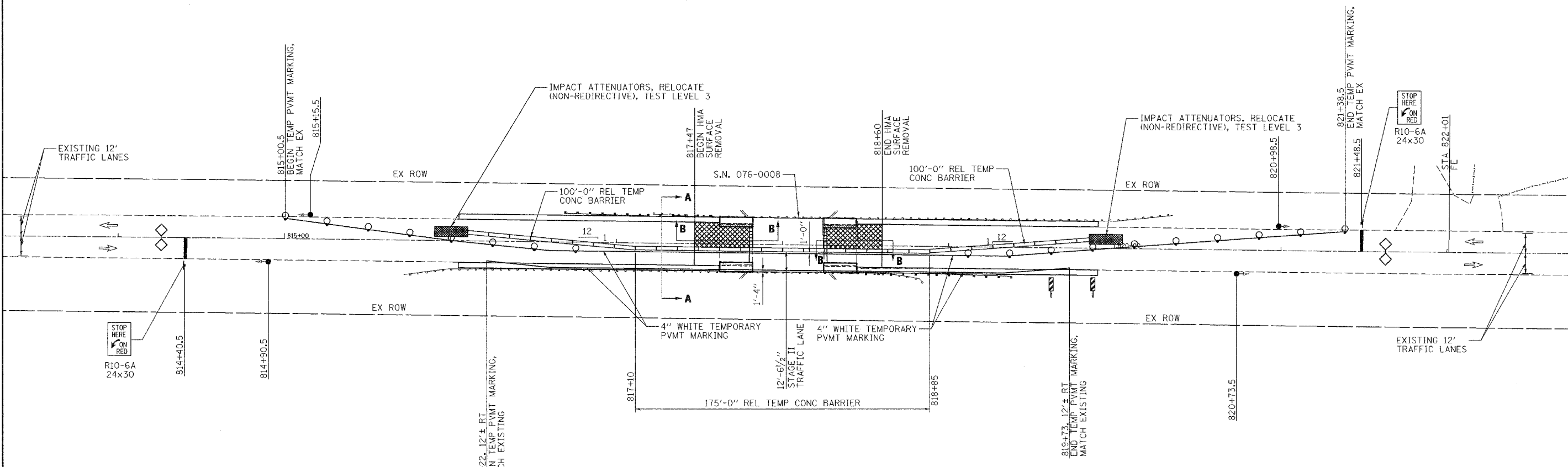
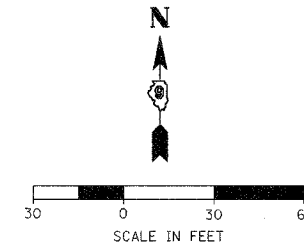
SCHEDULE OF QUANTITIES

RELOCATE TEMPORARY CONCRETE BARRIER
 STATION TO STATION FEET
 816+10 819+85 375

IMPACT ATTENUATORS, RELOCATE (NON-REDIRECTIVE), TEST LEVEL 3 - 2 EACH

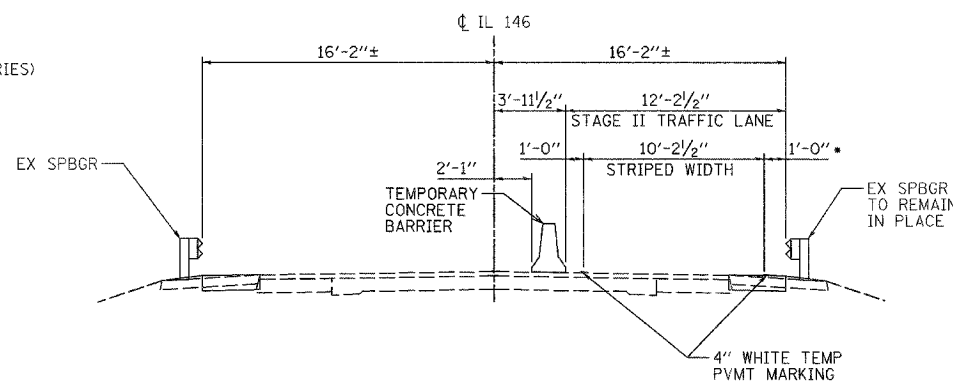
NOTES:

1. TRAFFIC CONTROL SHALL BE ERECTED AS SHOWN AND ACCORDING TO "TRAFFIC CONTROL AND PROTECTION, STANDARD 701321."
2. SEE SPECIAL PROVISIONS FOR ADDITIONAL TRAFFIC CONTROL REQUIREMENTS.
3. COORDINATE LOCATION OF SIGNALS WITH FINAL WORK AS DIRECTED BY THE ENGINEER.
4. MAINTAIN TEMPORARY RUMBLE STRIPS AT LOCATIONS SHOWN ON STANDARD 701321.

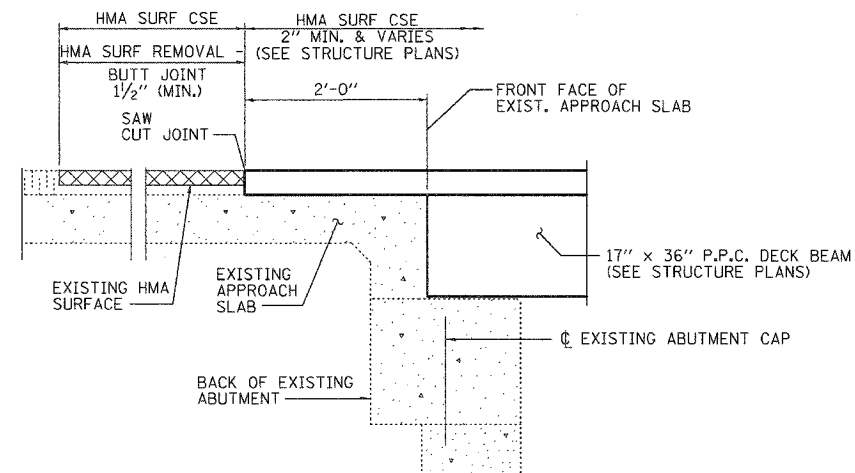


LEGEND

- TRAFFIC SIGNAL
- DRUM WITH STEADY BURNING LIGHT
- ▨ BASE COURSE WIDENING, 10"
- ▩ HMA SURFACE REMOVAL - BUTT JOINT
- ▧ HMA SURFACE REMOVAL (2" MIN & VARIES)
- ▦ PAVEMENT REMOVAL



SECTION A-A
 • 1'-4" ON STRUCTURE



SECTION B-B

NOTE:
 HORIZONTAL DIMENSION SHOWN IS AT RIGHT ANGLES TO BEAM ENDS.

EDSI
 ENGINEERING DESIGN SOURCE, INC.
 16141 SWINGLEY RIDGE RD
 CHESTERFIELD, MO, 63017
 SUITE 300
 (636) 537-5585

FILE NAME =	USER NAME = #USER#	DESIGNED - JAH	REVISED -
#FILES#		DRAWN - GDO	REVISED -
	PLOT SCALE = #SCALE#	CHECKED - JAH	REVISED -
	PLOT DATE = #DATE#	DATE -	REVISED -

STATE OF ILLINOIS
DEPARTMENT OF TRANSPORTATION

FAP ROUTE 885 (IL 146) STAGE II CONSTRUCTION

F.A.P. RTE.	SECTION	COUNTY	TOTAL SHEETS	SHEET NO.
885	111BR-2	POPE	69	45
CONTRACT NO. 78033				
FED. ROAD DIST. NO. 7 ILLINOIS FED. AID PROJECT				

SCALE: 1"=30' SHEET NO. 2 OF 2 SHEETS STA. 813+30 TO STA. 822+75