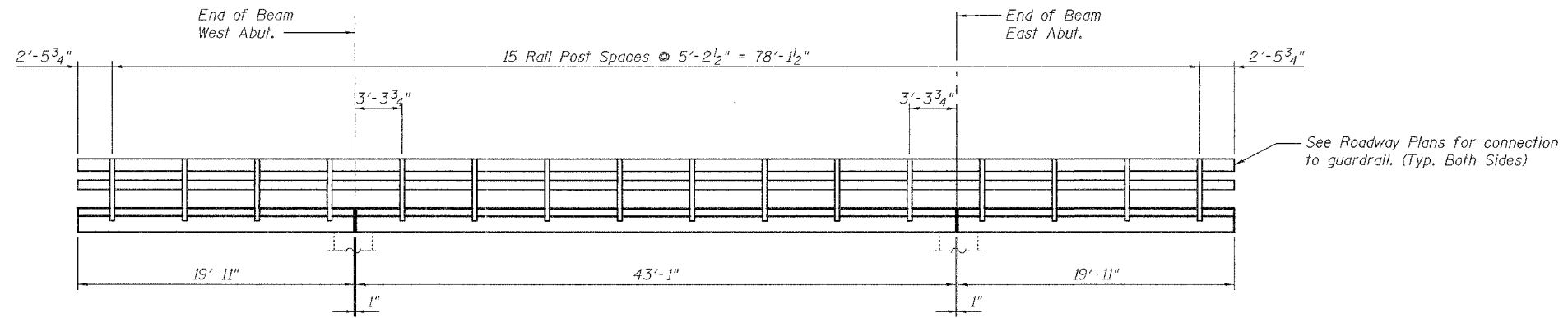


STATE OF ILLINOIS
DEPARTMENT OF TRANSPORTATION

ROUTE NO.	SECTION	COUNTY	TOTAL SHEETS	SHEET NO.	SHEET NO. 10
F.A.P. 885	111BR-2	POPE	69	58	11 SHEETS
FED. ROAD DIST. NO. 7	ILLINOIS		FED. AID PROJECT-		

Contract #78033



RAIL POST SPACING DETAIL

South Elevation shown, North Elevation opposite hand



DESIGNED	YSS
CHECKED	RLM
DRAWN	PRC
CHECKED	RLM

03/17/08

RAIL POST SPACING
ILL. ROUTE 146 OVER ROOT LICK BRANCH
F.A.P. ROUTE 885 - SECTION 111BR-2
POPE COUNTY
STATION 818+03.50
STRUCTURE NO. 076-0008