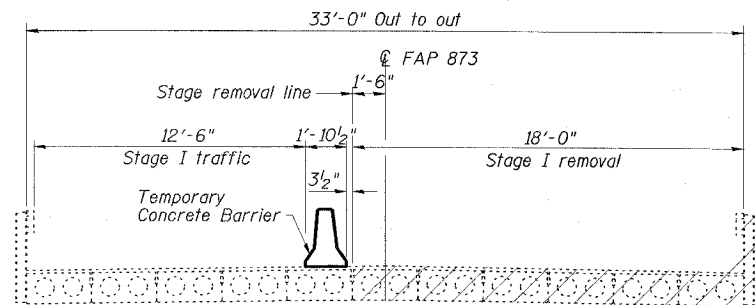
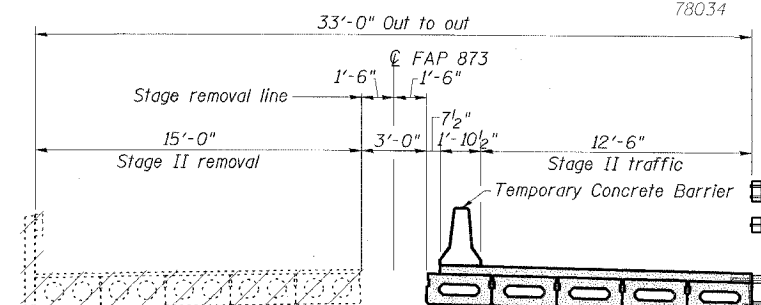


STATE OF ILLINOIS
DEPARTMENT OF TRANSPORTATION

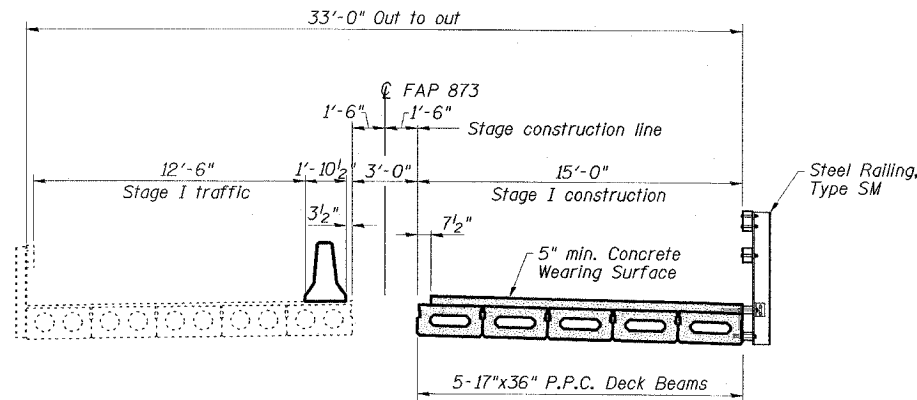
ROUTE NO.	SECTION	COUNTY	DATE	SHEET	SHEET NO. 3 16 SHEETS
FAP 873	107BR-1	FRANKLIN	73	14	
FED. ROAD DIST. NO. 4	ILLINOIS FEDERAL PROJECT				



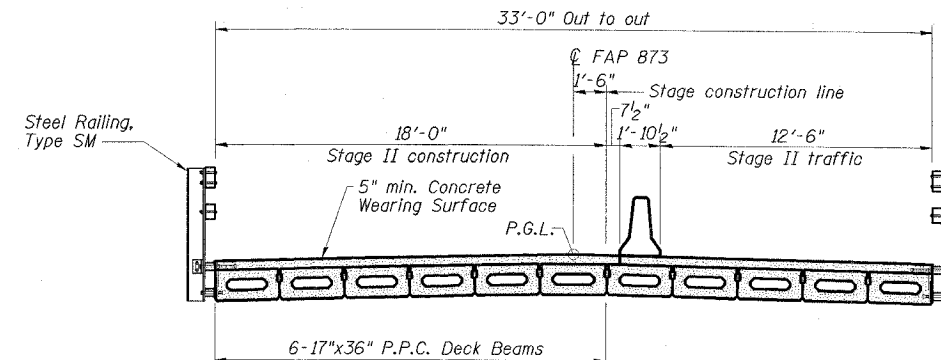
STAGE I REMOVAL



STAGE II REMOVAL



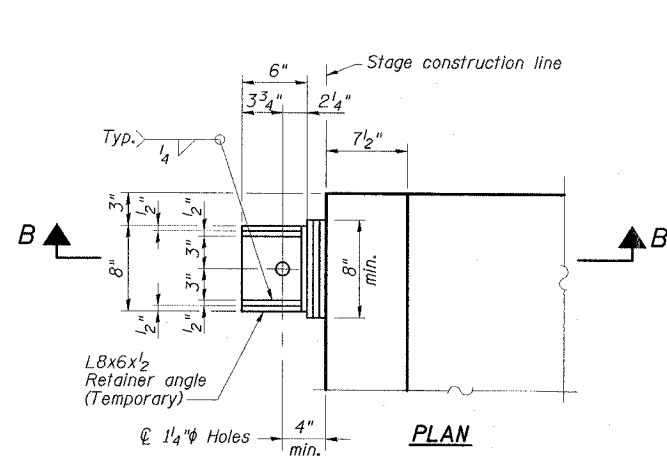
STAGE I CONSTRUCTION



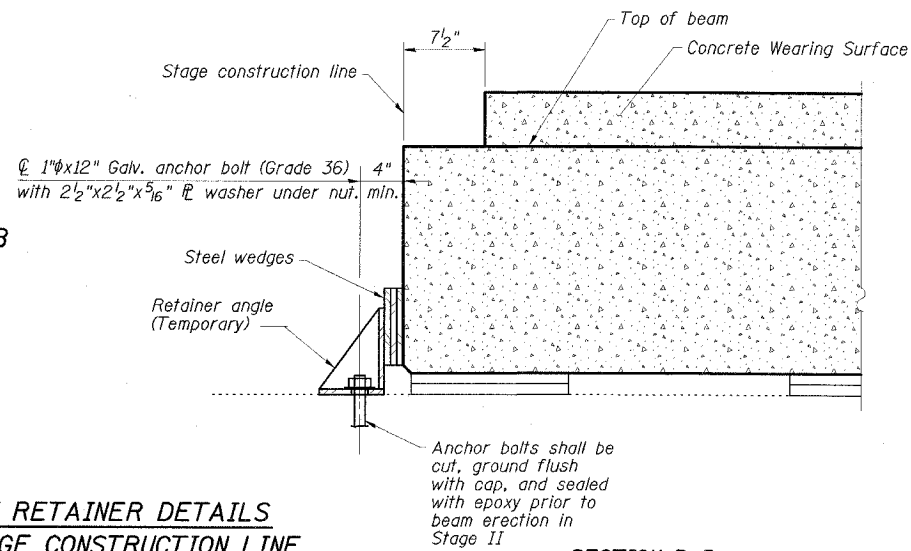
STAGE II CONSTRUCTION

STAGE CONSTRUCTION NOTES

1. All staging sections are looking west.
2. See Sht. No. 5 of 16 for shear key clamping details.
3. For quantity of Temporary Concrete Barrier, see Roadway Plans.



**BEAM RETAINER DETAILS
AT STAGE CONSTRUCTION LINE**
(1 Required at West Abutment)



Cost of retainer angles, anchor bolts & accessories is included with Precast Prestressed Concrete Deck Beams.

STAGE CONSTRUCTION DETAILS
IL 149 OVER TILLEY CREEK
FAP ROUTE 873 - SECTION 107BR-1
FRANKLIN COUNTY
STATION 1060+46.00
STRUCTURE NO. 028-0040

ESCA CONSULTANTS, INC.		
DESIGNED BY:	ELH	02/08
DRAWN BY:	HAS	02/08
CHECKED BY:	JMS	02/08
APPROVED BY:	RDP	02/08