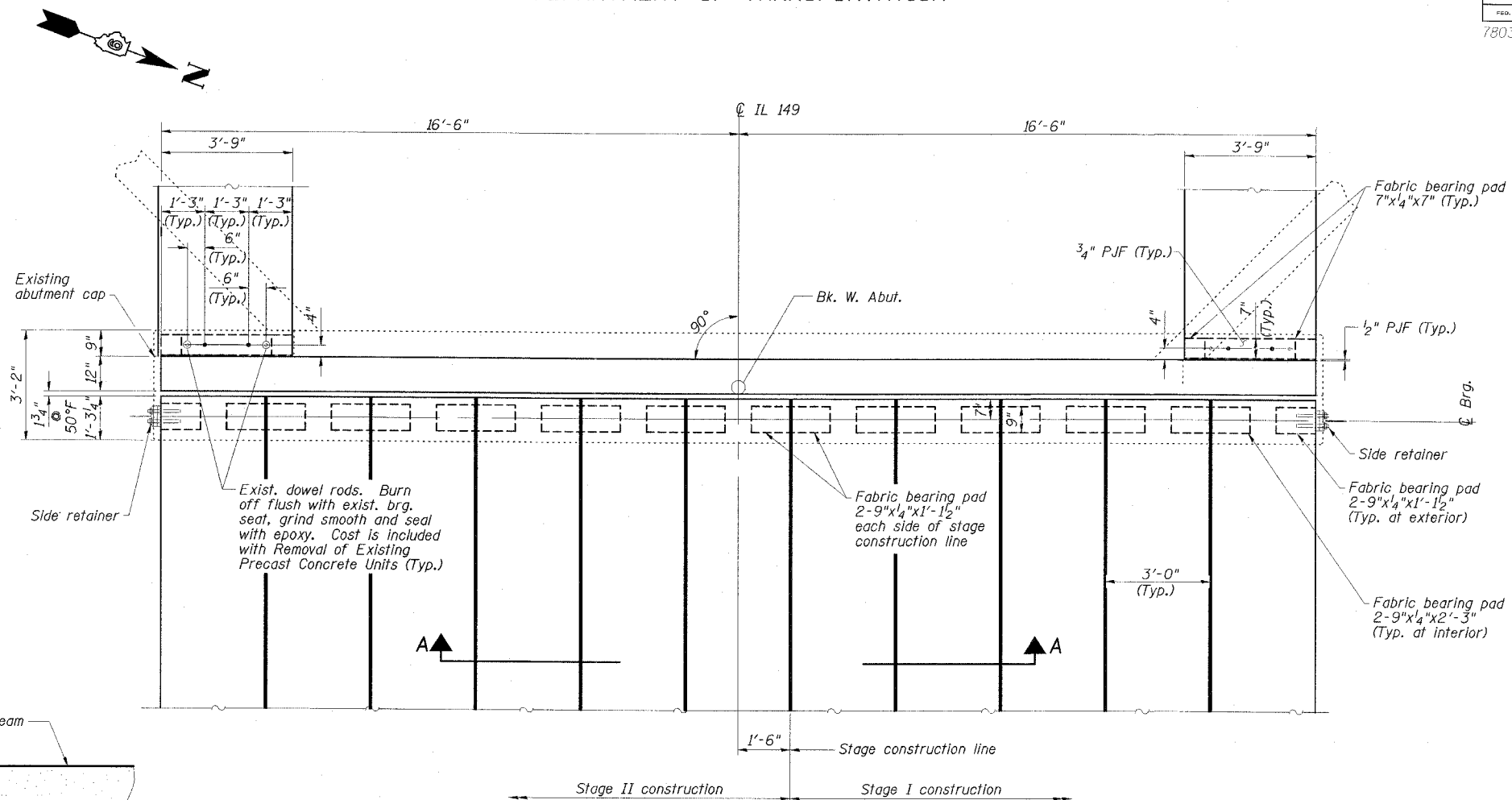


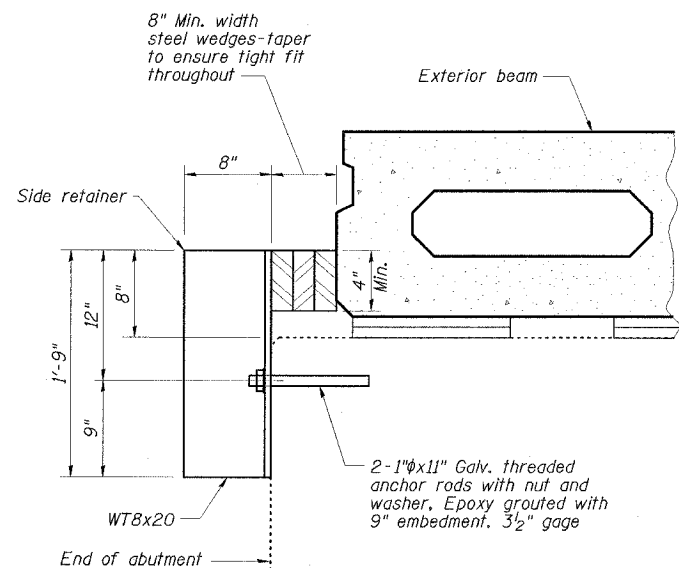
STATE OF ILLINOIS
DEPARTMENT OF TRANSPORTATION

ROUTE NO. 873	SECTION 107BR-1	COUNTY FRANKLIN	SHEET NO. 73	SHEET NO. 24	SHEET NO. 13 16 SHEETS
FED. ROAD DIST. NO. 9		ILLINOIS	FED. AID PROJECT		

78034

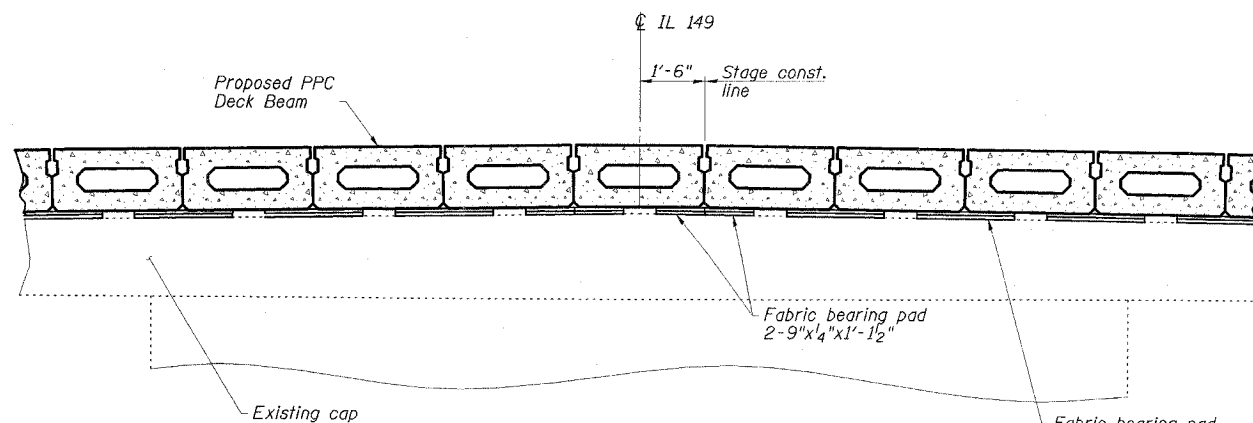


WEST ABUTMENT BEARING SEAT PLAN
(Concrete Wearing Surface and approach pavement not shown)



EXTERIOR BEAM SIDE RETAINER DETAILS
(2 Required)

Cost of retainer & accessories are included with
Precast Prestressed Concrete Deck Beams.



SECTION A-A
(Concrete Wearing Surface not shown)

WEST ABUTMENT DETAILS
IL 149 OVER TILLEY CREEK
FAP ROUTE 873 - SECTION 107BR-1
FRANKLIN COUNTY
STATION 1060+46.00
STRUCTURE NO. 028-0040

ESCA
CONSULTANTS, INC.

DESIGNED BY:	ELH	02/08
DRAWN BY:	HAS	02/08
CHECKED BY:	JMS	02/08
APPROVED BY:	RDP	02/08