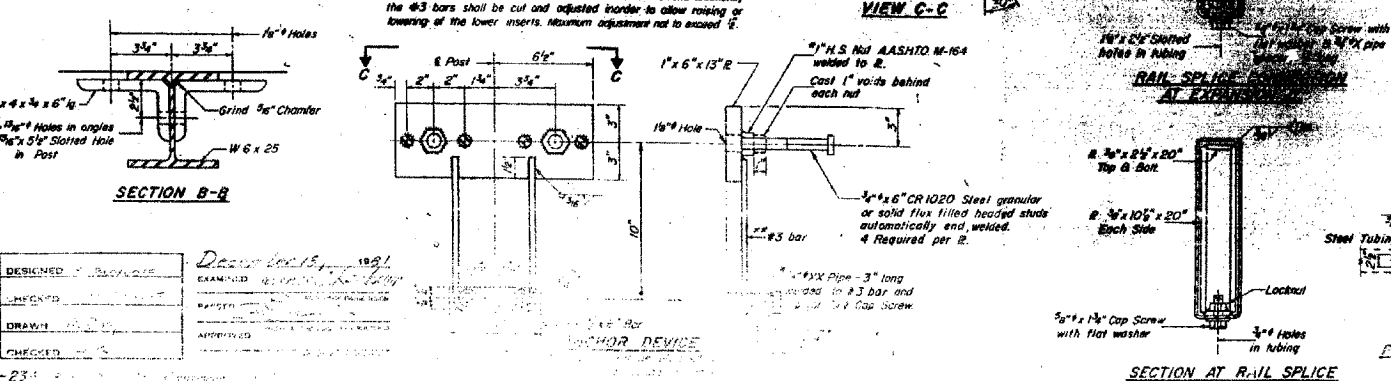
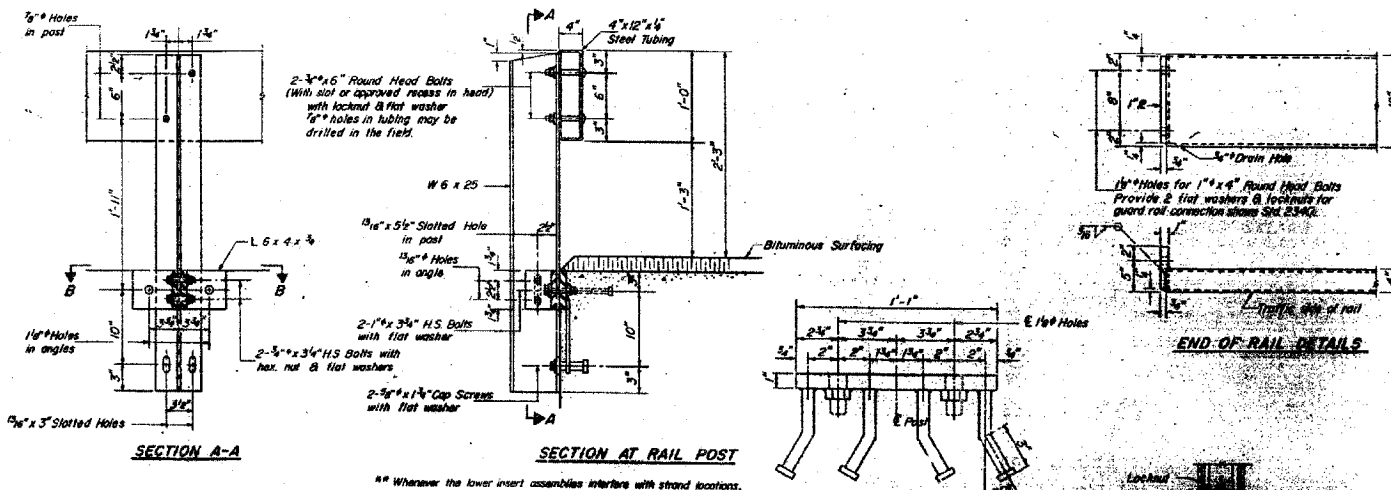
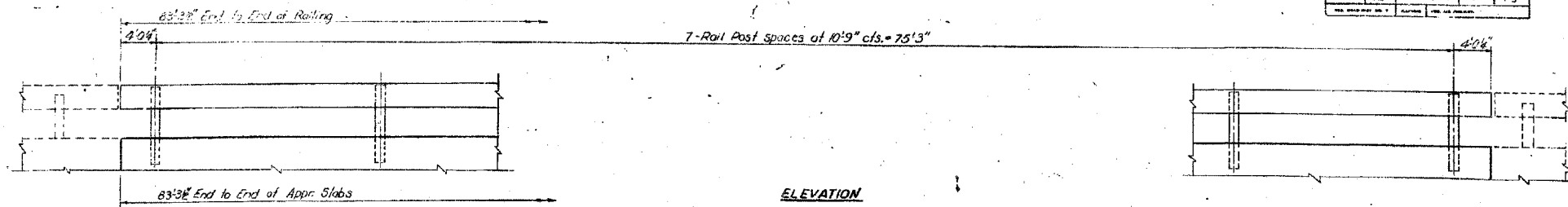


STATE OF ILLINOIS
DEPARTMENT OF TRANSPORTATION

DESIGNED BY	DATE	PROJECT	SCALE	SHEET NO.
DAJ	10/18/08	FRANKLIN	1/8"	9 SHEETS
DRAWN BY	DATE	PROJECT	SCALE	SHEET NO.
HAS	10/18/08	FRANKLIN	1/8"	9 SHEETS
CHECKED BY	DATE	PROJECT	SCALE	SHEET NO.
MTD	10/18/08	FRANKLIN	1/8"	9 SHEETS
APPROVED BY	DATE	PROJECT	SCALE	SHEET NO.
RDP	10/18/08	FRANKLIN	1/8"	9 SHEETS



NOTES

Hollow structural steel tubing shall conform to the requirements of A.S.T.M. designation A-500 Grade B Structural Steel Tubing.

All other steel shapes and plates shall conform to the requirements of AASHTO M-83 except posts and angles shall conform to AASHTO M-223, Grade 50.

Bolts, cap screws, and nuts shall conform to the requirements of A.S.T.M. designation A-307 except for high strength bolts, nuts and washers noted which shall conform to AASHTO M-594R.

All bolts, nuts, cap screws, washers and lock washers shall be galvanized in accordance with AASHTO M-238.

All posts, railing, rail splices, anchor devices and angles shall be galvanized after shop fabrication in accordance with AASHTO M-11 and ASTM A-305. Galvanized rail shall not be painted.

Railing shall be in accordance with Section 500 of the Standard Specifications, except as noted, and shall be paid for at the contract unit price per lineal foot for STEEL RAILING, TYPE S-1.

All field drilled holes shall be coated with an approved zinc rich paint before erection.

The lower portion of the post flange in contact with concrete shall receive two coats of epoxy paint conforming to Section 714.08 Type B or other 1/2" thick "epoxy joint filler" and "precast" concrete.

The 4" high strength bolts used to connect the 6" x 6" angles to the post shall be tightened in accordance with Article 502.02(1)(c) of the Standard Specifications. The 1/4" high strength bolts connecting the angles to the concrete shall be tightened to a snug fit and then an additional 1/4 turn. The 1/2" cap screws in bottom of posts shall be tightened to a snug fit only.

BILL OF MATERIAL

Item	Unit	Quantity
Steel Railing, Type S-1	Lin. Ft.	167

TYPE S-1
STEEL RAILING
FA. RT. 873 SEC. 107B-DR
FRANKLIN COUNTY
STA. 1060+46.00

DESIGNED BY	DAJ	03/08
DRAWN BY	HAS	03/08
CHECKED BY	MTD	03/08
APPROVED BY	RDP	04/08