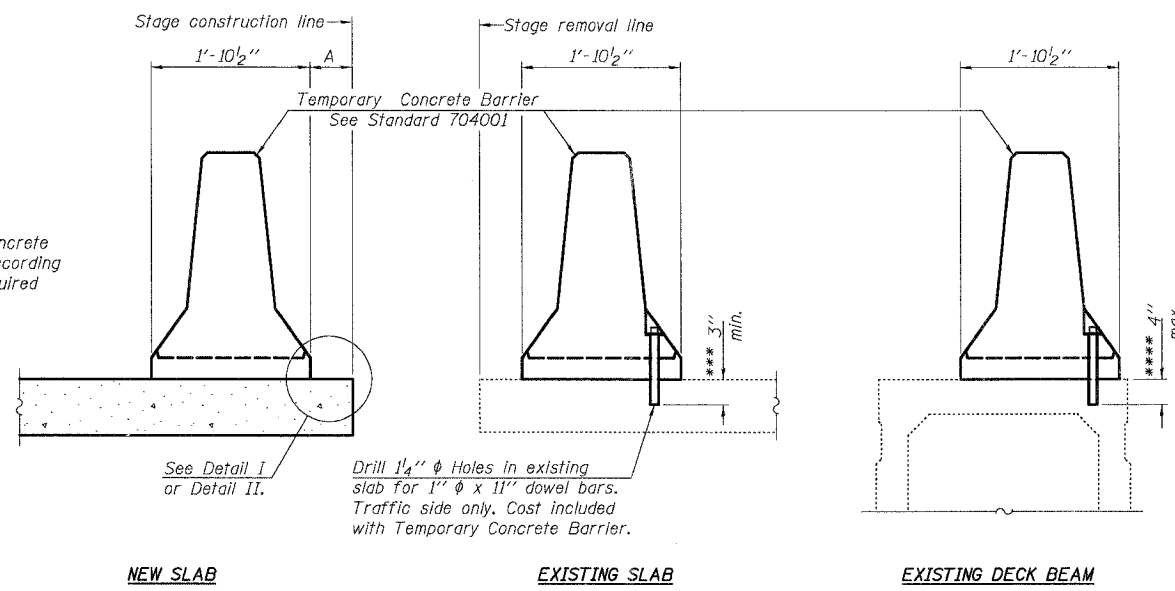


ROUTE NO.	SECTION	COUNTY	TOTAL SHEETS	SHEET NO.
FA 782	111BR-1	GALLATIN	73	52
FED. ROAD DIST. NO. 7	DISTRICT	FED. AID PROJECT		

SHEET NO. 3  
14 SHEETS

Contract #78034

When "A" is 3'-6" or less, the temporary concrete barrier shall be anchored to the new slab according to Detail I or Detail II. No anchorage is required when "A" is greater than 3'-6".



SECTIONS THRU SLAB OR DECK BEAM

**NOTES**

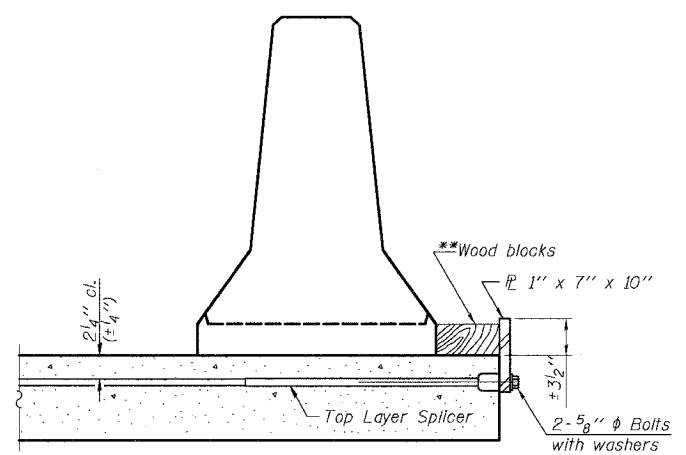
Detail I - With Bar Splicer or Couplers:  
Connect one (1) 1"x7"x10" steel PL to the top layer of couplers with 2-5/8" φ bolts screwed to coupler at approximate C of each barrier panel.

Detail II - With Extended Reinforcement Bars:  
Connect one (1) 1"x7"x10" steel PL to the concrete slab or concrete wearing surface with 2-5/8" φ Expansion Anchors or cast in place inserts spaced between the top layer of reinforcement at approximate C of each barrier panel.

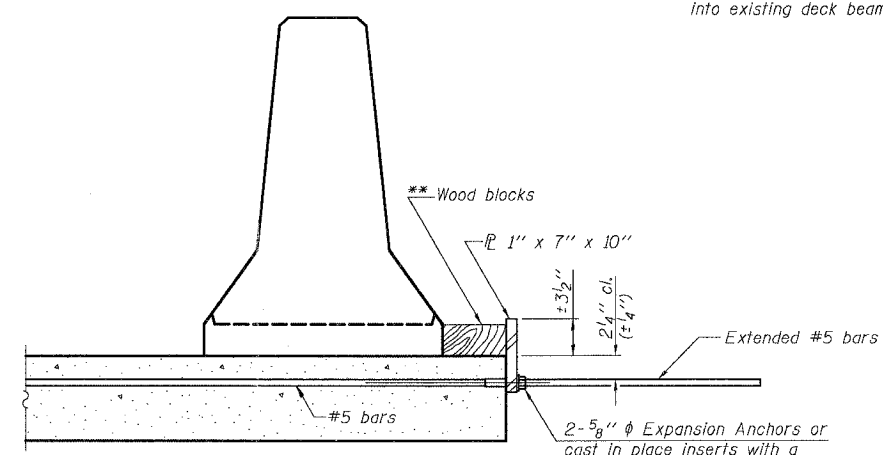
Cost of anchorage is included with Temporary Concrete Barrier. The 1" x 7" x 10" plate shall not be removed until stage II construction forms and all reinforcement bars are in place and the concrete is ready to be placed.

\*\*\* Dimension shown is minimum required embedment into concrete. If hot-mix asphalt wearing surface is present, minimum embedment shall be in addition to wearing surface depth.

\*\*\*\* If existing deck beam is to remain in place after stage construction, embedment shall only be into wearing surface and not into existing deck beam concrete.

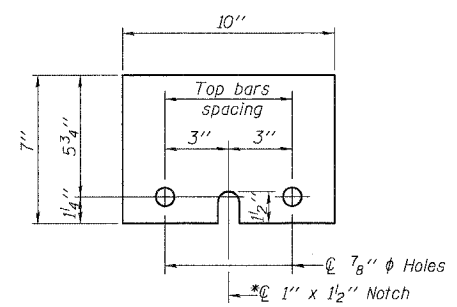


DETAIL I



DETAIL II

\*\* Wood blocks may be omitted when required to provide minimum stage traffic lane width. When the wood blocks are omitted, the concrete barrier shall be in direct contact with the steel retainer plate.



STEEL RETAINER PL 1" x 7" x 10"  
\* Required only with Detail II

**TEMPORARY CONCRETE BARRIER  
FOR STAGED CONSTRUCTION  
F.A. RT. 782 SECTION 111BR-1  
GALLATIN COUNTY  
STATION 355+95.00  
STRUCTURE NO. 030-0018**

PROJECT NO.	07056-4
DATE	4/17/08
DRAWN BY	TFG
CHECKED BY	GB/BD/MCB

COOMBE-BLOXDORF P.C.  
Engineers / Land Surveyors  
Springfield, Illinois  
Design Firm License No. 184-002703

PLOT DATE = 04/17/2008  
PLOT SCALE = 1/8" = 1'-0"  
USER NAME = CFC

R-27 9-3-07