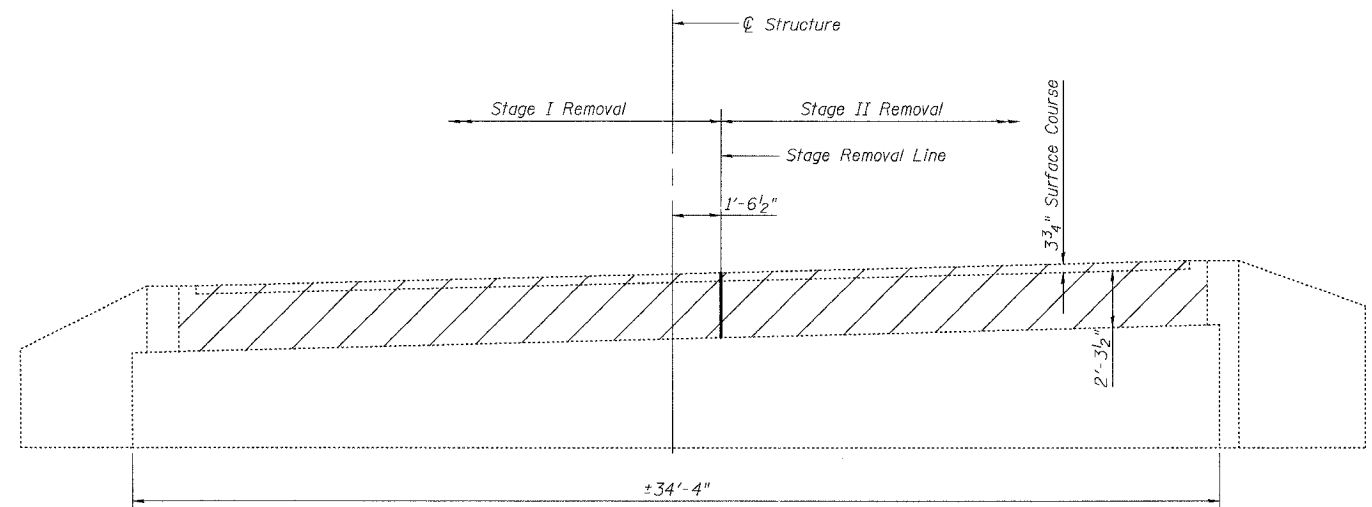


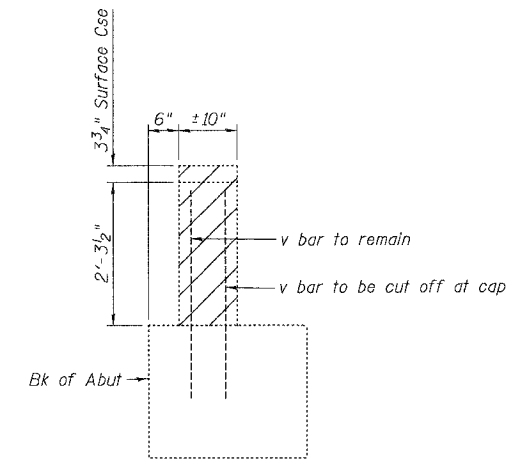
ROUTE NO.	SECTION	COUNTY	TOTAL SHEETS	SHEET NO.
FA 782	111BR-1	GALLATIN	73	58
FED. ROAD DIST. NO. 7	ILLINOIS	FED. AID PROJECT		

Contract #78034

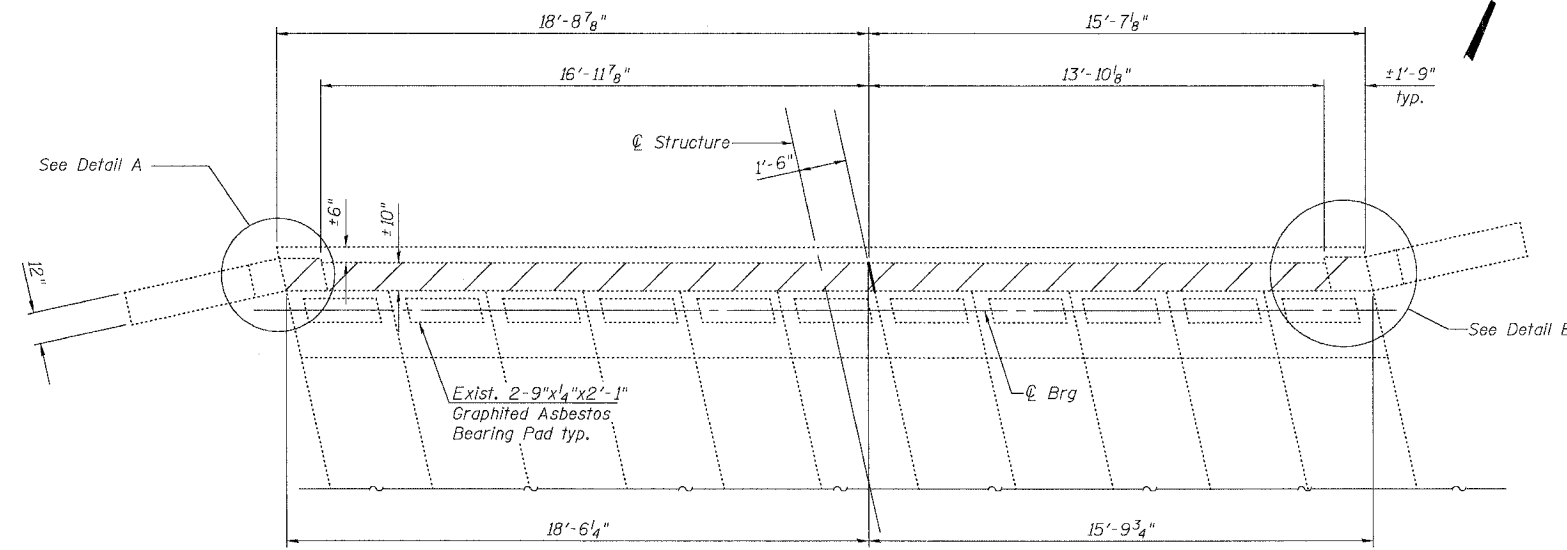
SHEET NO. 9  
14 SHEETS



**ELEVATION**  
(North Abutment Shown, South Abutment Opposite)



**SECTION THRU ABUTMENT**  
(Dim at right angles)



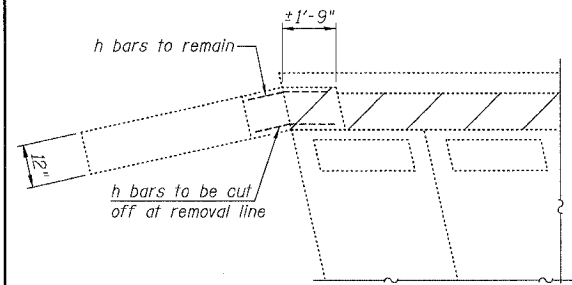
**TOP VIEW**  
(North Abutment Shown, South Abutment Opposite)

**BILL OF MATERIAL 2-ABUTMENTS**

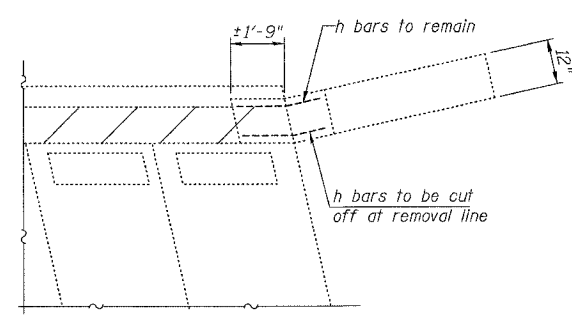
ITEM	UNIT	TOTAL
Concrete Removal	Cu. Yd.	5.6
Asbestos Bearing Pad Removal	Each	44

**Notes:**

Hatched area indicates Concrete Removal.  
Existing v bars in front face of end block and h bars in front face of wingwalls shall be cut off at the removal line. Cost included with Concrete Removal.  
Existing v bars in back face of end block and h bars in back face of wingwalls shall be cleaned and straightened before incorporating into new construction. Any reinforcement bars damaged during concrete removal shall be replaced with an approved bar splicer or anchorage system. Cost included with Concrete Removal.



**DETAIL A**



**DETAIL B**

**ABUTMENT CONCRETE REMOVAL**  
**F.A. RT. 782 SECTION 111BR-1**  
**GALLATIN COUNTY**  
**STATION 355+95.00**  
**STRUCTURE NO. 030-0018**

**COOMBE-BLOXDORF P.C.**  
Engineers / Land Surveyors  
Springfield, Illinois  
Design Firm License No. 184-002703

PROJECT NO. 07056-4  
DATE 4/17/08  
DRAWN BY TFG  
CHECKED BY GB/BD/MCB

PLOT DATE = 04/17/2008  
FILE NAME = \\s07056-4\p111br-1\111br-1-03.dgn  
LOT SCALE = 1" = 12'-0"  
USER NAME = BCL