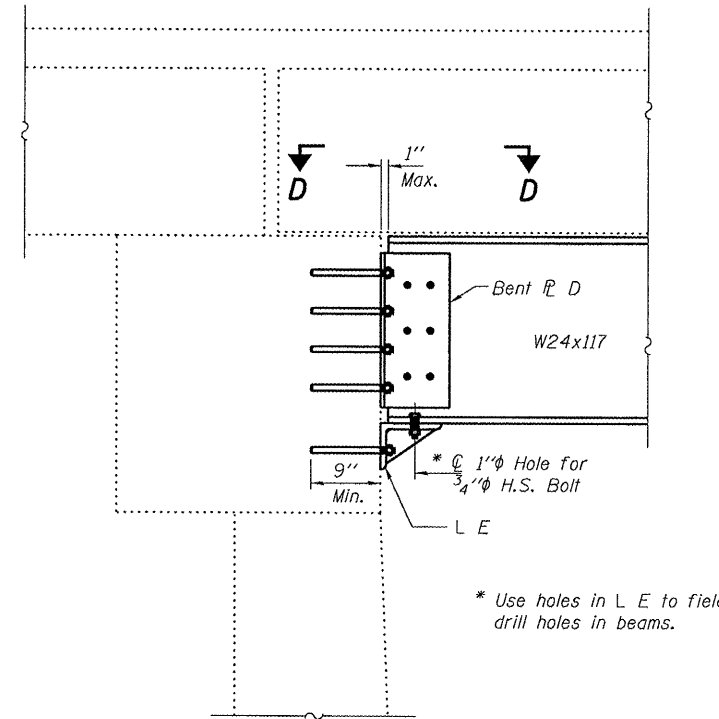
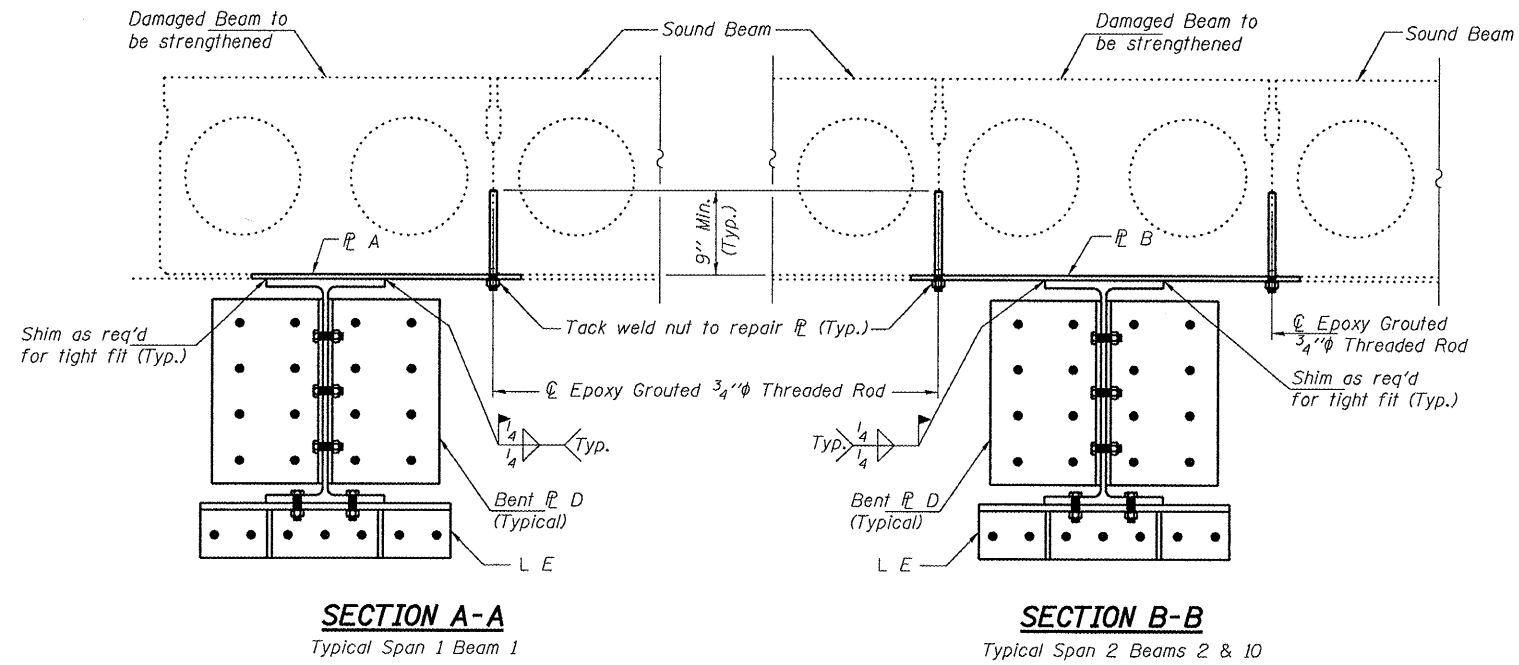


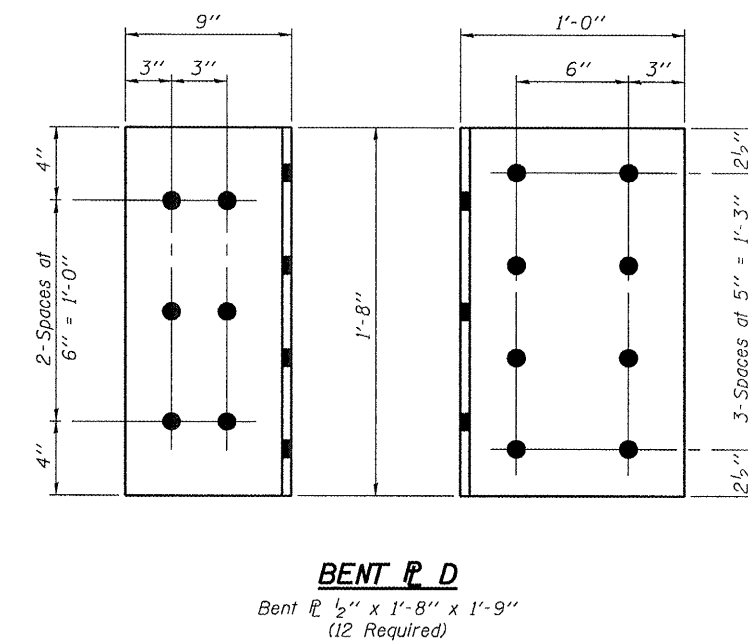
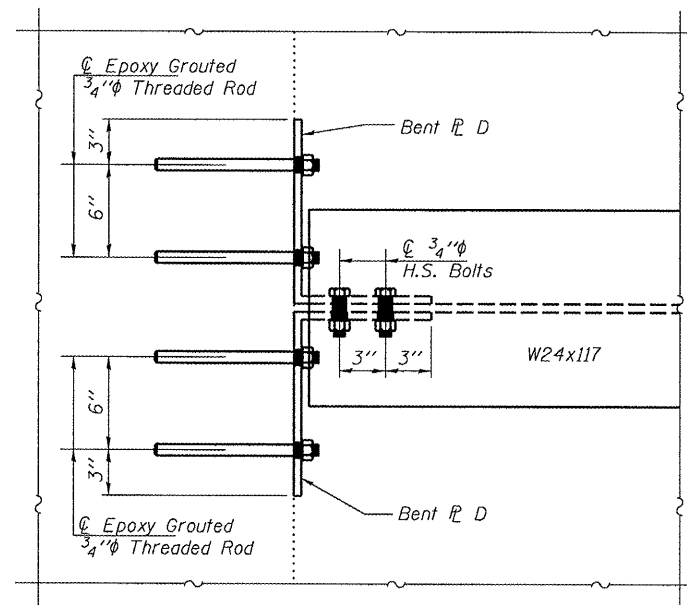
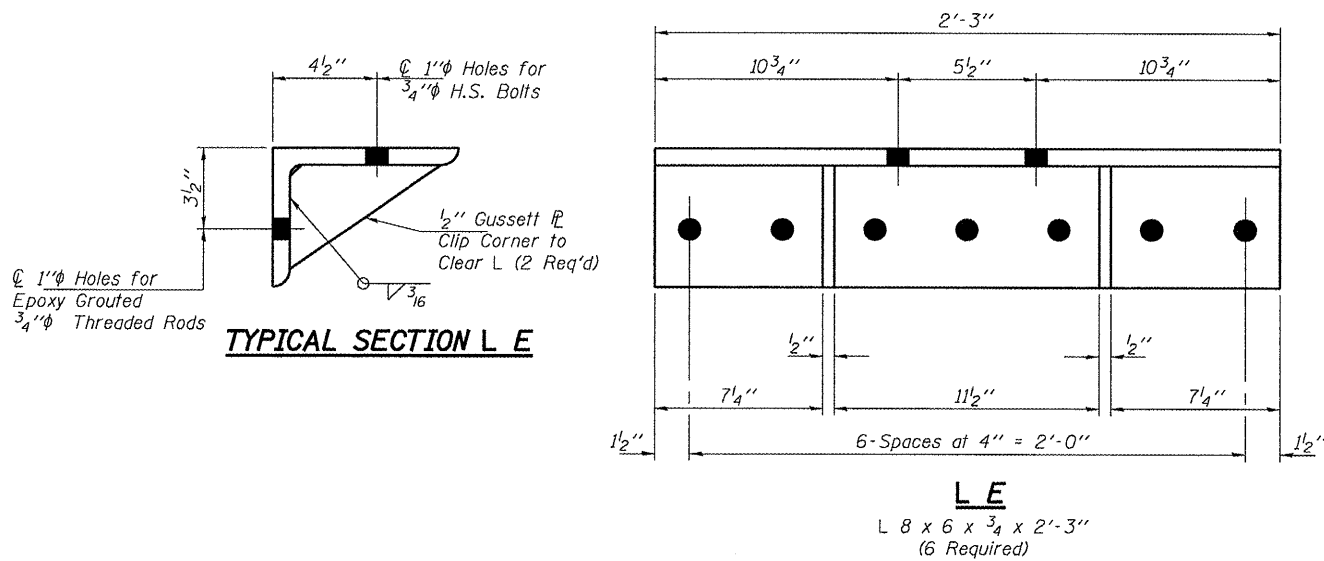
STATE OF ILLINOIS
DEPARTMENT OF TRANSPORTATION

ROUTE NO.	SECTION	COUNTY	SHEET NO.	SHEET NO.
FAP 328		WHITE	5 4	3 SHEETS
FED. ROAD DIST. NO. 7	ILLINOIS	FED. AID PROJECT		

Contract Number: 78063



* Use holes in L E to field drill holes in beams.



DESIGNED	VHV
CHECKED	DAB
DRAWN	Steffen
CHECKED	VHV DAB

APRIL 24, 2008
EXAMINED *Carl Perry*
ENGINEER OF STRUCTURAL SERVICES
PASSED *Ralph E. Anderson*
ENGINEER OF BRIDGES AND STRUCTURES

REPAIR DETAILS
FAP RT. 328
WHITE COUNTY
SN 097-0022