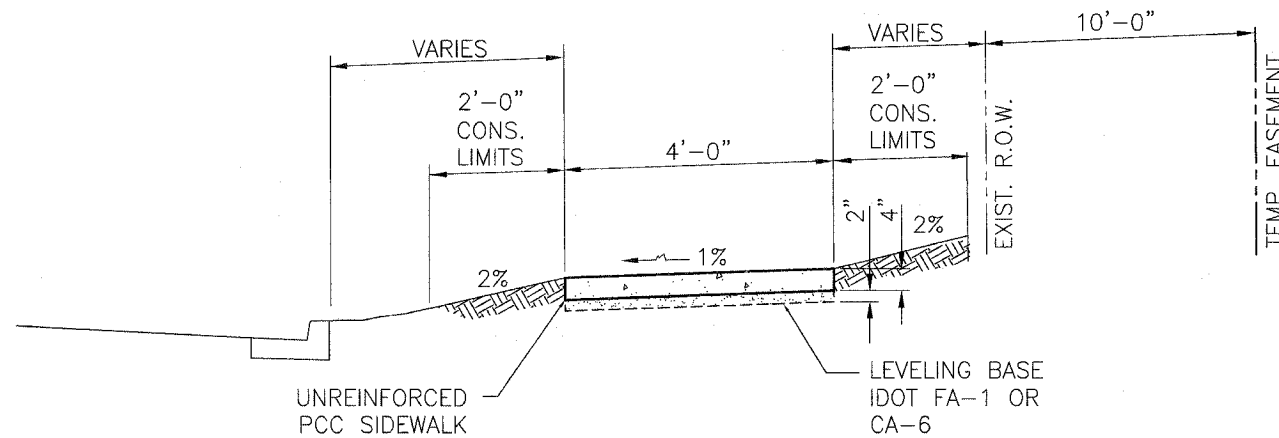
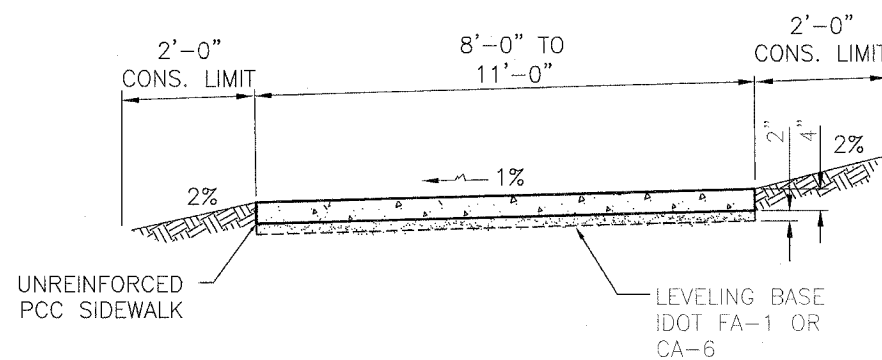


**SCHEDULE OF QUANTITIES
CITY PARK**

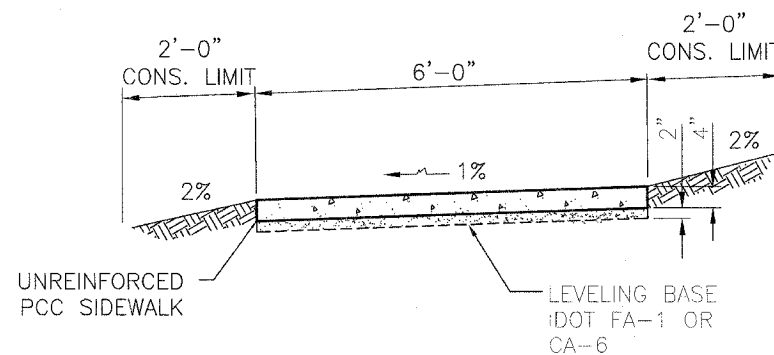
67100100	MOBILIZATION	L.S.	1
	TOTAL		1
Z0013798	CONSTRUCTION LAYOUT	L.S.	1
	Total		1
XX003952	TEMPORARY EROSION CONTROL (COMPLETE)	L.S.	1
	TOTAL		1
XX006344	SODDING (COMPLETE)	S.Y.	
	LT. & RT. STA. 0+15.97--STA. 0+26.98		4.9
	LT. & RT. STA. 0+36.98--STA. 3+37.05		133.4
	RT. STA. 20+00.00--STA. 23+44.00		76.5
	LT. STA. 20+00--STA. 23+04.02		67.6
	LT. STA. 23+12.54--STA. 23+44.00		7.0
	LT. STA. 30+00.00--STA. 30+46.18		10.3
	RT. STA. 30+12.15--STA. 30.46.18		7.6
	LT. & RT. STA. 30+63.14--STA. 31+08.80		17.4
	LT. & RT. STA. 40+00.00--STA. 40+05.47		2.4
	LT. STA. 50+05.04--STA. 50+25.58		4.6
	RT. STA. 50+12.27--STA. 50+25.58		3.0
	Total		334.7
XX0300380	PORTLAND CEMENT CONCRETE SIDEWALK 5 INCH, EXPOSED AGGREGATE	S.F.	
	STA. 0+15.97--STA. 3+37.05		3,586.5
	STA. 20+00.00--STA. 23+44.00		2,153.2
	STA. 30+00.00--STA. 30+46.18		374.7
	STA. 30+63.14--STA. 31+08.80		363.2
	STA. 40+00.00--STA. 40+07.11		43.4
	STA. 50+08.69--STA. 50+25.58		101.3
	Total		6,622.3



**TYPICAL SIDEWALK SECTION
CHICAGO STREET**



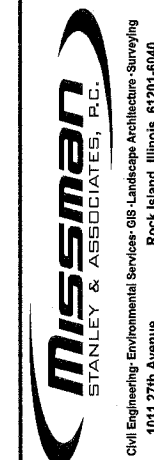
**TYPICAL SIDEWALK SECTION
CITY PARK-EAST SIDEWALK**



**TYPICAL SIDEWALK SECTION
CITY PARK-WEST SIDEWALK**

REVISIONS

No.	DESCRIPTION	DATE
1	DOT REVIEW	9-28-07
2	IDOT REVIEW	11-14-07
3	IDOT FINAL REVIEW	12-17-07



SOUTH CHICAGO ST/CITY PARK SIDEWALK
GENESEO, ILLINOIS

SUMMARY & SCHEDULE OF QUANTITIES

Missman Project No:
A07-L019
File Name:
SUMSCHED.dwg
© COPYRIGHT 2007
ALL RIGHTS RESERVED
Drawn By: SJD
Checked By: BJV
Date: AUG 2007