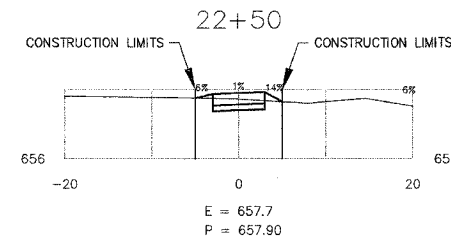
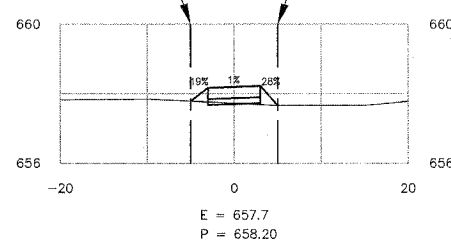
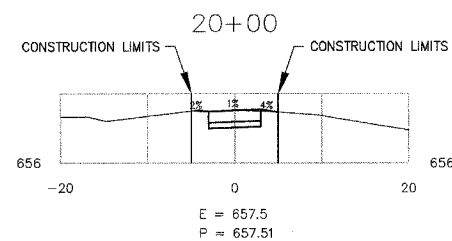
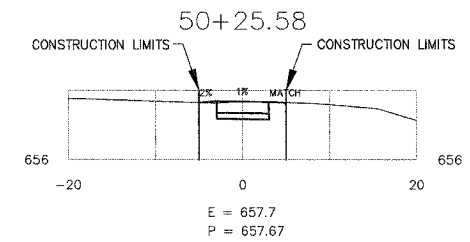
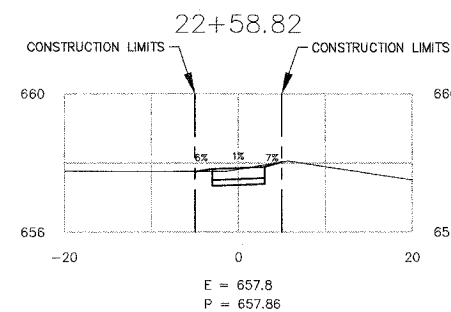
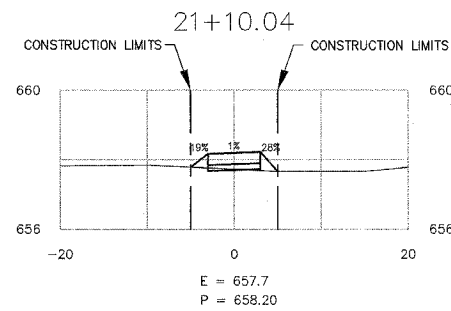
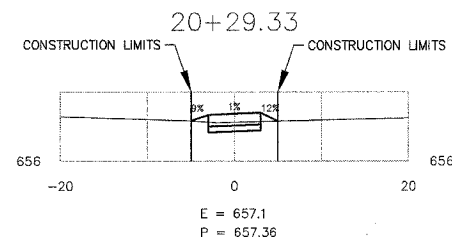
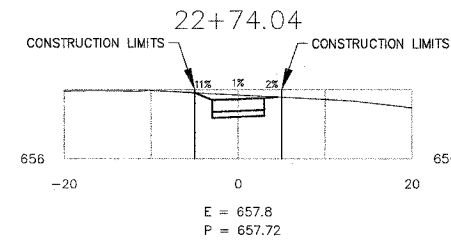
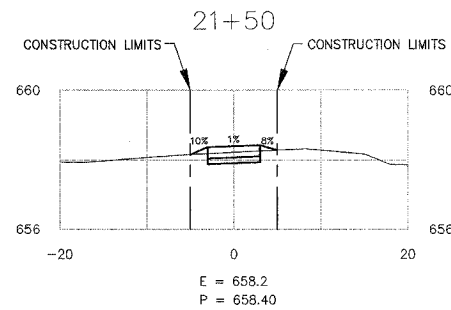
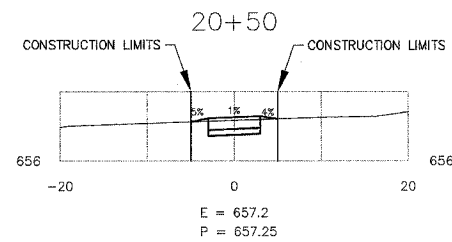
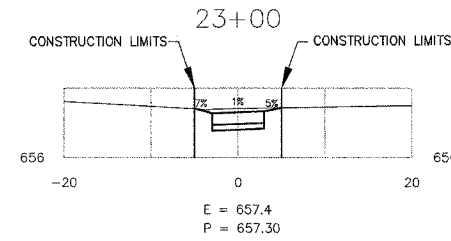
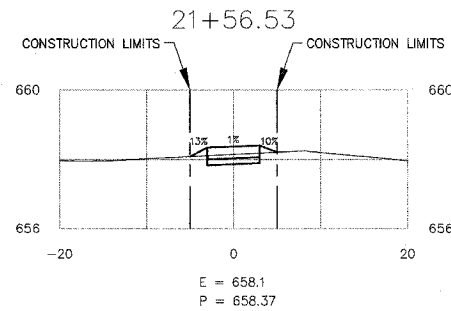
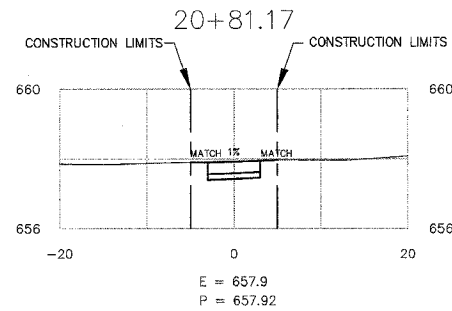
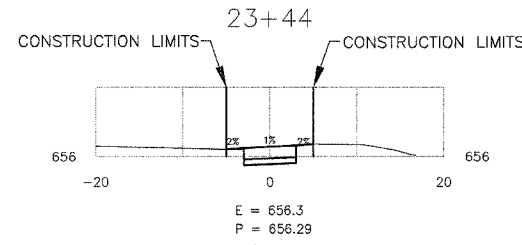
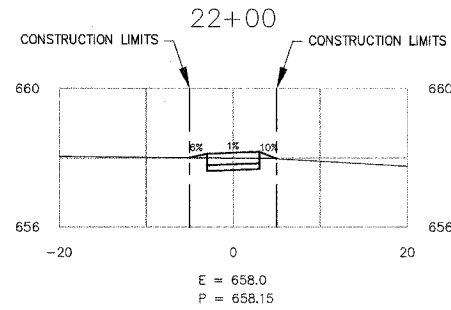
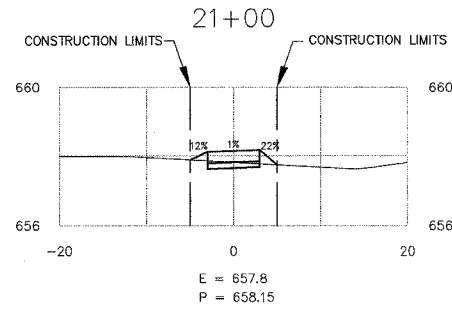


CITY PARK—WEST SIDEWALK

SCALE:
H: 1"=20'
V: 1"=5'



REVISIONS	
No.	DESCRIPTION
1	1.D.O.T. REVIEW
2	11-14-07
3	12-17-07
	1.D.O.T. REVIEW
	1.D.O.T. REVIEW
	1.D.O.T. REVIEW

Missman
STANLEY & ASSOCIATES, P.C.

Civil Engineering • Environmental Services • GIS • Landscape Architecture • Surveying
1011 27th Avenue
Rock Island, Illinois 61201-6040
Phone (309) 788-7644 Fax (309) 788-7681

CITY PARK SIDEWALK-WEST
GENESEO, ILLINOIS
CROSS SECTIONS

Missman Project No:
A07-L024
File Name:
Sum_Sched.dwg
© COPYRIGHT 2007
ALL RIGHTS RESERVED
Drawn By: SJD
Checked By: GAR
Date: AUG 2007