

- NOTES**
- A. SIDEWALK PERMITS SHALL BE OBTAINED FROM THE CITY ENGINEER PRIOR TO CONSTRUCTION.
 - B. SIDEWALK JOINTS
 - 1. EXPANSION JOINTS: A 1/2" X 4" OR 5" PREMOULDED BITUMINOUS EXPANSION JOINT SHALL BE INSTALLED FOR EVERY 100 FEET OF WALK, AND WHENEVER THE WALK ABUTS AGAINST A CURB, DRIVE APPROACH, FIRE HYDRANT, INTERSECTING SIDEWALK OR BUILDING JOINTS AT CURBS SHALL BE SEALED WITH APPROVED JOINT SEALER.
 - 2. CONTRACTION OR DUMMY JOINTS: THE SIDEWALK SURFACE SHALL BE DIVIDED BY GROOVES CONSTRUCTED AT RIGHT ANGLES TO THE CENTER LINE OF THE SIDEWALK. THESE GROOVES SHALL EXTEND TO 1/4" THE DEPTH OF THE SIDEWALK, AND SHALL BE SET NOT LESS THAN 1/8" AND NOT MORE THAN 1/4" IN WIDTH, AND SHALL BE EDGED WITH AN EDGING TOOL HAVING A 1/4" RADIUS. NO SLAB SHALL BE LONGER THAN 6', NOR LESS THAN 4', ON ANY ONE SIDE. THE EDGES OF ALL THE SLABS SHALL ALSO BE EDGED.
 - C. VARIANCE FROM STANDARD
 - 1. ANY VARIANCE FROM THIS STANDARD SHALL BE SUBMITTED TO THE CITY ENGINEER IN WRITTEN FORM FOR APPROVAL PRIOR TO ISSUANCE OF SIDEWALK PERMIT.
 - D. NO MASONITE MATERIAL TO BE USED FOR FORMS.
 - E. EXPANSION MATERIAL SHALL NOT BE USED AS FORMS.

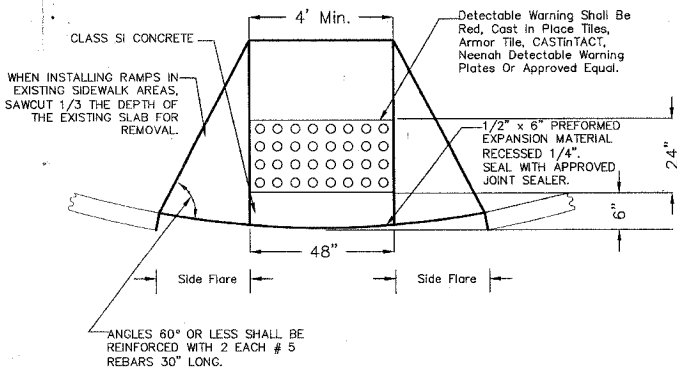
SIDEWALK SPECIFICATIONS		
AREA ZONING/LAND USE	WIDTH	THICKNESS
SINGLE FAMILY RESIDENCE	4'	4" or 5"
MULTIPLE FAMILY	5'	4" or 5"
COMMERCIAL OR BUSINESS	10'	5"

NOT TO SCALE

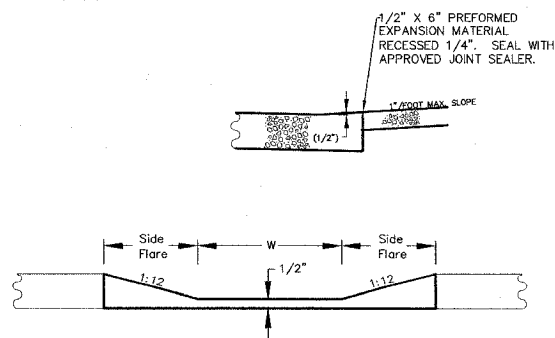
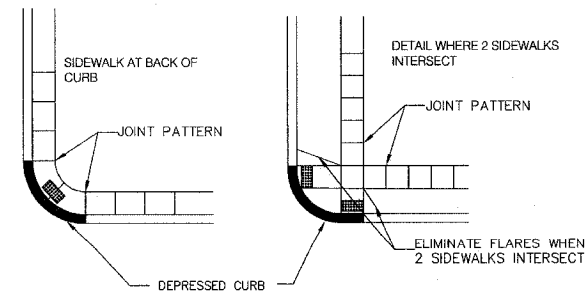
REVISION	BY	DATE
REVISED	MDW	03/25/08
REVISED	MDW	05/04/01
REVISED	PJK	01/15/2001
REVISED	CAW	05/14/99
REVISED	MDW	12/29/98
REVISION	BY	DATE

S:\MISC\STANDARD\CRI_STD\108.DWG

TYPICAL SIDEWALK AND GRADING PLAN
CITY OF ROCK ISLAND ENGINEERING DIVISION STANDARD NO. 108



- NOTE:**
- THE EXACT LOCATION AND QUANTITY OF RAMPS AT EACH INTERSECTION SHALL BE DETERMINED INDIVIDUALLY BY THE ENGINEER DUE TO DIFFERENCES OF TRAFFIC FLOW, STREET WIDTHS, AND RADIUS LENGTHS.
 - SEE CURB CUT DETAIL, STANDARD NO. 103, FOR MEETING DIFFERENT TYPES OF STREET PAVING. CONCRETE THICKNESS SHALL BE 6".
 - SIDEWALK TO BE THOROUGHLY SPADED.
 - NO MASONITE TO BE USED FOR FORMS.
 - EXPANSION MATERIAL SHALL NOT BE USED AS FORMS.

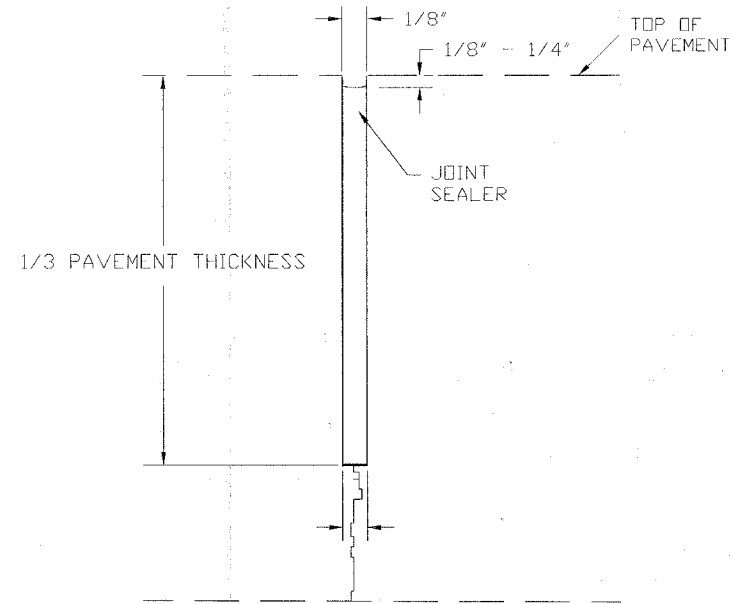


NOT TO SCALE

REVISION	BY	DATE
REVISED	MDW	11/19/2005
REVISED	TAB	10/18/2003
REVISED	PJK	01/15/2001
REVISED	TAB	01/27/2000
REVISED	PJK	01/27/97
REVISED	PJK	12/14/96
REVISED	MDW	01/27/94
STANDARDIZED	CVE	06/28/91

S:\MISC\STANDARD\CRI_STD\109.DWG

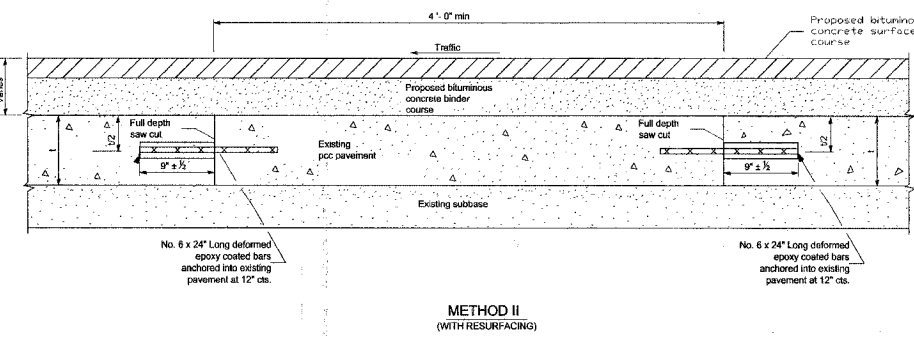
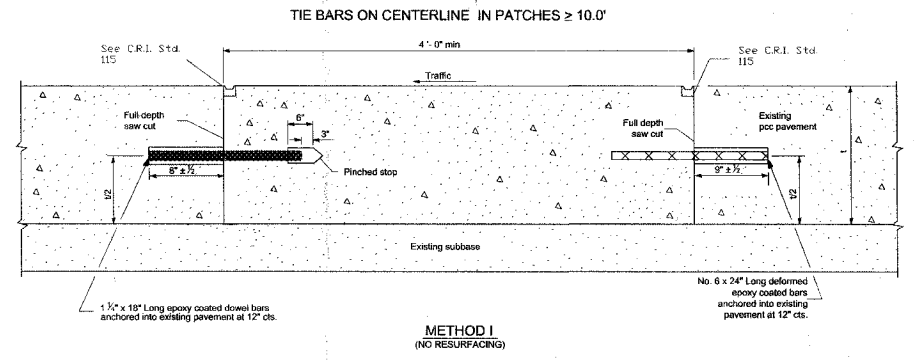
PCC PEDESTRIAN CURB RAMPS
CITY OF ROCK ISLAND ENGINEERING DIVISION STANDARD NO. 109A



- AFTER SAWING, BLOW WITH OIL- AND WATER- FREE COMPRESSED AIR TO ELIMINATE DEBRIS AND WATER
- SEAL WITH APPROVED JOINT SEALER

REVISION	BY	DATE
REVISED	MDW	03/26/08
REVISED	TAB	01/07/00
STANDARDIZED	CVE	06/28/91
REVISION	BY	DATE

DETAIL OF JOINT FILLER
CITY OF ROCK ISLAND ENGINEERING DIVISION STANDARD NO. 115



REVISION	BY	DATE
REVISED	DGW	02/21/08
REVISED	WLC	03/21/07
REVISED	MDW	05/09/05
STANDARDIZED	WLC	04/01/05
REVISION	BY	DATE

CITY OF ROCK ISLAND ENGINEERING DIVISION STANDARD NO. 116

85434
06-00180-00-RS
C.R.I. STANDARD DETAILS
CITY OF ROCK ISLAND ENGINEERING DIVISION

24th Street Resurfacing
18th to 25th Avenue

Job Number	2569	Date	3-07-08
Computer Drawing Name	2569 Standard Details	By	mdw
		Sheet	33
		Of	38

ROCK ISLAND ILLINOIS