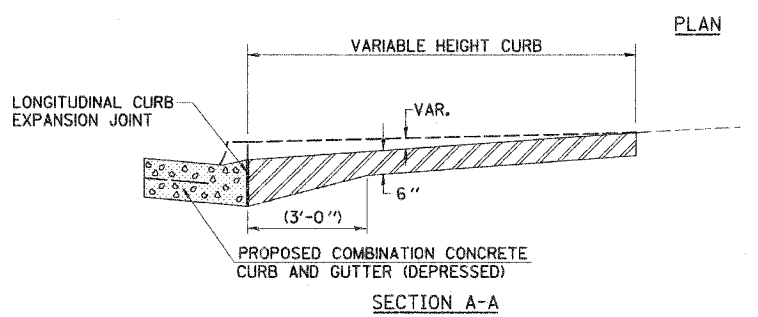
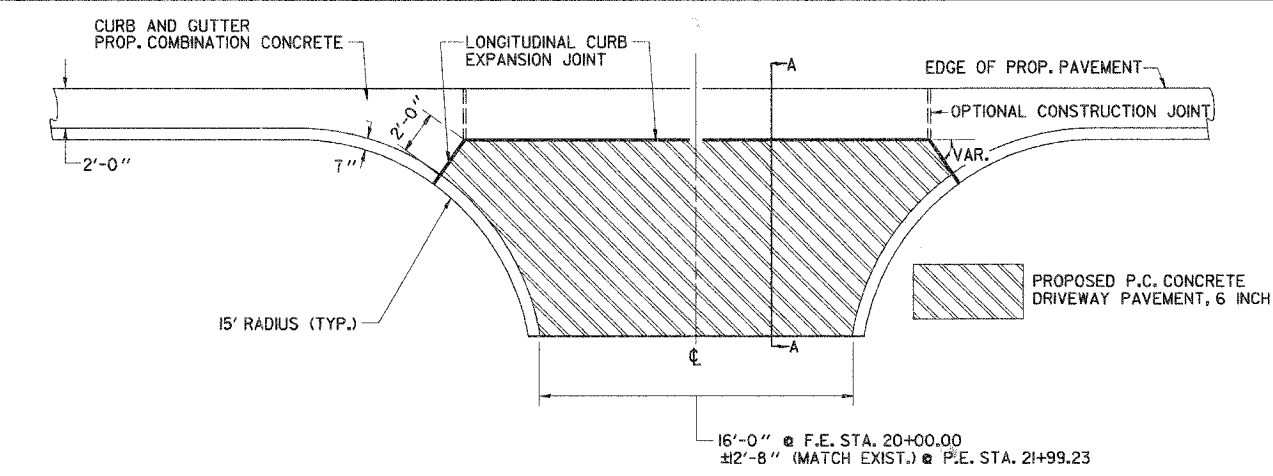
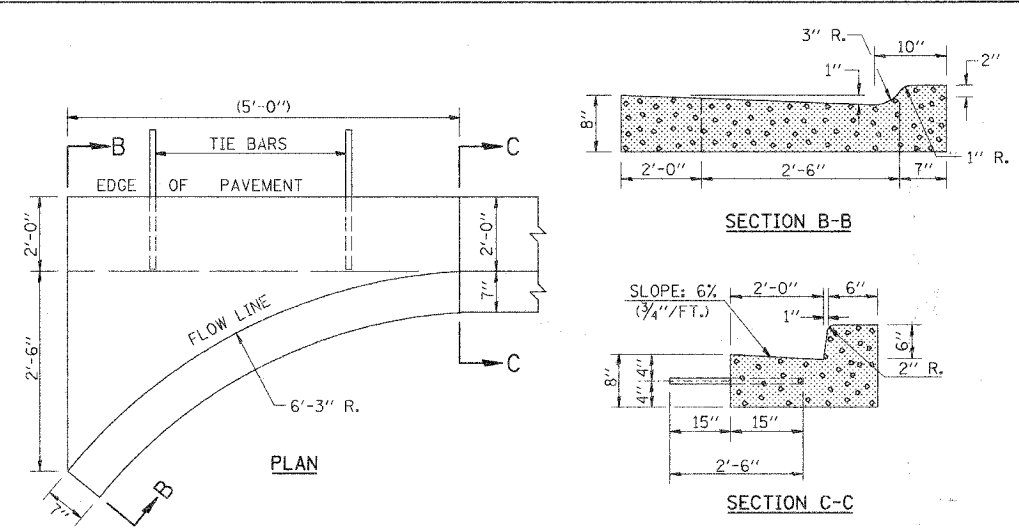


SUMMARY OF QUANTITIES			X081-2A
CODE NO.	ITEM	UNIT	QUANTITY
20100500	TREE REMOVAL, ACRES	ACRE	0.25
20200100	EARTH EXCAVATION	CU YD	983
20300100	CHANNEL EXCAVATION	CU YD	820
20400800	FURNISHED EXCAVATION	CU YD	1,903
20700400	POROUS GRANULAR EMBANKMENT, SPECIAL	CU YD	66.1
20800150	TRENCH BACKFILL	CU YD	43.2
25000200	SEEDING, CLASS 2	ACRE	1.25
25000400	NITROGEN FERTILIZER NUTRIENT	POUND	113
25000500	PHOSPHORUS FERTILIZER NUTRIENT	POUND	113
25000600	POTASSIUM FERTILIZER NUTRIENT	POUND	113
25100115	MULCH, METHOD 2	ACRE	2.5
25100630	EROSION CONTROL BLANKET	SQ YD	25
28000200	EARTH EXCAVATION FOR EROSION CONTROL	CU YD	71
28000250	TEMPORARY EROSION CONTROL SEEDING	POUND	125
28000300	TEMPORARY DITCH CHECKS	EACH	7
28000400	PERIMETER EROSION BARRIER	FOOT	1,002
28000500	INLET AND PIPE PROTECTION	EACH	11
28500100	FABRIC FORMED CONCRETE REVETMENT MAT	SQ YD	1,856
30200650	PROCESSING MODIFIED SOIL 12"	SQ YD	3,418
30201500	LIME	TON	77
40600100	BITUMINOUS MATERIALS (PRIME COAT)	GALLON	40
40603080	HOT-MIX ASPHALT BINDER COURSE, IL 19.0, N50	TON	108
40603310	HOT-MIX ASPHALT SURFACE COURSE, MIX "C", N50	TON	35
42000301	PORTLAND CEMENT CONCRETE PAVEMENT 8" (JOINTED)	SQ YD	2,413
42001165	BRIDGE APPROACH PAVEMENT	SQ YD	200
42300200	PORTLAND CEMENT CONCRETE DRIVEWAY PAVEMENT, 6 INCH	SQ YD	80
44000200	DRIVEWAY PAVEMENT REMOVAL	SQ YD	52
48101200	AGGREGATE SHOULDERS, TYPE B	TON	39
50100100	REMOVAL OF EXISTING STRUCTURES	EACH	1
50200100	STRUCTURE EXCAVATION	CU YD	94.8
50300225	CONCRETE STRUCTURES	CU YD	23.0
50300260	BRIDGE DECK GROOVING	SQ YD	212
50300300	PROTECTIVE COAT	SQ YD	212
50301200	CONCRETE WEARING SURFACE	SQ YD	212
50400505	PRECAST PRESTRESSED CONCRETE DECK BEAMS (27" DEPTH)	SQ FT	1,910
50800205	REINFORCEMENT BARS, EPOXY COATED	POUND	5,750
50901050	STEEL RAILING, TYPE SM	FOOT	128
51201105	FURNISHING METAL SHELL PILES 14"	FOOT	448
51202305	DRIVING PILES	FOOT	448
51203200	TEST PILE METAL SHELLS	EACH	1
51500100	NAME PLATES	EACH	1
52000050	PREFORMED JOINT SEAL 4"	FOOT	35
54200487	PIPE CULVERTS, TYPE 1 RCCP 72"	FOOT	54
54207153	PIPE CULVERTS, TYPE 1, REINFORCED CONCRETE - ELLIPTICAL, EQUIVALENT ROUND-SIZE 18"	FOOT	66
54213717	PRECAST REINFORCED CONCRETE FLARED END SECTIONS 72"	EACH	2
54214713	PRECAST REINFORCED CONCRETE FLARED END SECTIONS - ELLIPTICAL, EQUIVALENT ROUND-SIZE 18"	EACH	4
54215547	METAL END SECTIONS 12"	EACH	8
59100100	GEOCOMPOSITE WALL DRAIN	SQ YD	43.5
60100060	CONCRETE HEADWALL FOR PIPE DRAINS	EACH	4
60100945	PIPE DRAINS 12"	FOOT	63
60109580	PIPE UNDERDRAINS FOR STRUCTURES 4"	FOOT	89
60235700	INLETS, TYPE A, TYPE 3 FRAME AND GRATE	EACH	8
60600095	CLASS SI CONCRETE (OUTLET)	CU YD	0.9
60605000	COMBINATION CONCRETE CURB AND GUTTER, TYPE B-6.24	FOOT	1,670
63000000	STEEL PLATE BEAM GUARDRAIL, TYPE A	FOOT	475
63100045	TRAFFIC BARRIER TERMINAL, TYPE 2	EACH	2
63100087	TRAFFIC BARRIER TERMINAL, TYPE 6A	EACH	4
63100167	TRAFFIC BARRIER TERMINAL TYPE 1, SPECIAL (TANGENT)	EACH	2
66500105	WOVEN WIRE FENCE, 4'	FOOT	907
67100100	MOBILIZATION	L SUM	1
78201000	TERMINAL MARKER - DIRECT APPLIED	EACH	4
XX007149	EXISTING GATE TO BE RELOCATED	EACH	1
Z0018900	DRILL AND GROUT DOWEL BARS	EACH	26
* SEE SPECIAL PROVISIONS    Δ SPECIALTY ITEMS			



ENTRANCE DETAILS



SPECIAL INLET NOTES

- CLASS SI CONCRETE SHALL BE USED THROUGHOUT.
- TIE BARS SHALL BE NO. 6 AT 24" CENTERS UNLESS OTHERWISE SHOWN. SPECIAL INLETS SHALL BE TIED TO THE PAVEMENT IN ACCORDANCE WITH DETAILS FOR LONGITUDINAL CONSTRUCTION JOINT SHOWN ON STANDARD 420001-07.
- TIE BARS SHOWN ABOVE WILL NOT BE PAID FOR SEPARATELY BUT SHALL BE CONSIDERED AS INCLUDED IN CLASS SI CONCRETE OUTLETS.
- WHEN SPECIAL INLET IS CONSTRUCTED ADJACENT TO FLEXIBLE PAVEMENT, THE TIE BARS SHALL BE OMITTED AND ALL CONSTRUCTION JOINTS SHALL BE PROVIDED WITH A DOWEL BAR CONFORMING TO ARTICLE 1006.11(b).
- THIS WORK WILL BE PAID FOR AT THE CONTRACT UNIT PRICE PER CU. YD. FOR CLASS SI CONCRETE (OUTLET) WHICH PRICE SHALL INCLUDE ALL LABOR AND MATERIAL AS SPECIFIED AND NO ADDITIONAL COMPENSATION WILL BE ALLOWED.

DETAIL OF SPECIAL INLET FOR COMBINATION CURB AND GUTTER

ROUTE NO.	SECTION	COUNTY	TOTAL SHEETS	SHEET NO.
CS #900	05-00205-00-BR	MACON	23	2
FED. ROAD DIST. NO.		ILLINOIS PROJECT: BRM-51691401	CONTRACT NO. 95542	

ENTRANCE NOTES

- THE LONGITUDINAL CURB EXPANSION JOINT SHALL CONFORM TO SECTION 1051 OF THE STANDARD SPECS.
- THE ENTRANCE GRADES WILL BE AS SHOWN ON THE STATION CROSS SECTIONS AND AS DIRECTED BY THE ENGINEER.
- THE COMBINATION CONCRETE CURB AND GUTTER SHALL BE CONSTRUCTED AS SHOWN AND WILL BE PAID FOR AT THE CONTRACT UNIT PRICE PER LIN. FT. FOR COMBINATION CONCRETE CURB AND GUTTER, TYPE B-6.24 AND NO ADDITIONAL COMPENSATION WILL BE ALLOWED.
- BEFORE A CHANGE IN THE METHOD OF CONSTRUCTION IS ALLOWED, THE REQUEST SHALL BE SUBMITTED IN WRITING AND MUST BE APPROVED BY THE ENGINEER.
- THE VARIABLE HEIGHT CURB ADJACENT TO THE P.C. CONCRETE DRIVEWAY PAVEMENT SHALL BE CONSTRUCTED MONOLITHIC WITH AND INCLUDED IN THE AREA OF THE P.C. CONCRETE DRIVEWAY PAVEMENT, 6". THIS WORK WILL BE PAID FOR AT THE CONTRACT UNIT PRICE PER SQ.YD. FOR P.C. CONCRETE DRIVEWAY PAVEMENT, 6" INCLUDING THE MONOLITHIC CURBS AS SPECIFIED, THE SCORED GROOVES, THE LONGITUDINAL CURB EXPANSION JOINTS, AND THE ADDITIONAL THICKNESS REQUIRED ADJACENT TO THE DEPRESSED COMBINATION CONCRETE CURB AND GUTTER, AND NO ADDITIONAL COMPENSATION WILL BE ALLOWED.

GENERAL NOTES

THE AREA TO BE SEEDING SHALL CONSIST OF ALL DISTURBED EARTH SURFACES WITHIN THE RIGHT-OF-WAY AS DIRECTED BY THE ENGINEER.

SEEDING DATES FOR CLASS 2 SEEDING WILL BE AS LISTED BELOW:

SPRING    MARCH 1 THRU JUNE 1  
FALL        AUGUST 1 THRU NOVEMBER 15

IT SHALL BE THE CONTRACTOR'S RESPONSIBILITY TO DETERMINE THE ACTUAL LOCATION OF ALL UNDERGROUND UTILITY FACILITIES. HE SHALL ALSO OBTAIN FROM THE RESPECTIVE UTILITY COMPANIES DETAILED INFORMATION RELATIVE TO THE LOCATION OF THEIR FACILITIES AND THE WORKING SCHEDULES OF THE UTILITY COMPANIES FOR THEIR MARKING OF THE EXACT LOCATION.

REMOVAL OF EXISTING PAVEMENT MATERIAL AND EXISTING FENCE SHALL BE INCLUDED IN EARTH EXCAVATION.

MATERIAL REQUIRED FOR FURNISHED EXCAVATION SHALL BE DELIVERED FROM AN OFF-SITE LOCATION.

APPLICATION RATES		
NITROGEN FERTILIZER NUTRIENT	90	LBS./ACRE
PHOSPHORUS FERTILIZER NUTRIENT	90	LBS./ACRE
POTASSIUM FERTILIZER NUTRIENT	90	LBS./ACRE
MULCH METHOD 2	2	TONS/ACRE
TEMPORARY EROSION CONTROL SEEDING	100	LBS./ACRE
LIME	45	LBS./SQ. YD.
BITUMINOUS MATERIALS-PRIME COAT	0.10	GALS./S. Y.
BITUMINOUS MATERIALS-FOG COAT	0.03	GALS./S. Y.
HOT MIX ASPHALT	112	LBS./S. Y./INCH
AGGREGATE SHOULDERS	2.05	TONS/CU. YD.

SUM. OF QUANTITIES, GEN. NOTES, & DETAILS

Date	Designed MJP	CS #900 (HARRY LAND ROAD) OVER TRIB. TO LAKE DECATUR SECTION 05-00205-00-BR MACON COUNTY STA. 15+93.29 PROP. STR. NO. 058-3386
Revisions	Drawn BKN	
	Checked KWB	
	Approved KWB	
Prepared by:	URS 345 East Ash Avenue Decatur, IL 62526	URS Job No. 36431928