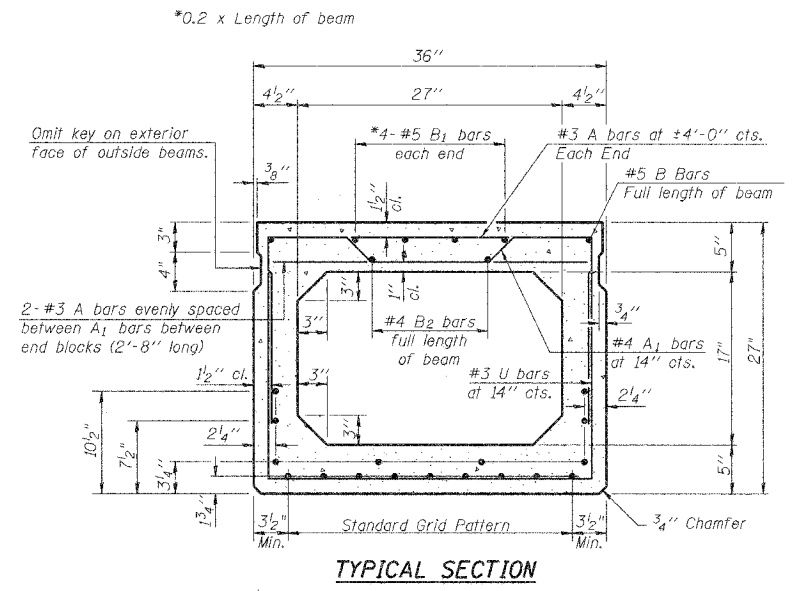
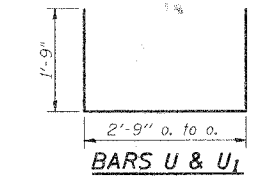
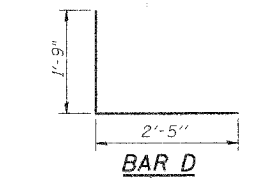
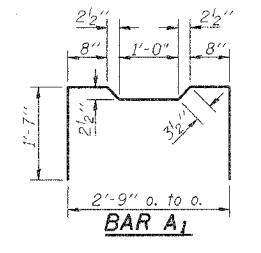
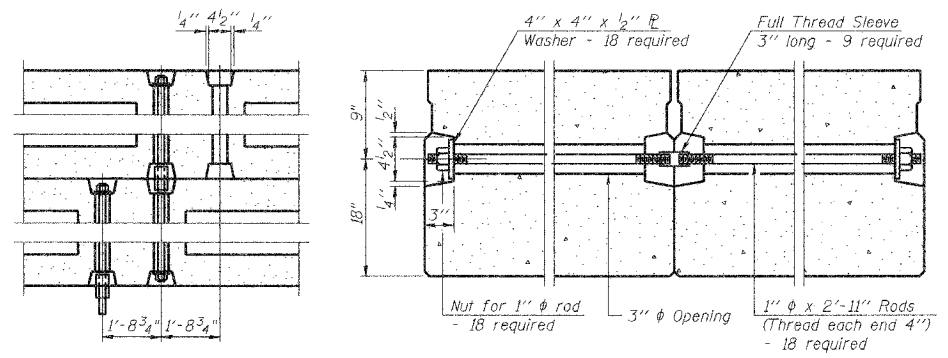
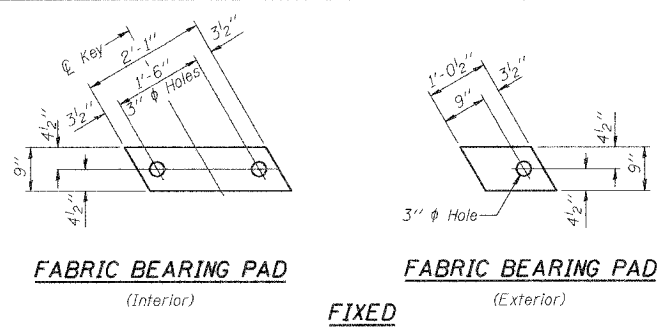
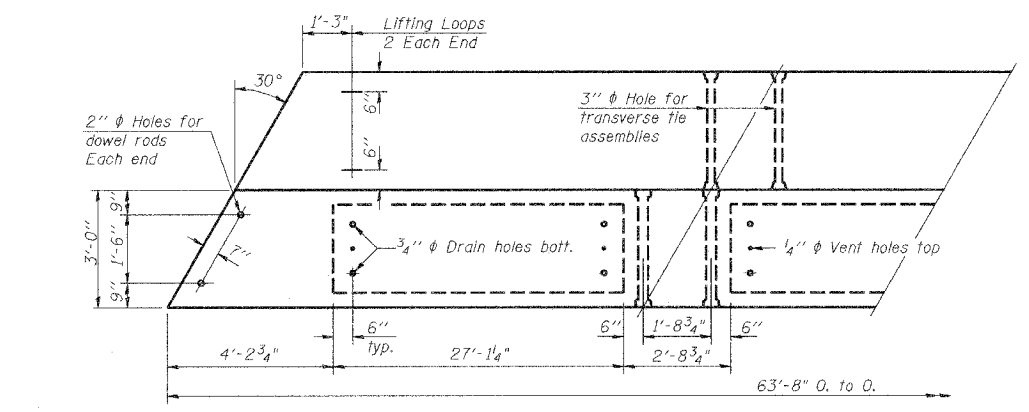


ROUTE NO.	SECTION	COUNTY	TOTAL SHEETS	SHEET NO.
CS #900	05-00205-00-BR	MACON	23	18
FED. ROAD DIST. NO.		ILLINOIS PROJECT: BRM-5169(40)	CONTRACT NO. 95542	

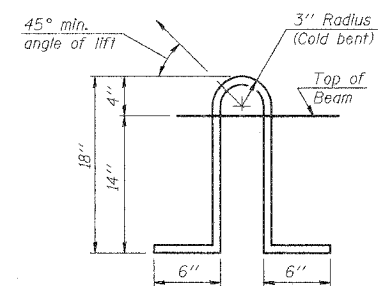


TYPICAL SECTION
 17 - 1/2" Strands, Each Strand Stressed to 30,900 Lbs.
 9 - Strands 3/4" up, 4 - Strands 3/4" up.
 2 - Strands 7/2" up and 2 Strands 10 1/2" up.

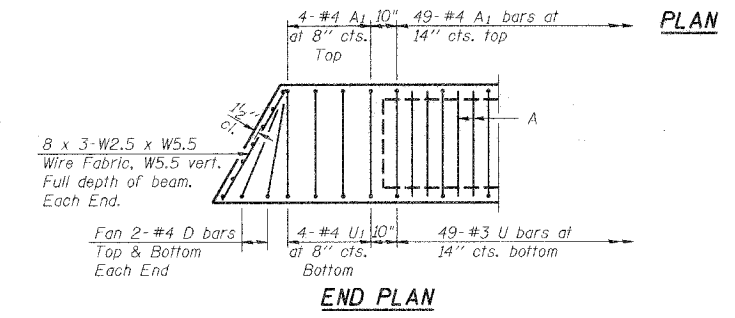
Note:
Place strands symmetrically about center of beam.



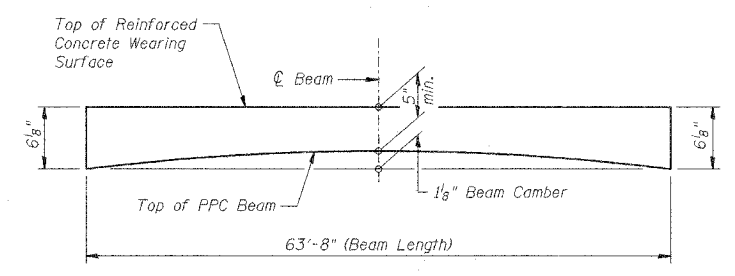
TYPICAL TRANSVERSE TIE ASSEMBLY



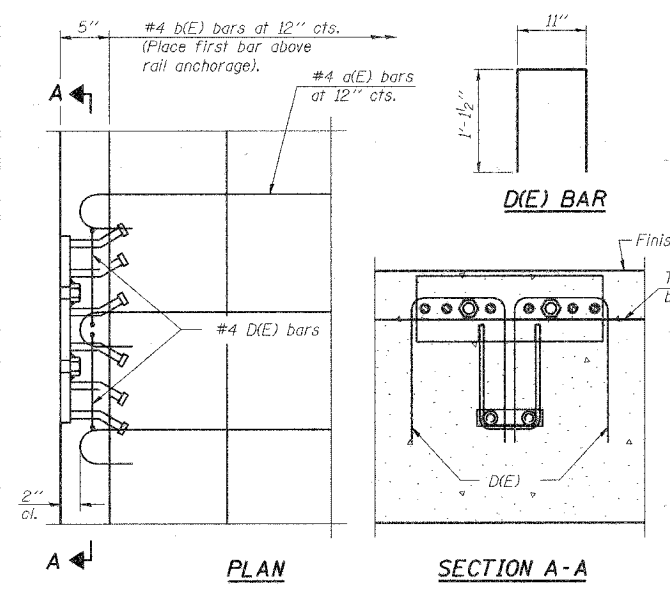
LIFTING LOOP DETAIL



END PLAN

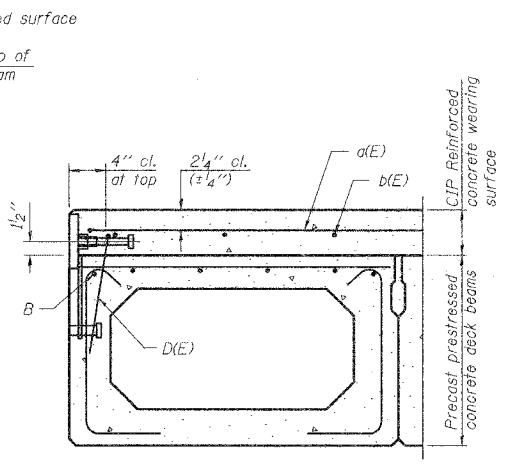


ANTICIPATED CAMBER DIAGRAM



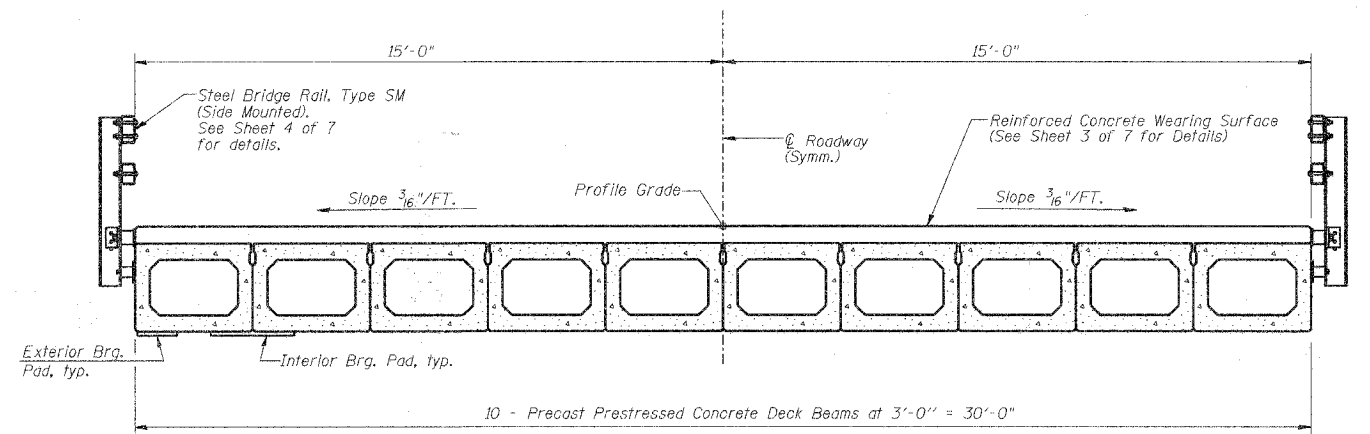
PLAN

SECTION A-A



CROSS SECTION

Notes:
The rail anchorage shall be cast with the beam and the wearing surface shall be cast in the field. Formwork necessary for the wearing surface may be secured utilizing the bottom rail anchorage inserts and/or additional inserts cast into the beam. Drilling into the beam will not be permitted.



NOTES

Prestressing steel shall be uncoated high strength, low relaxation 7-wire strand, Grade 270. The nominal diameter shall be 1/2" and the nominal cross-sectional area shall be 0.153 sq. in. Lifting loops shall be 2'-2 1/2" φ-270 ksi strands, as shown. The 1" φ rods in the transverse tie assembly shall be tightened to a snug fit and the threads set. Pockets that receive transverse tie bar on outside shall be filled with grout after transverse tie assembly is in place. Non prestressing steel shall conform to ASTM A 706 (IL MOD), Grade 60. The bearing seat surfaces shall be adjusted by shimming to assure firm and even bearing. Two 1/2" fabric adjusting shims of the dimensions of the Exterior Bearing Pad shall be provided for each bearing. Keyway surfaces shall be cleaned to remove form oil or other bond breaking material prior to shipment of the beams. Cleaning shall be done by sandblasting the keyway areas between top of the beam and the bottom edge of the key. Corrosion inhibitor, per Article 1020.05(b)(12) of the Standard Specifications, shall be used in the concrete for precast prestressed concrete deck beams. Required Release Strength, f'cl, shall be 4,000 p.s.i.

BILL OF MATERIAL

Precast Prestressed Conc. Deck Bms.	Sq. Ft.	1910

SUPERSTRUCTURE

Date	Designed MJP	CS #900 (HARRY LAND ROAD) OVER TRIB. TO LAKE DECATUR SECTION 05-00205-00-BR MACON COUNTY STA. 15+93.29 PROP. STR. NO. 058-3386	Sheet No.
Revisions	Drawn BKN		2
	Checked KWB		
	Approved KWB		
Prepared by: URS	345 East Ash Avenue Decatur, IL 62526	URS Job No.	36431928