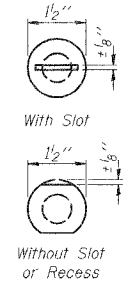
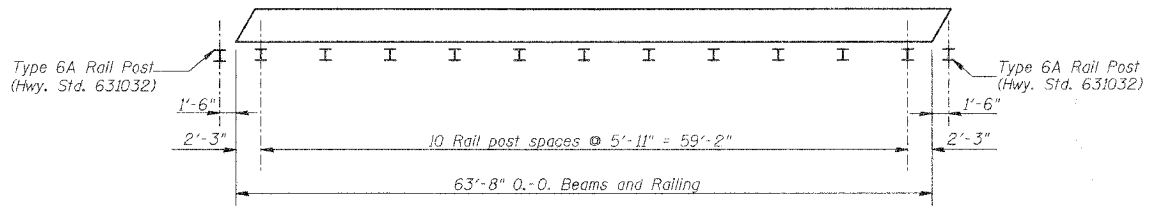


DETAIL OF 3/4"  $\phi$  ROUND HEAD BOLT

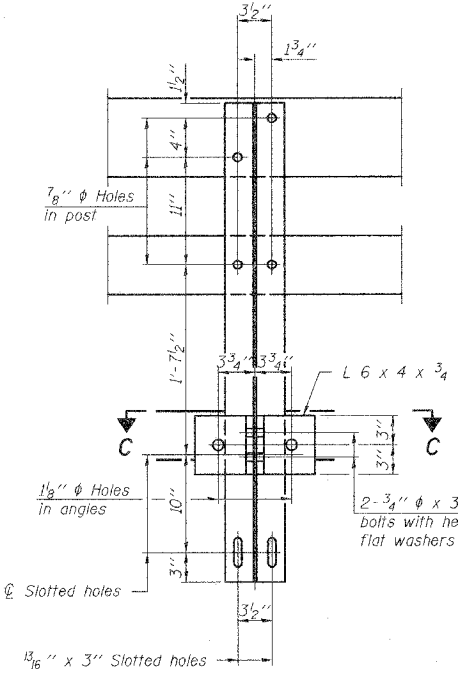


VIEW A-A

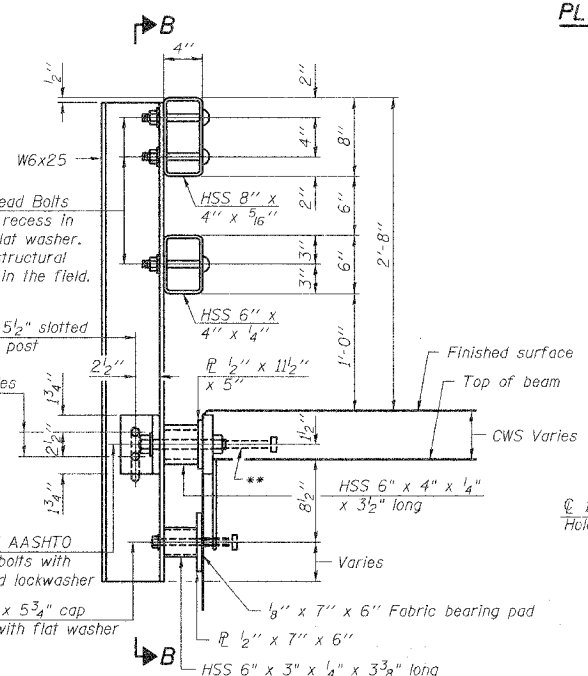
4-3/4"  $\phi$  x 6" Round Head Bolts (With slot or approved recess in head) with locknut & flat washer. 7/8"  $\phi$  holes in hollow structural section may be drilled in the field.



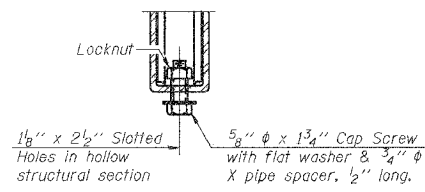
PLAN VIEW - EXTERIOR BEAMS (Showing Rail Post Spacing)



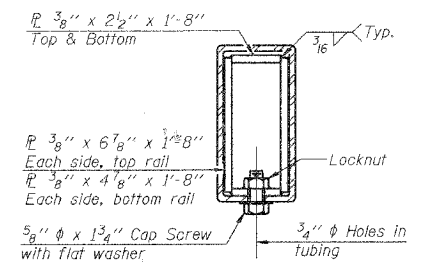
SECTION B-B



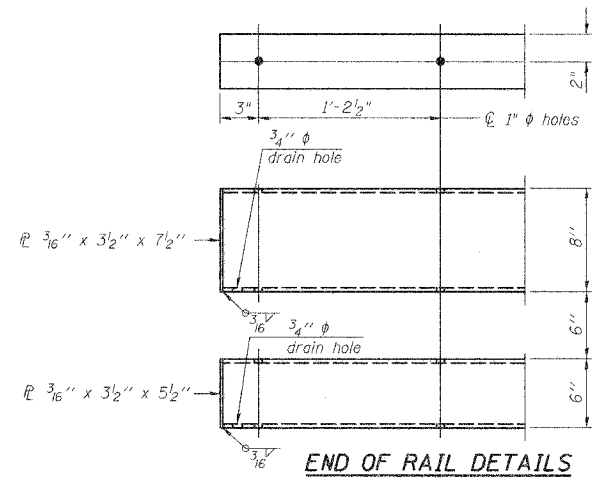
SECTION AT RAIL POST



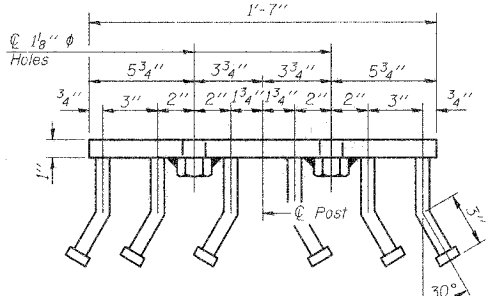
RAIL SPLICE CONNECTION AT EXPANSION JT.



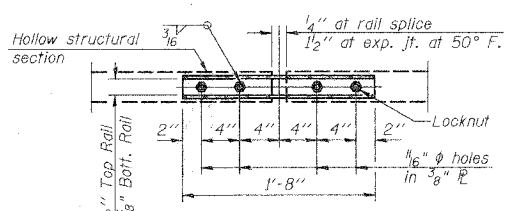
SECTION AT RAIL SPLICE



END OF RAIL DETAILS



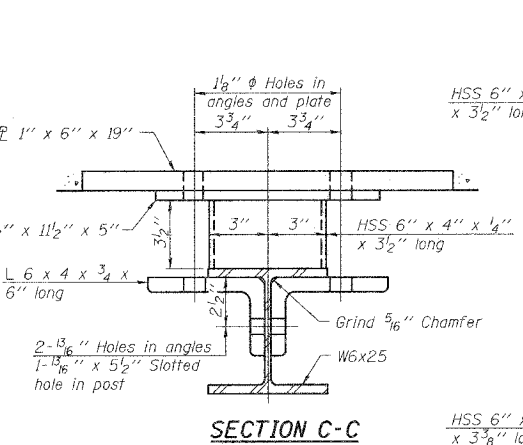
VIEW D-D



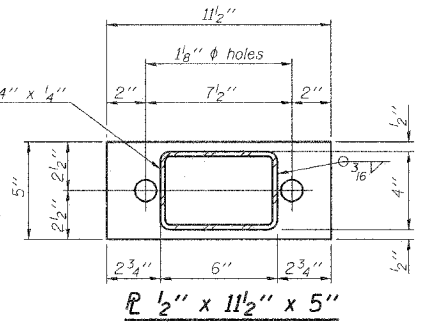
PLAN-BOTT. SPLICE TYPICAL

NOTES

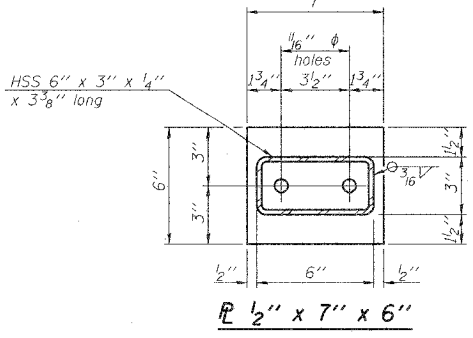
All field drilled holes shall be coated with an approved zinc rich paint before erection.  
 For multi-span bridges, sufficient 1/4" x 6" x 1'-2" galvanized steel shims shall be provided to align rail between adjacent spans. Cost included with Steel Bridge Rail, Type SM.  
 Steel rail elements shall be galvanized according to Article 509.05 of the Standard Specifications.  
 \*\*The studs of the anchor devices shall be placed below the top reinforcement bars and the outermost longitudinal reinforcement bar shall be placed directly above the studs of the rail post anchor device.



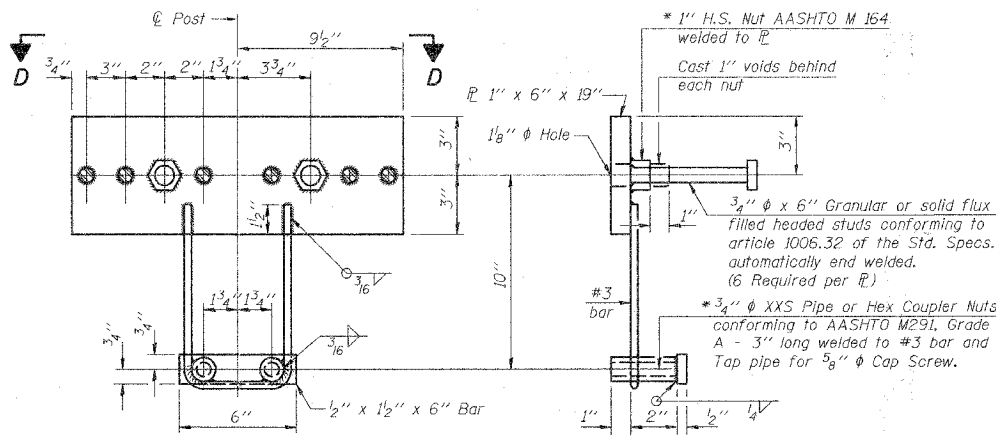
SECTION C-C



Anchor Device Detail



Anchor Device Detail



ANCHOR DEVICE

\* Threaded areas shall be plugged or blocked off during casting of beam. Galvanized after fabrication.

BILL OF MATERIAL

Item	Unit	Quantity
Steel Bridge Rail, Type SM	Foot	128

TYPE SM STEEL BRIDGE RAIL SIDE MOUNTED WITH CONCRETE WEARING SURFACE

Date	Designed	MJP	CS #900 (HARRY LAND ROAD) OVER TRIB. TO LAKE DECATUR SECTION 05-00205-00-BR MACON COUNTY STA. 15+93.29 PROP. STR. NO. 058-3386	Sheet No.
Revisions	Drawn	BKN		4
	Checked	KWB		of 7
	Approved	KWB		URS Job No. 36431928
Prepared by: URS			345 East Ash Avenue Decatur, IL 62526	