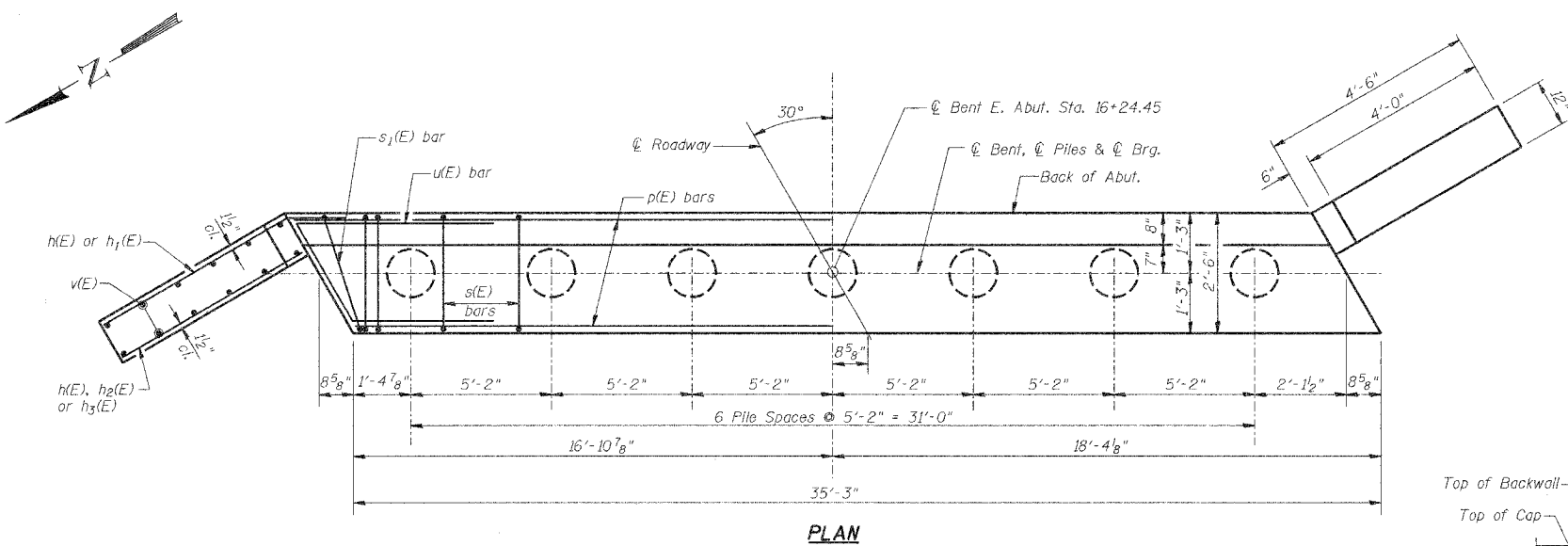
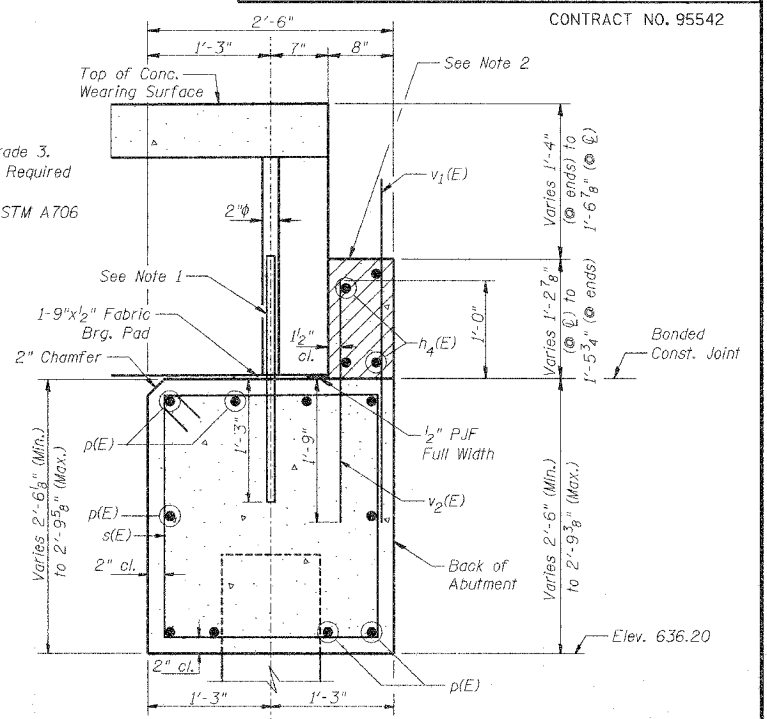
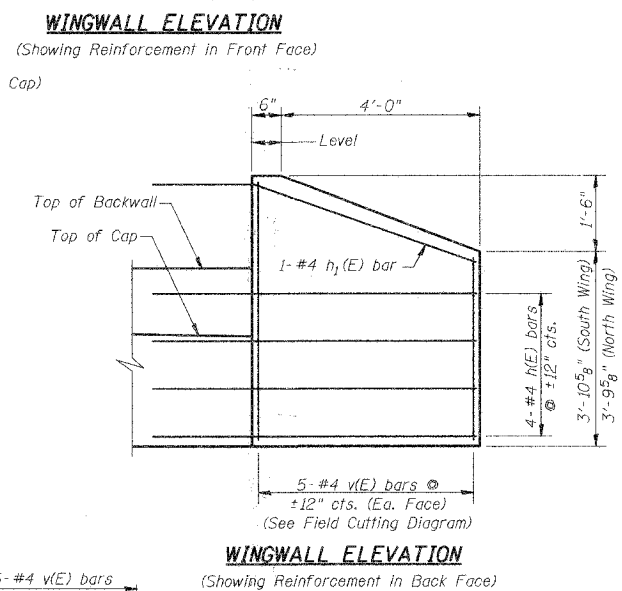
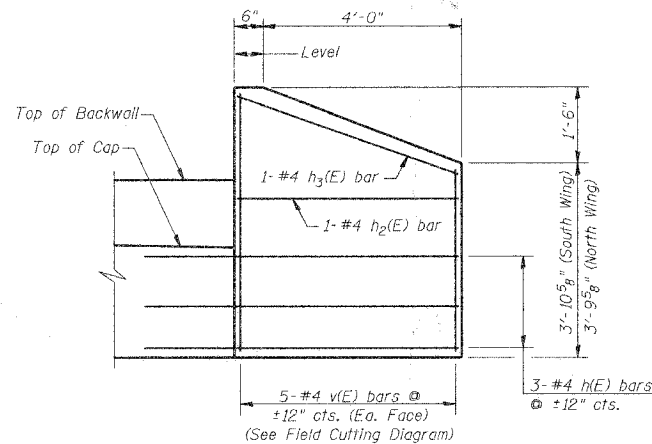
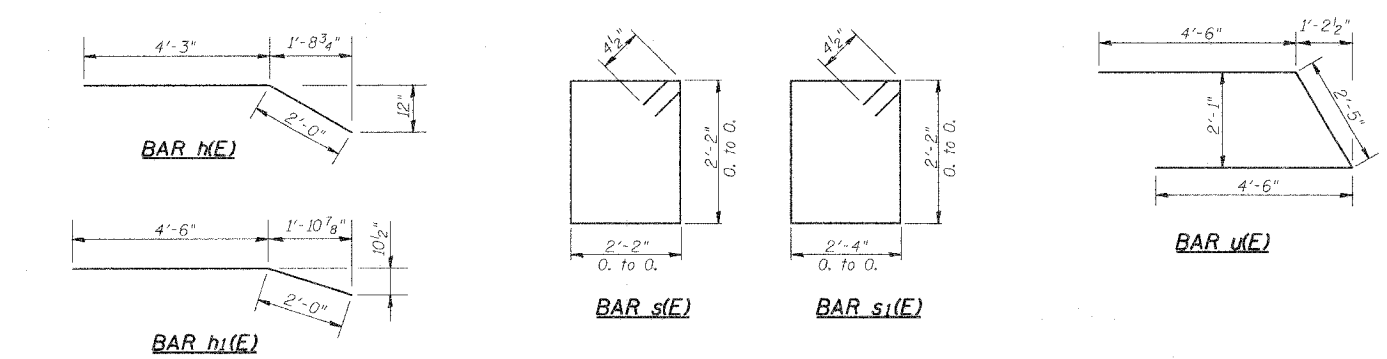
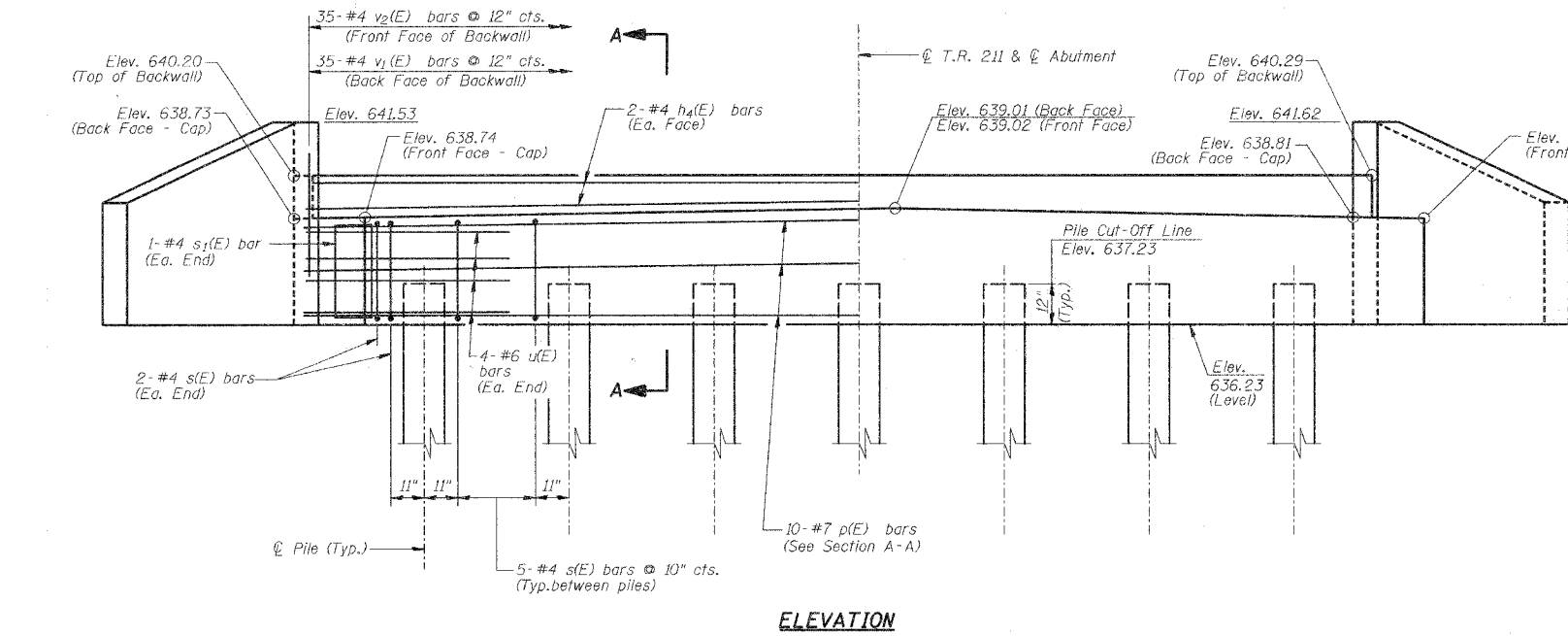


ROUTE NO.	SECTION	COUNTY	TOTAL SHEETS	SHEET NO.
CS #900	05-00205 -00-BR	MACON	23	22
FED. ROAD DIST. NO.	ILLINOIS PROJECT: BRM-51691(40)		CONTRACT NO. 95542	



- NOTES**
- After beams have been erected, 1/2" holes shall be drilled into substructure and 1" dia. x 2'-6" anchor dowels placed. Dowel holes shall be filled with non-shrink grout to top of beam and allowed to cure min. 24 hrs. prior to grouting shear keys.
 - Hatched area to be cast against the in-place beams.
 - Reinforcement bars designated (E) shall be Epoxy Coated.
 - The Metal Shell Piles shall be according to ASTM A 252 Grade 3.
 - The Test Pile shall be driven to 110 percent of the Nominal Required Bearing indicated in the Pile Data Information.
 - Reinforcement Bars shall conform to the requirements of ASTM A706 Grade 60 (IL Modified). See Special Provisions.

PILE DATA
 Type & Size: Metal Shell - 14 in. dia. x 0.25 in. walls
 Nominal Required Bearing: 228 Kips
 Allowable Resistance Available: 76 Kips
 Est. Length: 35'-0"
 No. Required: 6 plus 1 permanent test pile (at opposite end of boring location)



BILL OF MATERIAL EAST ABUTMENT

Bar	No.	Size	Length	Shape
h(E)	14	#4	6'-3"	
h1(E)	2	#4	6'-6"	
h2(E)	2	#4	4'-2"	
h3(E)	2	#4	4'-4"	
h4(E)	4	#4	34'-11"	
p(E)	10	#7	34'-11"	
s(E)	34	#4	9'-5"	
s1(E)	2	#4	9'-9"	
u(E)	8	#6	11'-5"	
v(E)	10	#4	8'-6"	
v1(E)	35	#5	4'-3"	
v2(E)	35	#5	2'-9"	
Reinforcement Bars, Epoxy Coated			Pound	1570
Concrete Structures			Cu. Yd.	11.5
Furnishing Metal Shell Piles 14"			Foot	210
Driving Piles			Foot	210
Test Pile Metal Shells			Each	1
Structure Excavation			Cu. Yd.	48.5

EAST ABUTMENT

Date	Designed MJP	CS #900 (HARRY LAND ROAD) OVER TRIB. TO LAKE DECATUR SECTION 05-00205-00-BR MACON COUNTY STA. 15+93.29 PROP. STR. NO. 058-3386	Sheet No.
Revisions	Drawn BKN		6
	Checked KWB		
	Approved KWB		
Prepared by:	URS 345 East Ash Avenue Decatur, IL 62526		of 7 URS Job No. 36431928