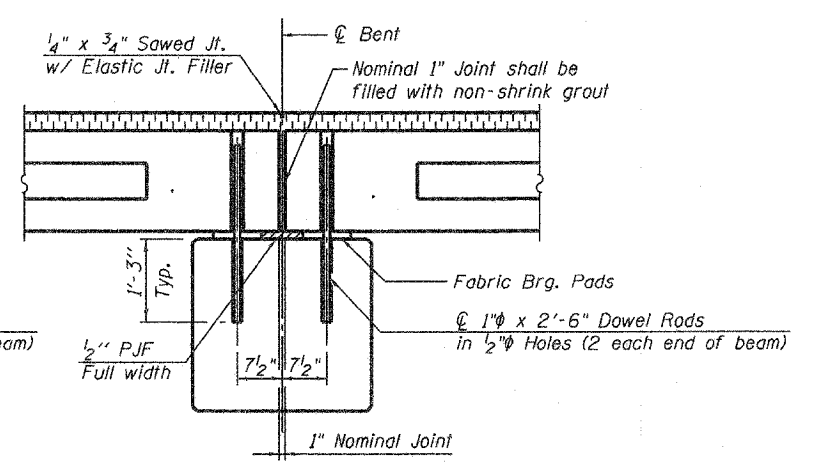


**SECTION AT ABUTMENTS**  
(Along  $\phi$  Beams)



**SECTION AT ABUTMENTS**  
(Along  $\phi$  Beams)

**QUANTITIES FOR ONE SPAN**

P.P.C. Concrete Deck Beams (17" Depth)	2,154 Sq. Ft.
Steel Railing, Type S1	180 Ft.

DESIGNED	SDS
CHECKED	CWC
DRAWN	DLH
CHECKED	SDS

**WHKS & CO.**

ENGINEERS PLANNERS LAND SURVEYORS

MASON CITY, IOWA DUBUQUE, IOWA AMES, IOWA  
E. DUBUQUE, ILLINOIS SPRINGFIELD, ILLINOIS ROCHESTER, MINNESOTA

**SUPERSTRUCTURE DETAILS**  
TR ROUTE 234A  
OVER JORDAN CREEK  
SECTION 04-20118-00-BR  
SHELBY COUNTY  
STA. 54+35

Operator: chbeberlin Date: 5/23/2008 File name: L:\Jobs\DOT\BBS\9556.BBS\Various\Various\9556.05\CADD - Sheet\Shelby 04-20118-00-BR.dgn