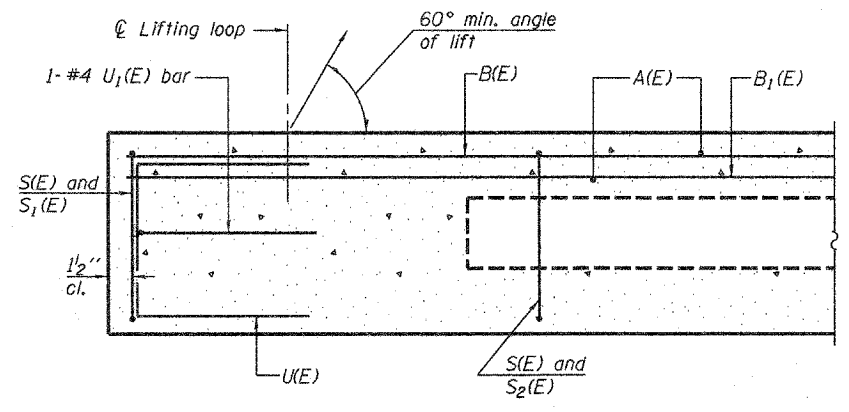
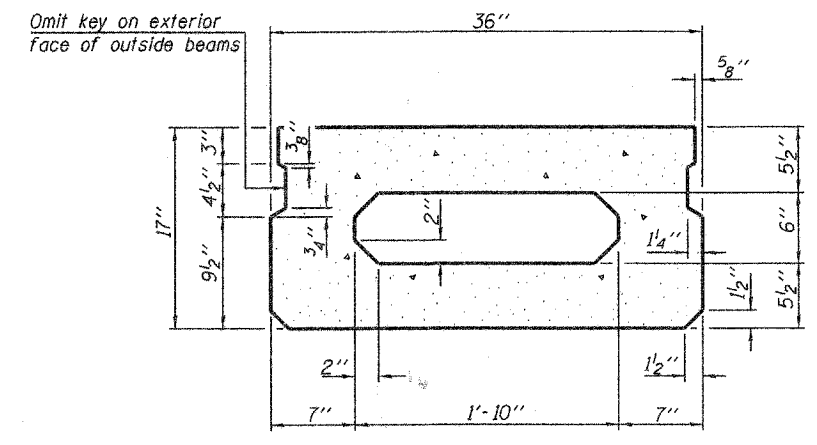


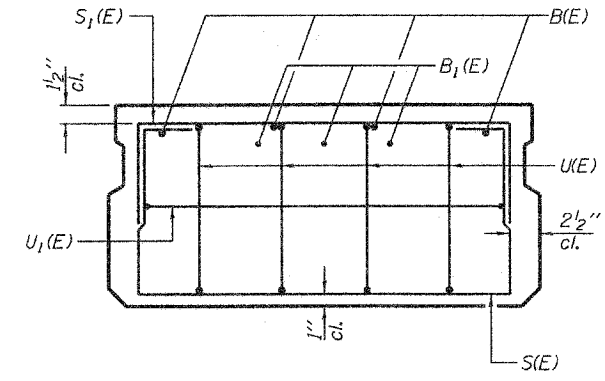
* 04-20118-00-BR CONTRACT NO. 95557



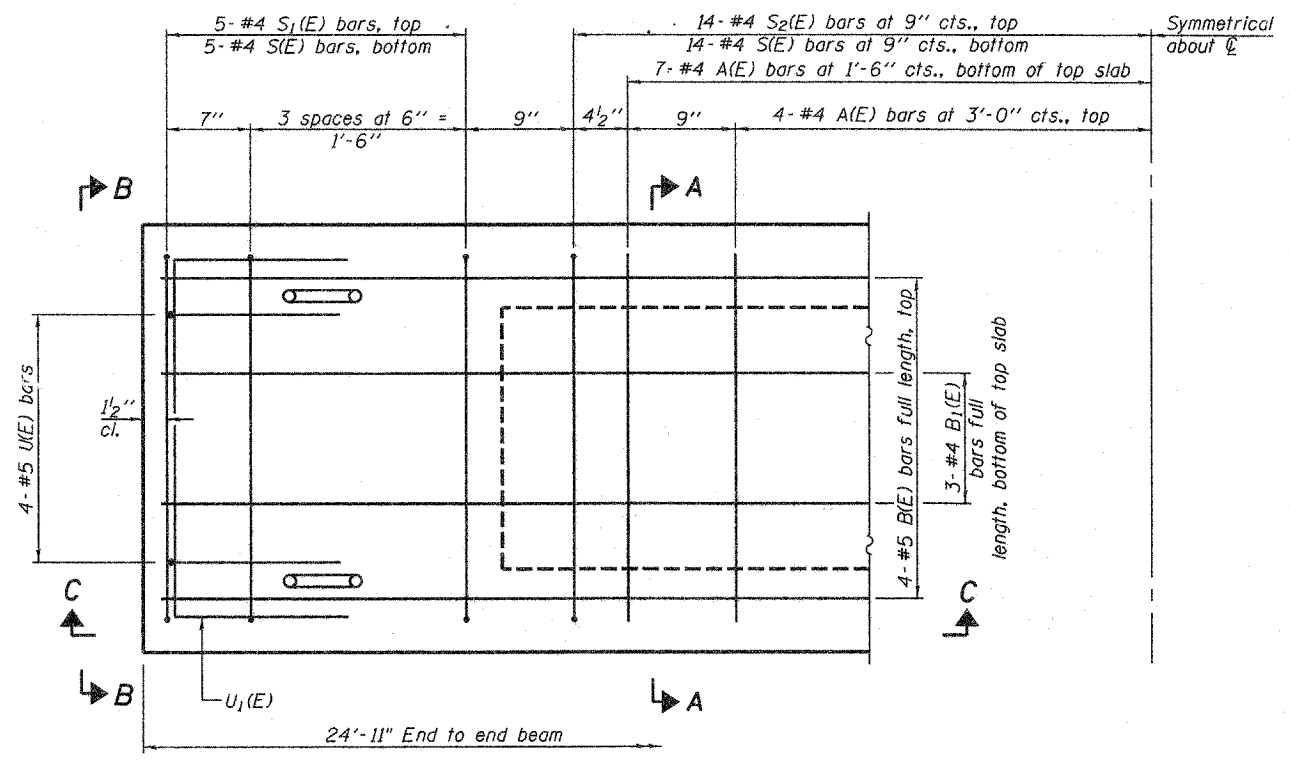
SECTION C-C



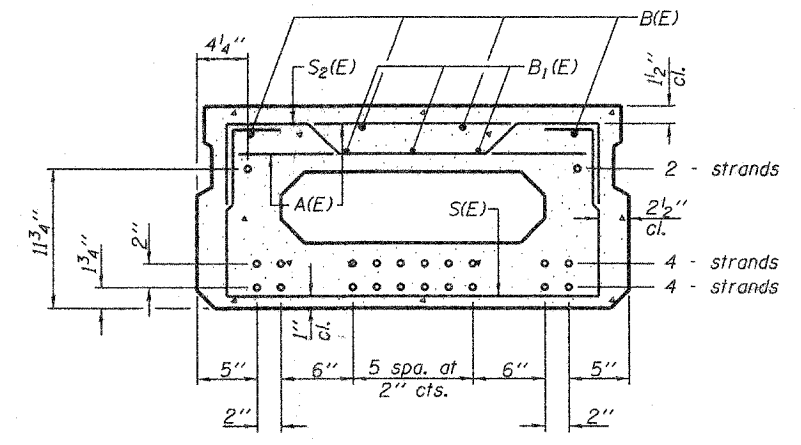
SECTION A-A
(Showing dimensions)



VIEW B-B



PLAN VIEW



SECTION A-A
(Showing reinforcement and permissible strand locations)

Note: Place the number of strands specified in each row symmetrically about the centerline of beam in the permissible strand locations shown.

BAR LIST
ONE BEAM ONLY
(For information only)

Bar	No.	Size	Length	Shape
A(E)	22	#4	2'-7"	—
B(E)	4	#5	24'-8"	—
B1(E)	3	#4	24'-8"	—
S(E)	38	#4	5'-9"	U
S1(E)	10	#4	4'-11"	U
S2(E)	28	#4	5'-2"	U
U(E)	8	#5	3'-8"	U
U1(E)	2	#4	5'-0"	U

Note: Spacing of S(E) and S2(E) bars may be adjusted up to 4" in the immediate area of the transverse tie diaphragms to miss the block outs for the transverse ties.

DESIGNED	SDS
CHECKED	CWC
DRAWN	DLH
CHECKED	SDS

WHKS & CO.
ENGINEERS PLANNERS LAND SURVEYORS
MASON CITY, IOWA DUBUQUE, IOWA AMES, IOWA
E. DUBUQUE, ILLINOIS SPRINGFIELD, ILLINOIS ROCHESTER, MINNESOTA

PD-1736-0

8-29-07

PPC DECK BEAM DETAILS (17" X 3'-0")
SPANS 1 AND 3
TR ROUTE 234A
OVER JORDAN CREEK
SECTION 04-20118-00-BR
SHELBY COUNTY
STA. 54+35

Operator: dnebarber Date: 5/23/2008 File: L:\Jobs\DOT_BB519655_BB519655_Various_Various\04-CADD_Sinus\Shelby_04-20118-00-BR.dwg