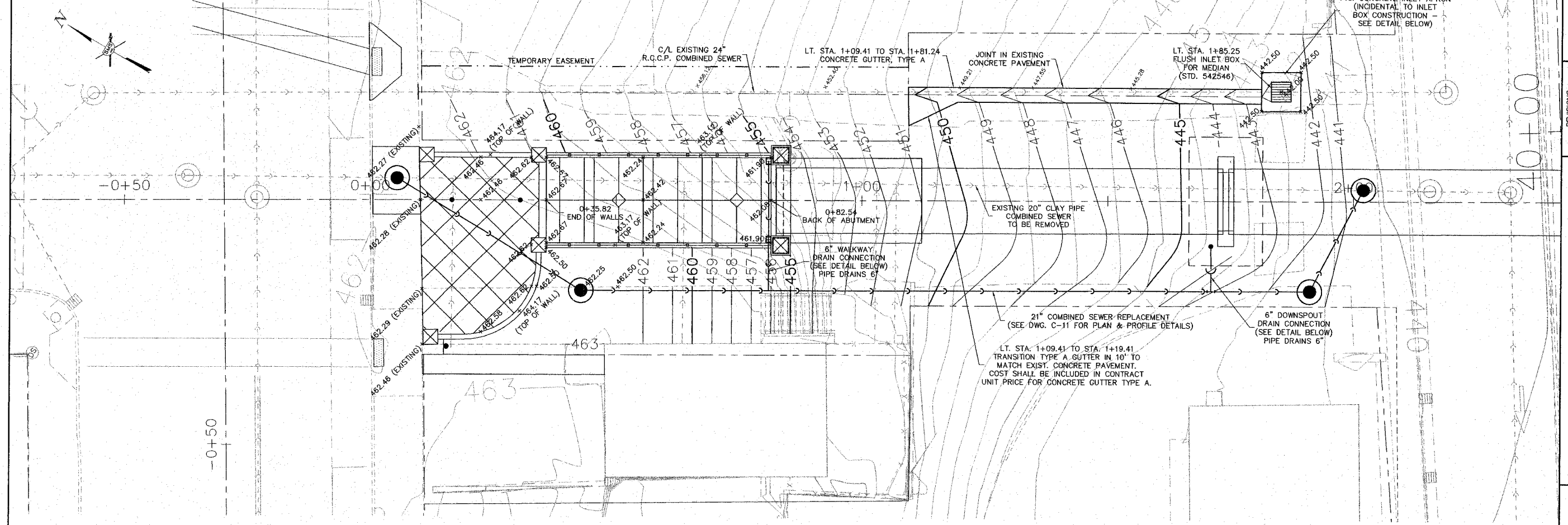


CONTRACT NO. 97326
SECTION 06-00224-00-BR

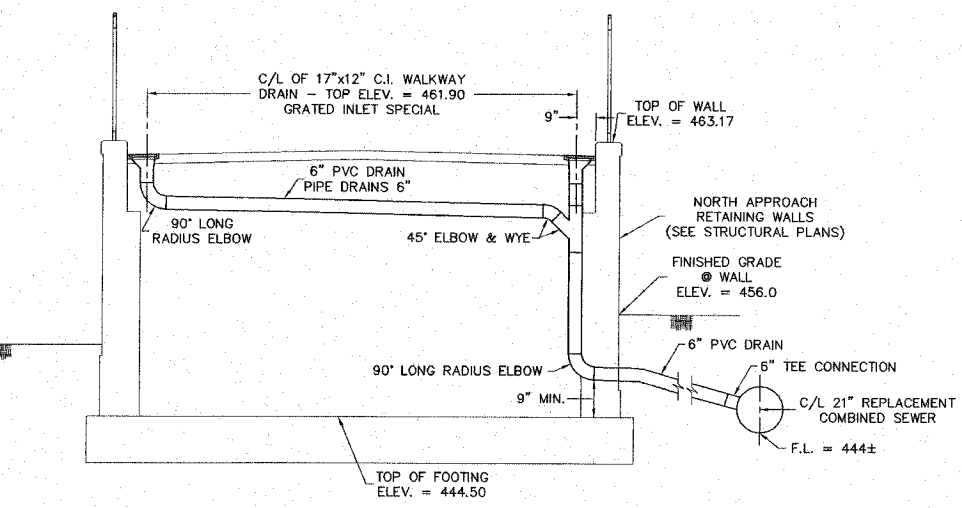


NO.	DESCRIPTION

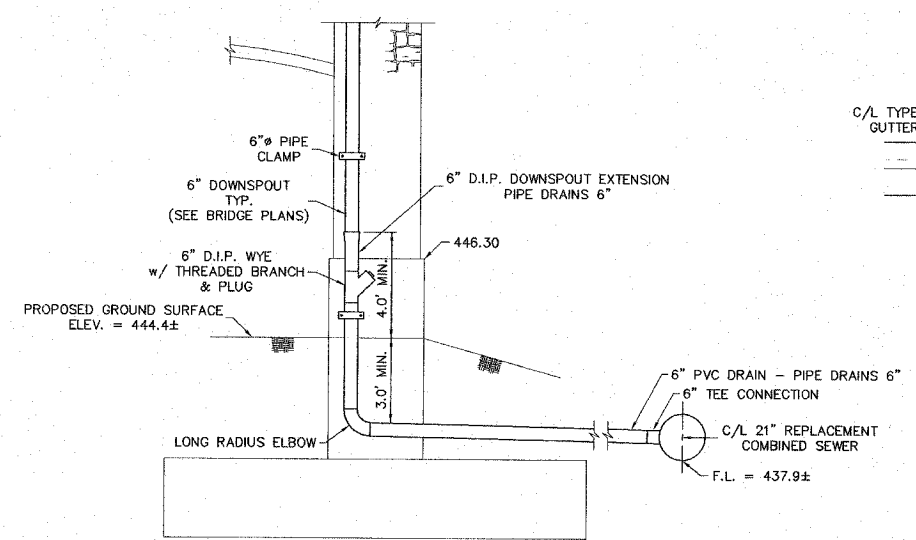
SMS Sheppard, Morgan & Schwaab, Inc.
ENGINEERS
CONSULTING ENGINEERS AND LAND SURVEYORS
2125 Market Street, P.O. Box 6, Alton, IL 62802 618-426-9755 E-mail: sms@smsengineers.com
10 Central Industrial Drive, Granite City, IL 62040 618-977-4700 E-mail: mail@smsengineers.com
DESIGN FIRM # 184-000992

ALTON, ILLINOIS
PEDESTRIAN OVERPASS AT LANGDON ST.
DETAILED GRADING AND DRAINAGE PLAN
NORTH APPROACH

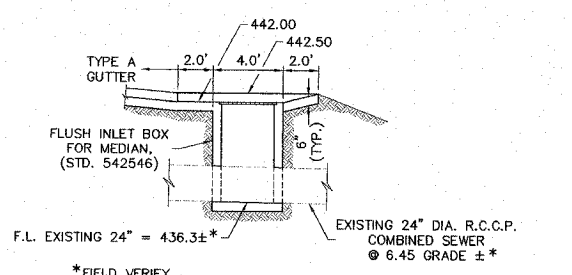
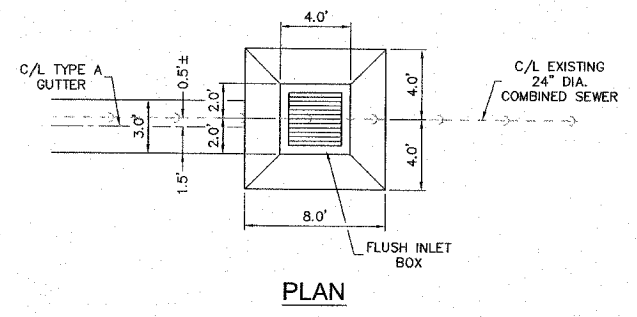
DWG. NO. C-11
GRADING PLAN.DWG
REF. BK. 5030 PG. 1
JOB NO. 406924.1
DSN. BY: CLS
DWN. BY: CAD
CHK. BY: CLS
DATE: MARCH 31, 2008
SCALE: 1" = 10'
SHEET 12 OF 54



SECTION DETAIL - WALKWAY DRAIN @ STA. 0+81.04
NOTE: MINIMUM SLOPE ON 6" DRAIN = 2.0%



SECTION DETAIL - DOWNSPOUT DRAIN @ STA. 1+71.04
NOTE: MINIMUM SLOPE ON 6" DRAIN = 2.0%



ELEVATION
FLUSH INLET BOX
SCALE: 1" = 5'