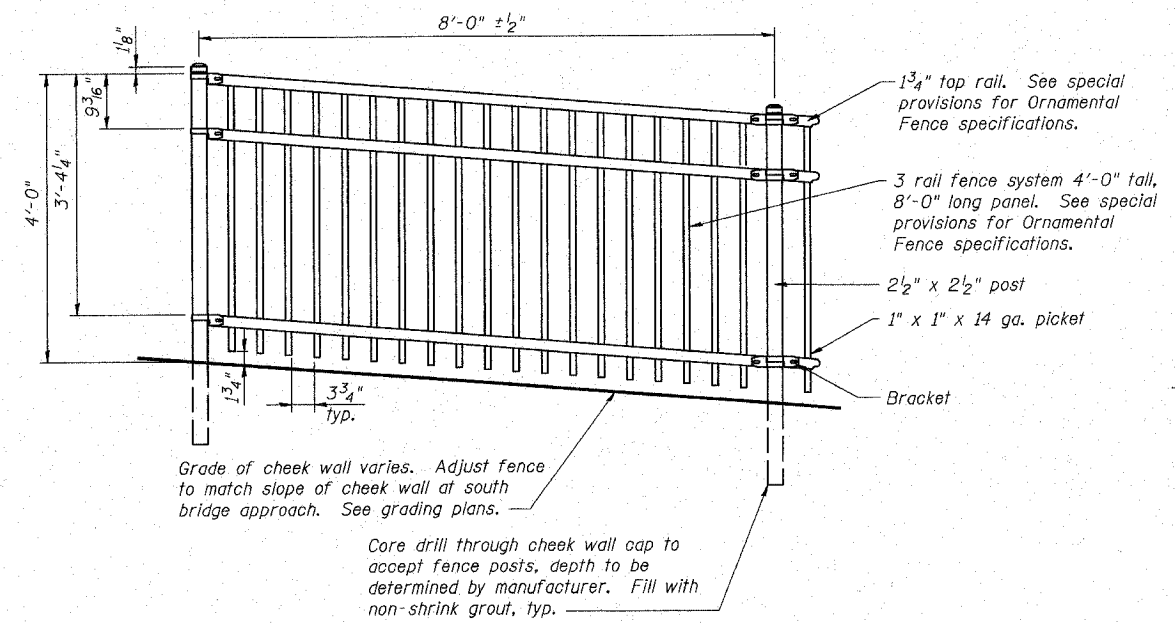
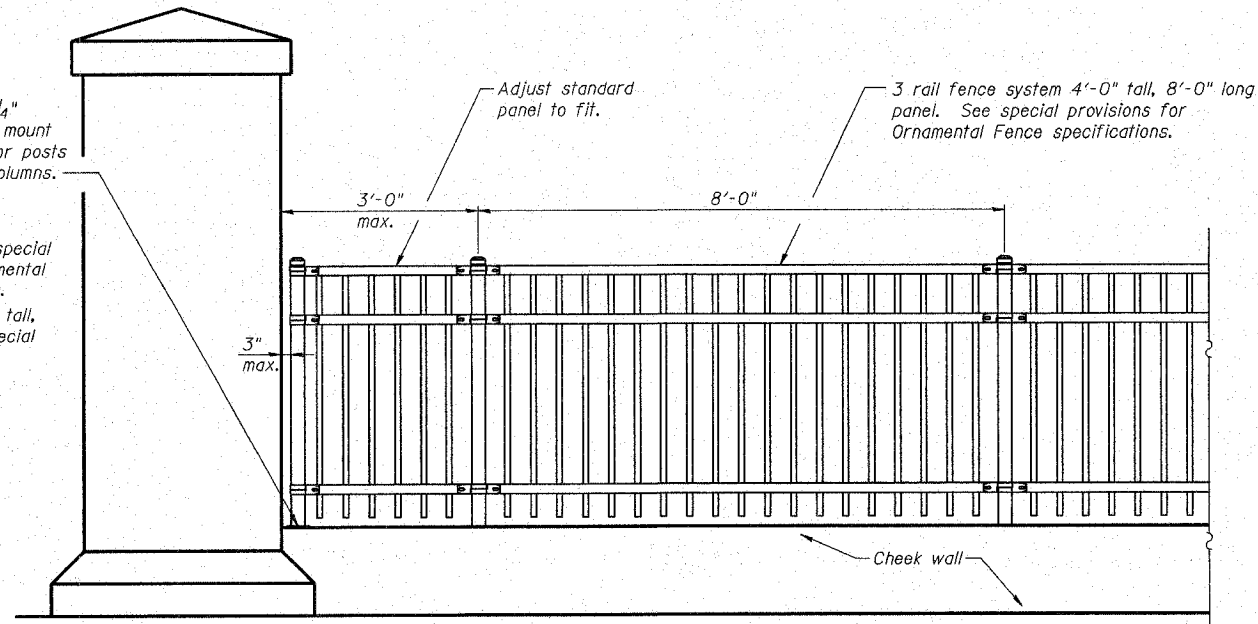
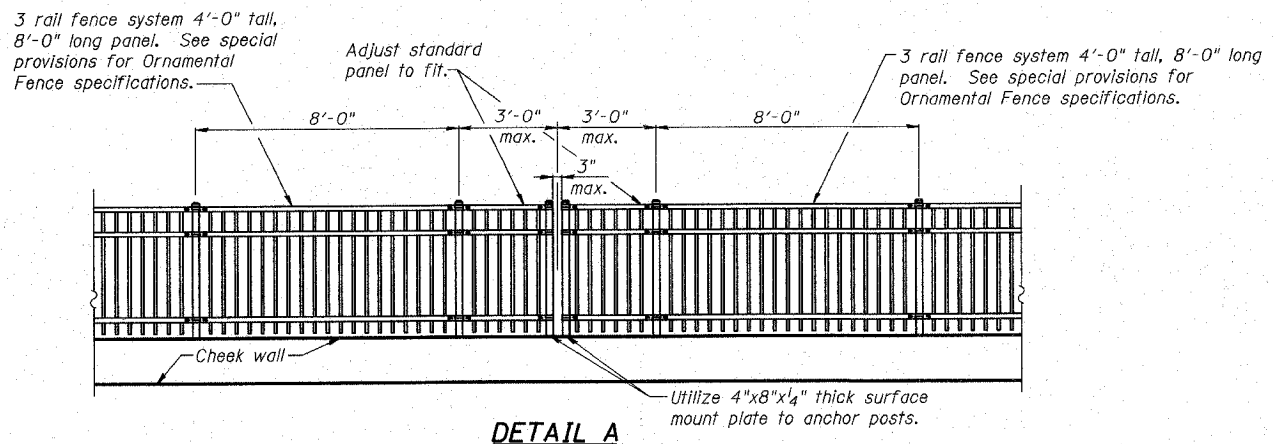


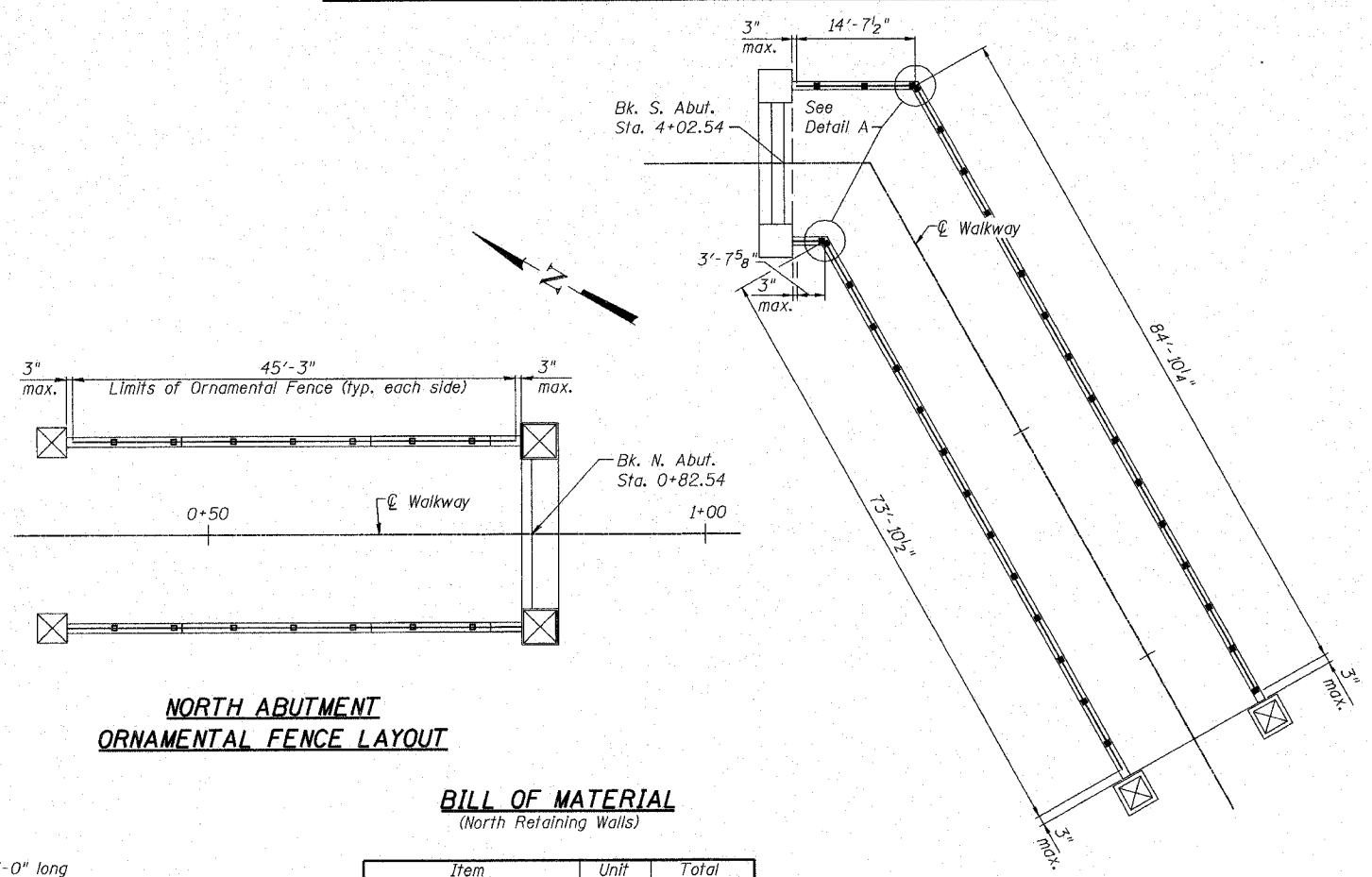
TYPICAL ORNAMENTAL FENCE PANEL AT NORTH APPROACH



TYPICAL ORNAMENTAL FENCE PANEL AT SOUTH APPROACH



TYPICAL ORNAMENTAL FENCE AT ARCHITECTURAL COLUMNS



NORTH ABUTMENT ORNAMENTAL FENCE LAYOUT

BILL OF MATERIAL (North Retaining Walls)

Item	Unit	Total
Ornamental Fence	Foot	90.5

BILL OF MATERIAL (South Retaining Walls)

Item	Unit	Total
Ornamental Fence	Foot	177.0

SOUTH ABUTMENT ORNAMENTAL FENCE LAYOUT

**ORNAMENTAL FENCE DETAILS
ALTON PEDESTRIAN WALKWAY OVER
UNION PACIFIC RAILROAD, NORFOLK
SOUTHERN RAILROAD AND US ROUTE 67
SECTION 06-00224-00-BR
MADISON COUNTY
STA. 2+42.54
STRUCTURE NO. 060-6111**

NO.	DESCRIPTION

Equipart Business Center 1
100 Lander Court, Suite 1
Cullman, AL 35956-1224
Phone: 810-345-2220
Fax: 810-345-2220
www.commissionaires.com

COMMISSIONAIRES
Consulting Engineers

**ALTON, ILLINOIS
PEDESTRIAN OVERPASS AT LANGDON ST.**

DWG. NO. S22
6111-22-ORNMENTLFVCSHT.DGN
REF. BK. PG.
JOB NO.
DSN. BY: JGS
DWN. BY: JGS
CHK. BY: DGL
DATE: 3/28/08
SCALE:
SHEET 42 OF 54