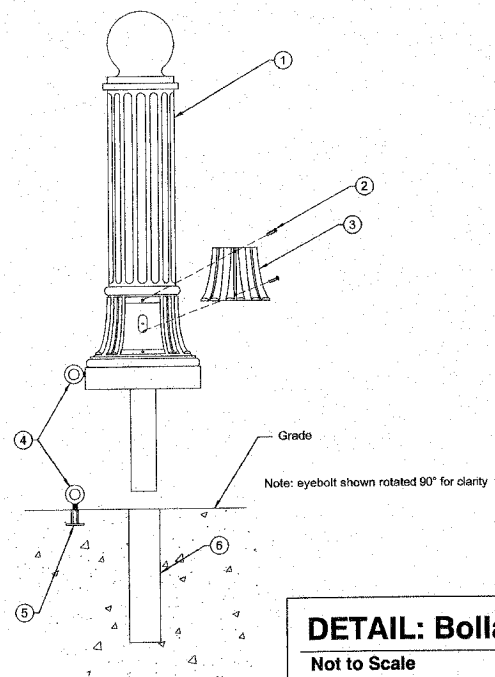


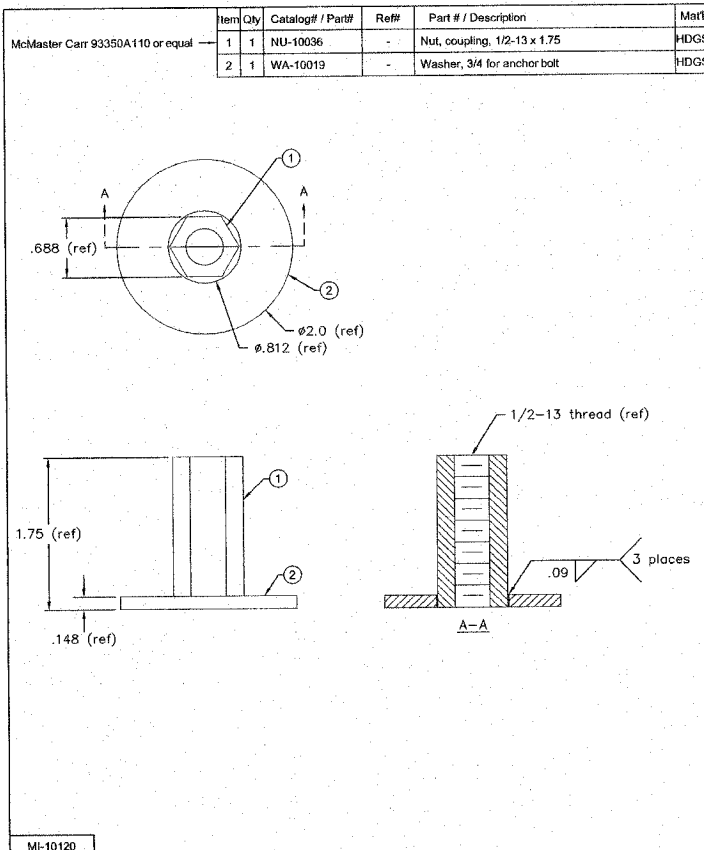
| Item | Qty | Catalog# / Part# | Ref# | Description | Mat# |
|------|-----|------------------|--------|--|------|
| 1 | 1 | | 110409 | BCA BC13 REM/LCK (Eyebolt type) WELDMENT | CA |
| 2 | 2 | SC-10210 | | SCRW 1/4-20X1" BTN HD SOC CAP SS | SS |
| 3 | 1 | DR-09618 | 105749 | Capitol bollard Base door machined | CA |
| 4 | 2 | SC-10548 | | SCRW 1/2-13x1 1/2" EYE 304 SS | SS |
| 5 | 1 | | 108902 | CONCRETE ANCHOR 1/2 - 13 x 1-3/4 | HDGS |
| 6 | 1 | PI-10077-15 | | PIPE STL 3" SCH 40 x 15' Cut Length | STL |



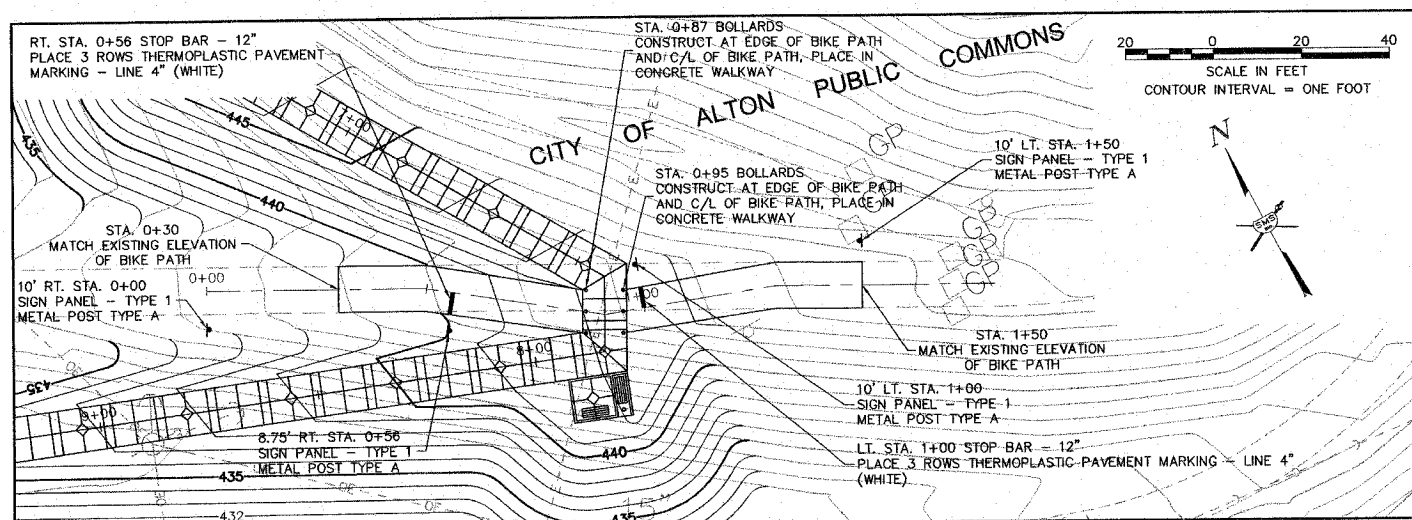
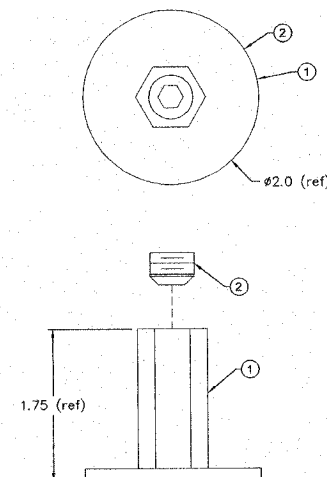
DETAIL: Bollard - Non-Lighted

Not to Scale

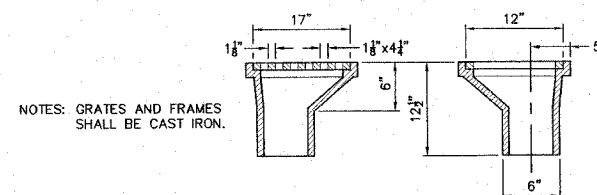
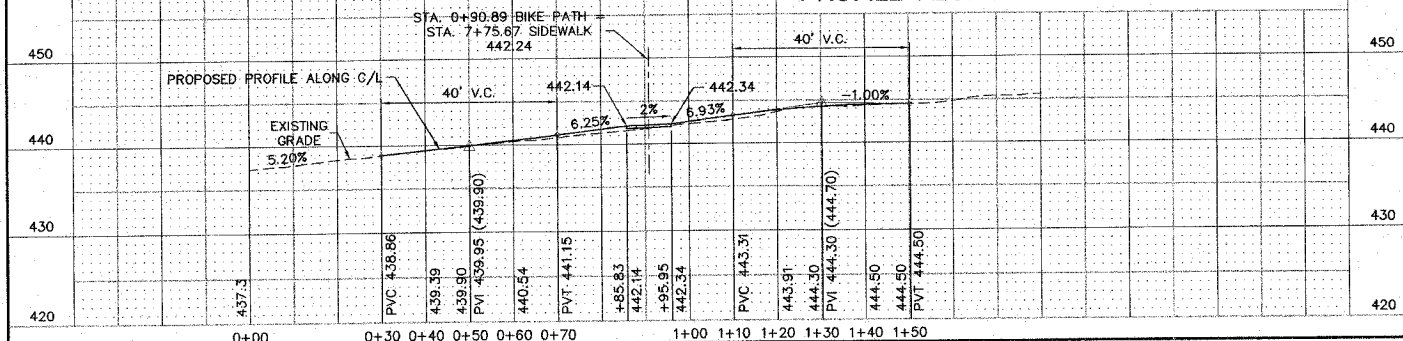
TO BE USED: STA. 0+16.6
STA. 0+30.5
STA. 4+98
STA. 0+87 (3 EACH)
STA. 0+95 (3 EACH)



| Item | Qty | Catalog# / Part# | Ref# | Part # / Description | Mat# |
|------|-----|------------------|--------|---|------|
| 1 | 1 | MI-10120 | 108901 | Concrete anchor weldment, 1/2-13 x 1.75 | HDGS |
| 2 | 1 | SC-10088 | | Screw 1/2-13 x .375 socket set screw | SS |



PROFILE ALONG RELOCATED BIKE PATH



DETAIL: GRATED INLET SPECIAL

Not to Scale

NOTES: GRATES AND FRAMES SHALL BE CAST IRON.

REVISIONS

SMS ENGINEERS
Sheppard, Morgan & Schwaab, Inc.
CONSULTING ENGINEERS AND LAND SURVEYORS
218 North State, P.O. Box E, Alton, IL 62002, 618452-3765. E-mail: sms@smsengineers.com
401 Cameron Street, Suite 100, Alton, IL 62002, 618452-3765. E-mail: sms@smsengineers.com
DESIGN FIRM # 184-000992

ALTON, ILLINOIS
PEDESTRIAN OVERPASS AT LANGDON ST.
DETAILS

DWG. NO. C-15
DETAILS.DWG
REF. BK. 5030 PG. 1
JOB NO. 406924.1
DSN. BY: CLS
DWN. BY: CAD
CHK. BY: CLS
DATE: MARCH 31, 2008
SCALE: AS SHOWN
SHEET 48 OF 54