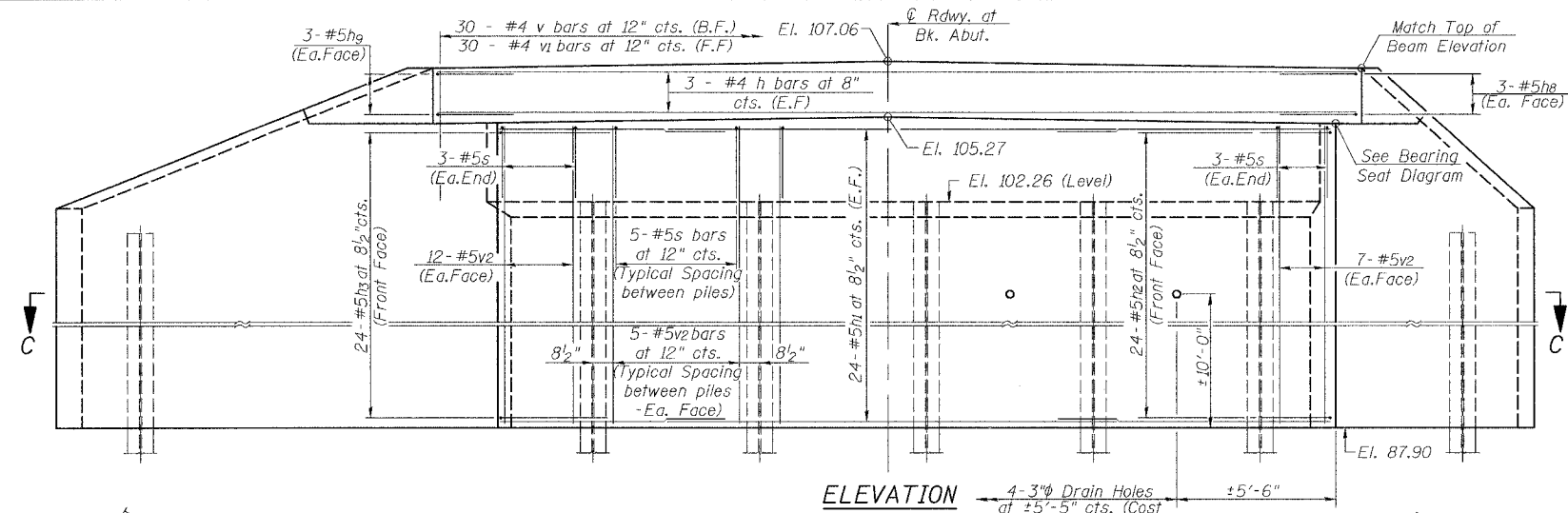
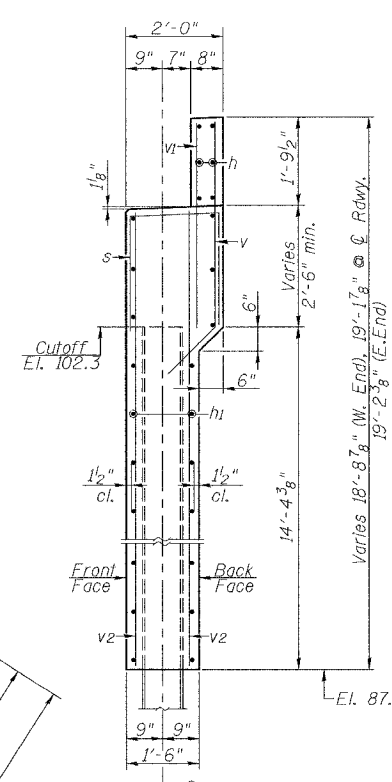


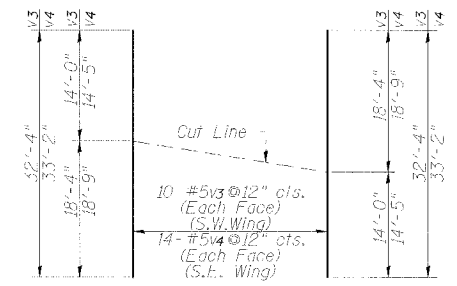
T.R. RTE.	SECTION	COUNTY	TOTAL SHEETS	SHEET NO.
50	05-03104-00-BR	JERSEY	12	7
FED. ROAD DIST. NO. - ILLINOIS FED. AID PROJECT			CONTRACT NO. 97334	



ELEVATION



SECTION A-A



V3 & V4 - BAR CUT DIAGRAM

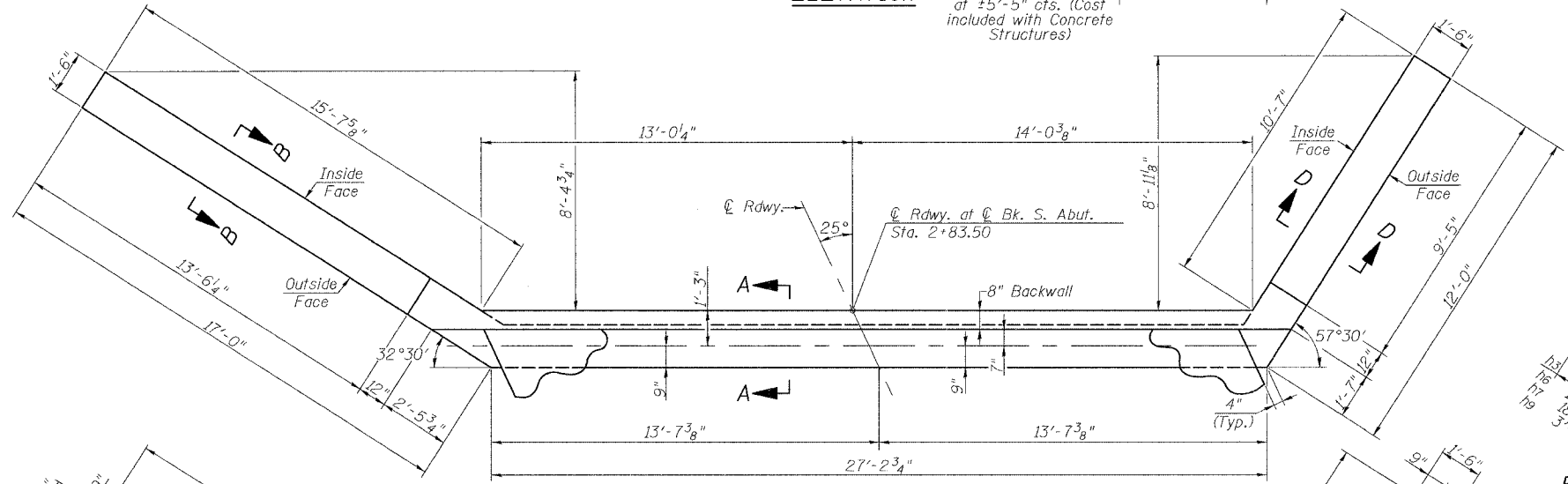
Note: Order v3 and v4 bars full length. Lay out in field as shown. Cut along cut line. Use remainder of bar in opposite face of wingwall.

PILE DATA

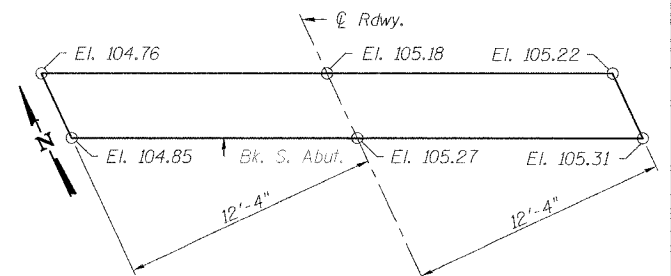
Type:	Steel HP 10x42
Nominal Required Bearing:	294 Kips
Allowable Resistance Available:	98 Kips
Est. Length:	58'
No. of Production Piles:	6
No. of Test Piles:	1

The test pile shall be driven to 110 percent of the Nominal Required Bearing indicated in the pile data information.

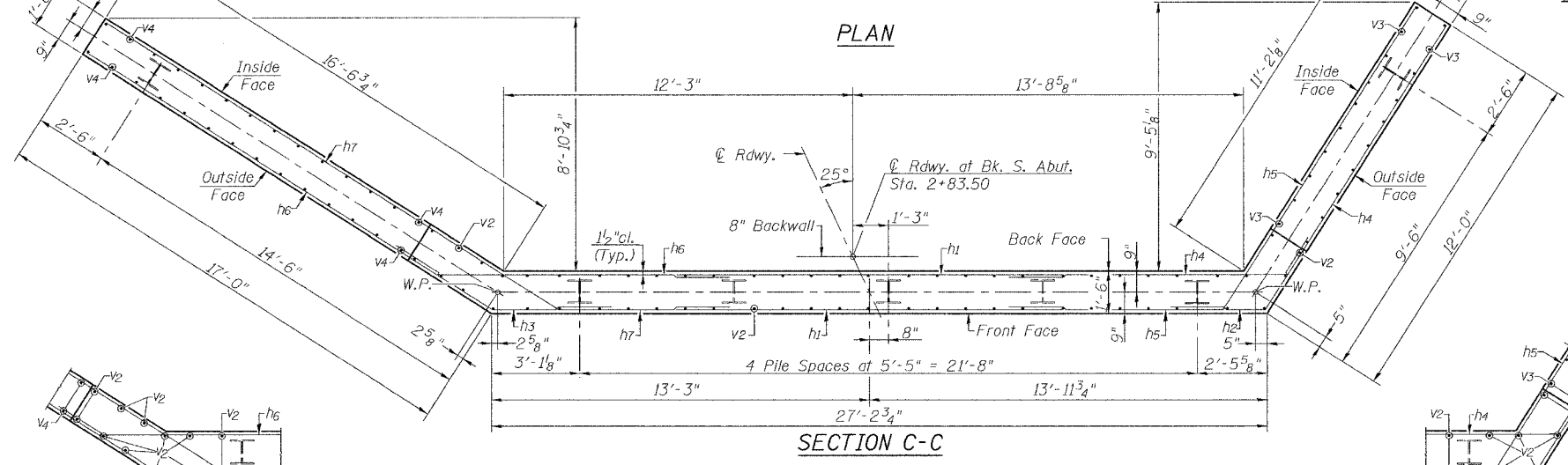
The Steel H-Piles shall be according to AASHTO M270 Grade 50.



PLAN



SOUTH ABUTMENT BEARING SEAT DIAGRAM



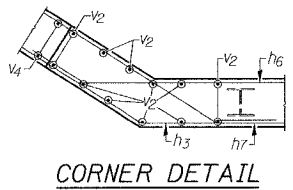
SECTION C-C

BARS h3, h6, h7, & h9

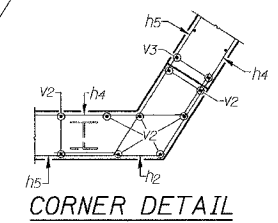
BARS h2, h4, h5, & h8

BAR s

BAR v



CORNER DETAIL



CORNER DETAIL

SOUTH ABUTMENT BILL OF MATERIAL

Bar	No.	Size	Length	Shape
h	6	#4	29'-11"	
h1	48	#5	20'-0"	
h2	24	#5	6'-8"	
h3	24	#5	8'-4"	
h4	24	#6	16'-0"	
h5	24	#6	16'-1"	
h6	24	#8	22'-1"	
h7	24	#8	22'-0"	
h8	6	#5	4'-0"	
h9	6	#5	6'-0"	
h10	4	#5	10'-6"	
h11	4	#5	15'-3"	
s	26	#5	6'-6"	
v	30	#5	6'-0"	
v1	30	#5	3'-6"	
v2	59	#5	16'-6"	
v3	10	#5	32'-4"	
v4	14	#5	33'-2"	
Reinforcement Bars				Pound 7960
Concrete Structures				Cu. Yd. 54.9
Furnishing Steel Piles HP10x42				Foot 348
Driving Steel Piles				Foot 348
Test Pile Steel HP 10x42				Each 1
Structure Excavation				Cu. Yd. 199

FILE NAME =	USER NAME = #USER#	DESIGNED -	REVISED -
6711 FL 4		DRAWN -	REVISED -
		CHECKED -	REVISED -
		DATE -	REVISED -

Allen Henderson & Associates, Inc.
Civil and Structural Engineers Springfield, IL
62703 Phone: (217)544-8033 IL Design Firm
No. 184-001907

SOUTH ABUTMENT
SCALE: SHEET NO. 7 OF 12 SHEETS STA. 1+40 TO STA. 5+10

T.R. RTE.	SECTION	COUNTY	TOTAL SHEETS	SHEET NO.
50	05-03104-00-BR	JERSEY	12	7
FED. ROAD DIST. NO. - ILLINOIS FED. AID PROJECT			CONTRACT NO. 97334	