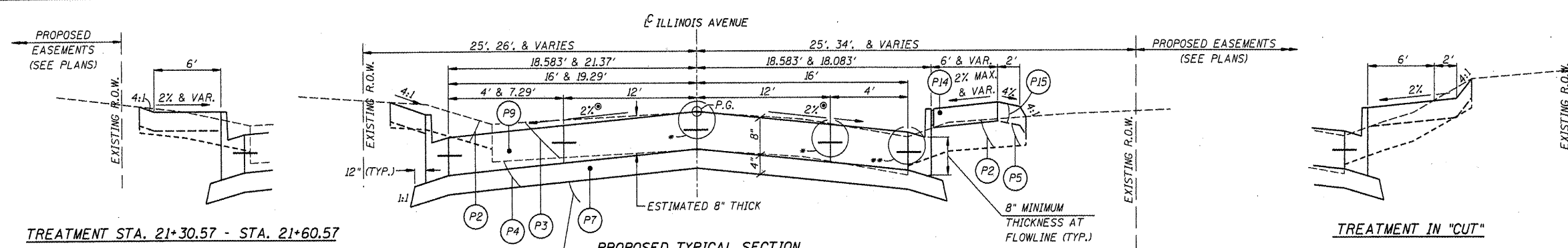


F.A.U. RTE.	SECTION	COUNTY	TOTAL SHEETS	SHEET NO.
9315	05-00032-02-PV	MONROE	55	7
STA.		TO STA.		
FED. ROAD DIST. NO.	ILLINOIS	FED. AID PROJECT		
CONTRACT NO. 97349				



TREATMENT STA. 21+30.57 - STA. 21+60.57

PAVEMENT DESIGN INFORMATION
 (IN ACCORDANCE WITH IDOT LOCAL ROADS, MECHANISTIC-BASED PAVEMENT DESIGN PROCEDURES FOR RIGID PAVEMENT)
 USE THE SAME PAVEMENT STRUCTURE AS FOR MOORE STREET.

SUBGRADE PREPARATION PER SECTION 301 OF STD. SPEC. (NOT PAID FOR SEPARATELY)

PROPOSED TYPICAL SECTION

ILLINOIS AVENUE
 STA. 21+30.57 TO STA. 21+60.57 & STA. 21+98.59 TO STA. 22+65.00
 VARIES, RIGHT OF CENTERLINE FROM STA. 21+98.59 TO STA. 22+65.00.
 2% & VARIES, LEFT OF CENTERLINE FROM STA. 21+98.59 TO STA. 22+65.00.
 SEE INTERSECTION DETAILS.

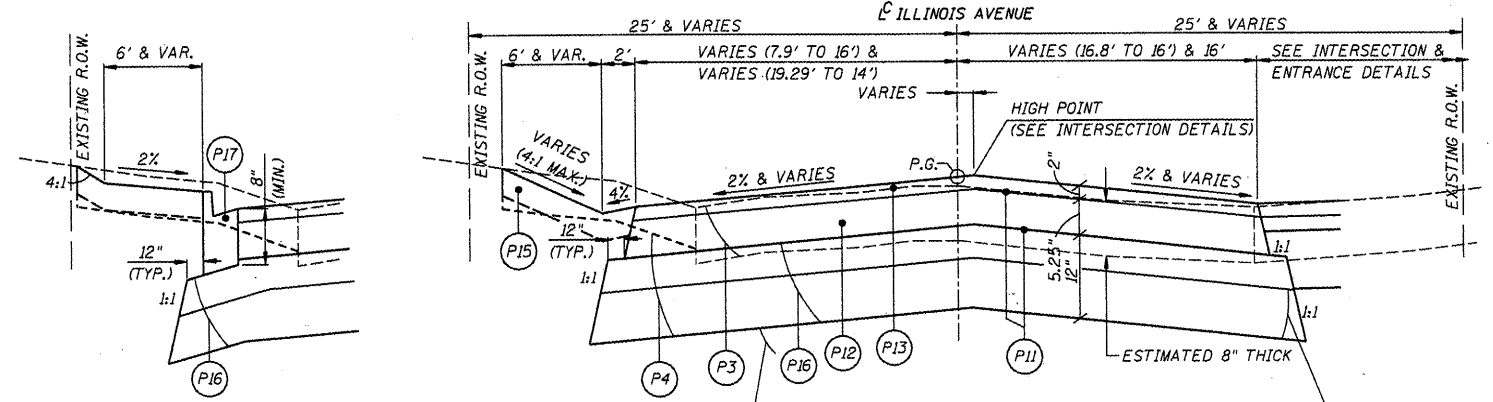
TREATMENT IN "CUT"

PROPOSED TYPICAL SECTION LEGEND

- (P1) PAVEMENT REMOVAL, SIDEWALK REMOVAL, AND OTHER REMOVALS DENOTED ELSEWHERE IN THE PLANS
- (P2) TOPSOIL REMOVAL, 6" (PART OF PAY ITEM. SEE EARTHWORK SCHEDULE)
- (P3) REMOVAL AND DISPOSAL OF UNSUITABLE MATERIAL
- (P4) EARTH EXCAVATION
- (P5) EMBANKMENT (NOT A PAY ITEM. EARTH EXCAV. OR FURNISH. EXCAV. MATERIAL)
- (P6) EMBANKMENT (NOT A PAY ITEM. FURNISHED EXCAVATION MATERIAL)
- (P7) SUBBASE GRANULAR MATERIAL, TYPE A, 4"
- (P8) COMBINATION CONCRETE CURB AND GUTTER, TYPE B-6.18
- (P9) PORTLAND CEMENT CONCRETE PAVEMENT, 8" (JOINTED)
- (P10) SUBBASE GRANULAR MATERIAL, TYPE A, 8"
- (P11) BITUMINOUS MATERIALS (PRIME COAT) + AGGREGATE (PRIME COAT)
- (P12) HOT-MIX ASPHALT BINDER COURSE, IL-19.0, N70 (5.25" THIS SHEET)
- (P13) HOT-MIX ASPHALT SURFACE COURSE, MIX "C", N70 (2" THIS SHEET)
- (P14) PORTLAND CEMENT CONCRETE SIDEWALK, 4"
- (P15) TOPSOIL PLACEMENT, 4" (PART OF PAY ITEM. SEE EARTHWORK SCHEDULE)
- (P16) SUBBASE GRANULAR MATERIAL, TYPE A, 12"
- (P17) COMBINATION CONCRETE CURB AND GUTTER, TYPE B-6.24

* NO. 6 BARS, 30" LONG, AT 30" CENTERS (TYPICAL)
 "SAWED LONGITUDINAL JOINT" PER IDOT HWY. STD. 420001.
 NOTE THAT IF ADJOINING PANELS ARE POURED IN THE SAME POUR, THE JOINT DOES NOT NEED TO BE SAWN AFTER PLACEMENT.

** NO. 6 BARS, EPOXY-COATED, 30" LONG, AT 24" CENTERS (TYPICAL)
 IF CURB AND GUTTER IS POURED MONOLITHICALLY WITH ADJOINING PAVEMENT, THE GUTTER PAN MUST BE 6X PER IDOT HWY. STD. 606001.
 TIE BARS CANNOT BE OMITTED W/MONOLITHIC POUR. THE EDGE OF PAVEMENT MUST BE SAWN AND SEALED, PER IDOT HWY. STD. 420001'S "SAWED LONGITUDINAL JOINT". IF CURB IS POURED MONOLITHICALLY, IF CURB IS POURED SEPARATE, BAR MUST STILL BE PLACED, BUT SAWN AND SEALED JOINT IS NOT REQUIRED.



TREATMENT FOR CURB + HMA

PAVEMENT DESIGN INFORMATION
 (IN ACCORDANCE WITH IDOT LOCAL ROADS, MECHANISTIC-BASED, FULL-DEPTH HMA PAVEMENT DESIGN PROCEDURES FOR FLEXIBLE PAVEMENT)
 USE THE SAME PAVEMENT STRUCTURE AS FOR MOORE STREET.

SUBGRADE PREPARATION PER SECTION 301 OF STD. SPEC. (NOT PAID FOR SEPARATELY)

PROPOSED TYPICAL SECTION

ILLINOIS AVENUE
 STA. 20+85.58 TO STA. 21+30.57 & STA. 22+65.00 TO STA. 22+75.27

EXCAVATE FOR, PLACE, & COMPACT 7.25" OF MATERIAL IN CONJUNCTION WITH P.C.C. SECTION TO AVOID SUBSEQUENT UNDERMINING

MIXTURE COMPOSITION TABLE

MIXTURE USE:	SURFACE	BINDER
APPLICATION:	HOT-MIX ASPHALT SURFACE COURSE, MIX "D", N70	HOT-MIX ASPHALT BINDER COURSE, IL-19.0, N70
AIR VOIDS / Ndes:	4.0% AT Ndes 70	4.0% AT Ndes 70
PG BINDER GRADE:	PG 64-22	PG 64-22
MIXTURE COMPOSITION:	IL-9.5	IL-19.0
FRICTION AGGREGATE:	MIXTURE D	-
RAP % (MAX.):	10%	15%
MIXTURE WEIGHT:	112 LBS./SQ. YD./INCH	112 LBS./SQ. YD./INCH

ILLINOIS DEPARTMENT OF TRANSPORTATION

**TYPICAL SECTIONS
 ILLINOIS AVENUE**

SCALE _____ DRAWN BY _____
 DATE _____ CHECKED BY _____

CADD FILE: 5801/5801-typical02.dgn
 PLOTTED: 8/24/05

H.M. & G. NO. 5801