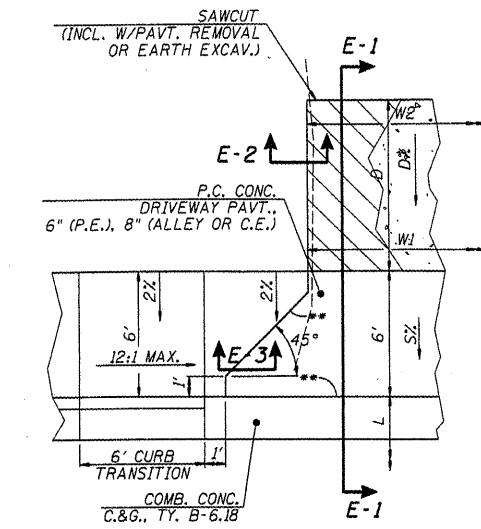
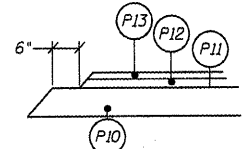


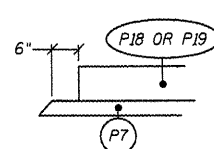
F.A.U. RTE.	SECTION	COUNTY	TOTAL SHEETS	SHEET NO.
9315	05-00032-02-PV	MONROE	55	12
STA.	TO STA.			
FED. ROAD DIST. NO.	ILLINOIS	FED. AID PROJECT		
CONTRACT NO. 97349				



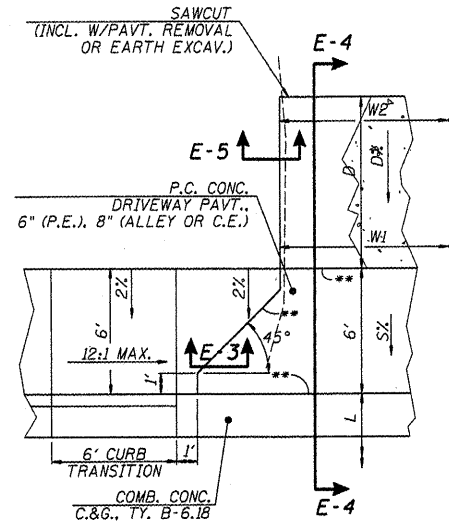
PLAN-1
SEE PLAN & PROFILES FOR LOCATION OF TROWELLED JOINTS IN P.C. DRIVEWAY PAVEMENTS



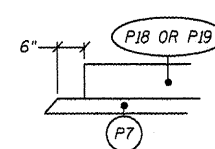
SECTION E-2 - E-2



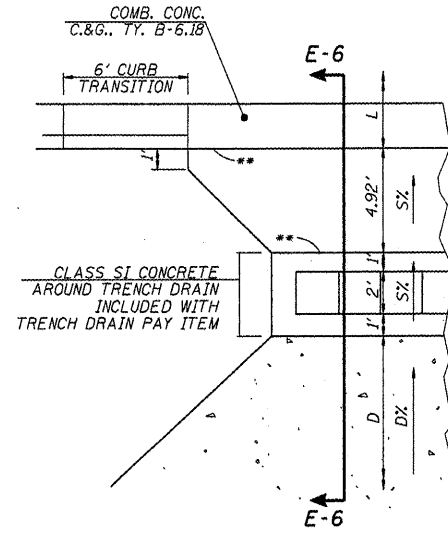
SECTION E-3 - E-3



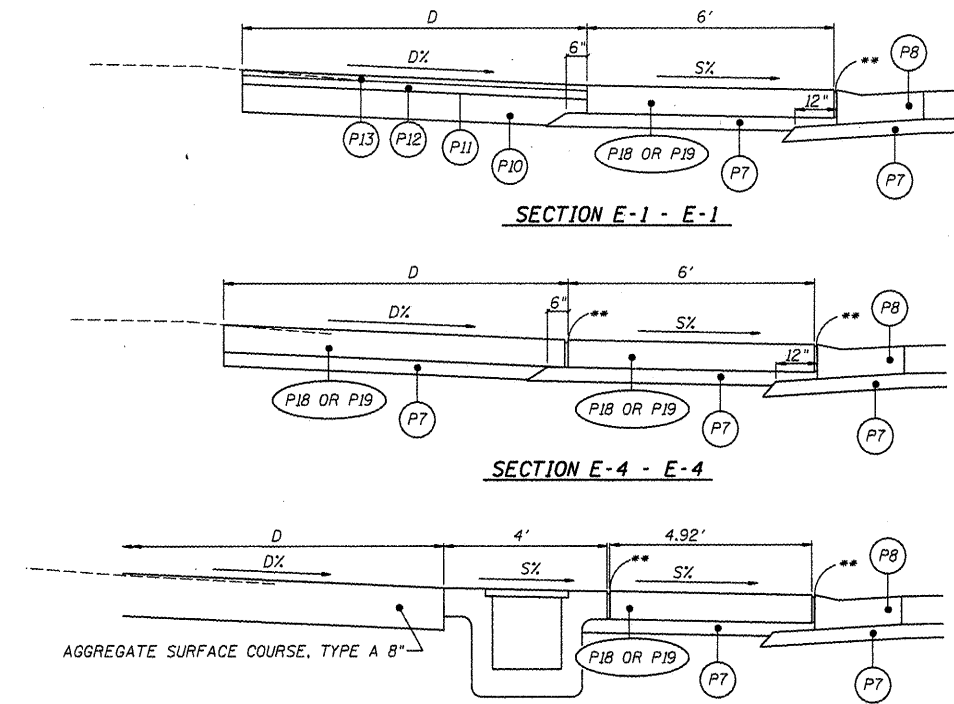
PLAN-2
SEE PLAN & PROFILES FOR LOCATION OF TROWELLED JOINTS IN P.C. DRIVEWAY PAVEMENTS



SECTION E-5 - E-5



PLAN-3
SEE PLAN & PROFILES FOR LOCATION OF TROWELLED JOINTS IN P.C. DRIVEWAY PAVEMENTS



SECTION E-1 - E-1

SECTION E-4 - E-4

SECTION E-6 - E-6

ENTRANCE SCHEDULE

LOCATION	SEE PLAN VIEW	TYPE	L	D	DX	SX	W1	W2	PAVEMENT REMOVAL	SUB-BASE GRANULAR MATERIAL, TYPE A 4"	SUB-BASE GRANULAR MATERIAL, TYPE A 8"	P.C. CONC. DRIVEWAY PAVEMENT, 6"	P.C. CONC. DRIVEWAY PAVEMENT, 8"	BITUMINOUS MATERIALS (PRIME COAT)	AGGREGATE (PRIME COAT)	H.M.A. SURFACE COURSE, MIX "D", N70 (2")	H.M.A. BINDER COURSE, IL-19.0, N70 (2.25")	AGGREGATE SURFACE COURSE, TYPE A 8"
			FT.	FT.			FT.	FT.										
MOORE STREET																		
LT. STA. 117+86.41	PLAN-1	ALLEY	21.08'	21.92'	4.95%	2.0%	14.0'	14.0'	-	13.5	38.2	-	12.0	18	0.2	3.9	4.1	-
LT. STA. 118+79.09	PLAN-1	P.E.	21.08'	13.41'	3.40%	2.0%	12.3'	6.7'	-	12.3	16.7	10.9	-	8	0.1	1.6	1.8	-
RT. STA. 119+23.32	PLAN-3	C.E.	21.08'	VARIABLE	VARIABLE	2.0%	35.0'	VAR.	-	22.5	-	21.8	-	-	-	-	-	269.5
LT. STA. 119+40.56	PLAN-1	P.E.	21.08'	12.92'	5.38%	2.0%	12.3'	11.0'	-	12.3	19.1	10.9	-	9	0.1	1.9	2.0	-
LT. STA. 121+60	PLAN-2	P.E.	21.08'	12.98'	0.95%	2.0%	14'	14'	28.8	32.0	-	30.9	-	-	-	-	-	-
LT. STA. 121+75.98	PLAN-2	P.E.	21.08'	12.98'	1.28%	1.28%	18'	18'	41.4	40.4	-	39.3	-	-	-	-	-	-
ILLINOIS AVENUE																		
PARKING AREA	(SEE INTER-SECTION DETAIL)	PARKING	VAR.	VAR.	VAR.	VAR.	VAR.	VAR.	-	-	47.3	-	-	22	0.2	5.3	5.3	-
TOTALS (NOT ADJUSTED FOR DEG. OF ACCURACY):									70.2	133.0	121.3	92.0	33.8	57	0.6	12.7	13.2	269.5
TOTALS (ADJ. FOR DEG. OF ACCURACY, PAY QTY.):									71	133	122	92	34	57	1	13	13	270

SECTION LEGEND

- (P7) SUBBASE GRANULAR MATERIAL, TYPE A, 4"
- (P8) COMBINATION CONCRETE CURB AND GUTTER, TYPE B-6.18
- (P10) SUBBASE GRANULAR MATERIAL, TYPE A, 8"
- (P11) BITUMINOUS MATERIALS (PRIME COAT) + AGGREGATE (PRIME COAT)
- (P12) HOT-MIX ASPHALT BINDER COURSE, IL-19.0, N70
- (P13) HOT-MIX ASPHALT SURFACE COURSE, MIX "D", N70
- (P18) PORTLAND CEMENT CONCRETE DRIVEWAY PAVEMENT, 6"
- (P19) PORTLAND CEMENT CONCRETE DRIVEWAY PAVEMENT, 8"
- ** EXPANSION JOINTS PER STANDARD SPECIFICATIONS

ILLINOIS DEPARTMENT OF TRANSPORTATION
**ALLEY & ENTRANCE DETAILS
AND ALLEY, ENTRANCE, & LOT
PAVING SCHEDULE**

SCALE _____ DRAWN BY _____
DATE _____ CHECKED BY _____

CADD FILE: 5887/5887-entr.dgn
PLOTTED: 9DATE

H.M. & G. NO. 5887