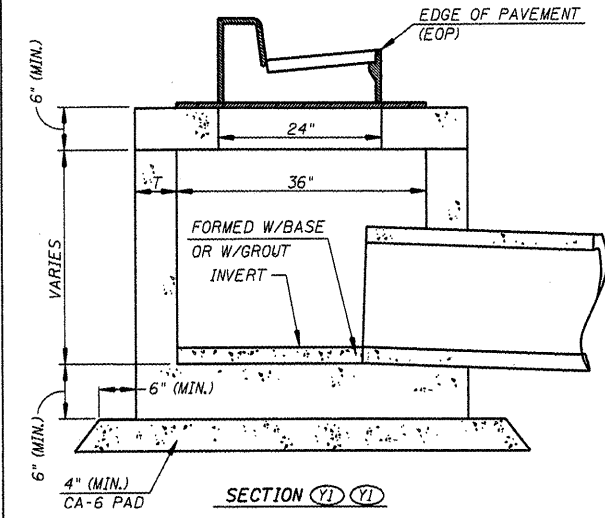
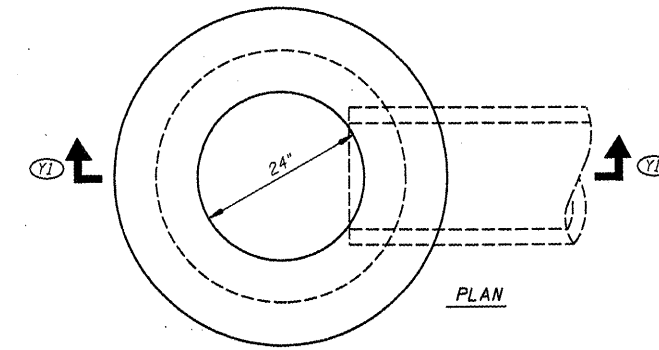
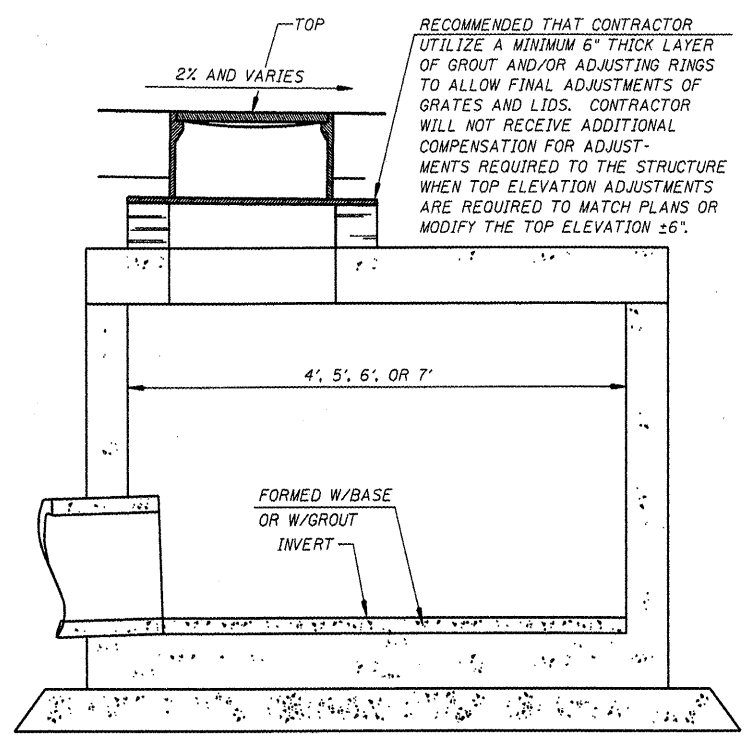


F.A.J. RTE.	SECTION	COUNTY	TOTAL SHEETS	SHEET NO.
9315	05-00032-02-PV	MONROE	55	27
STA.		TO STA.		
FED. ROAD DIST. NO.		ILLINOIS	FED. AID PROJECT	
CONTRACT NO. 97349				



INLET, TYPE B DETAILS

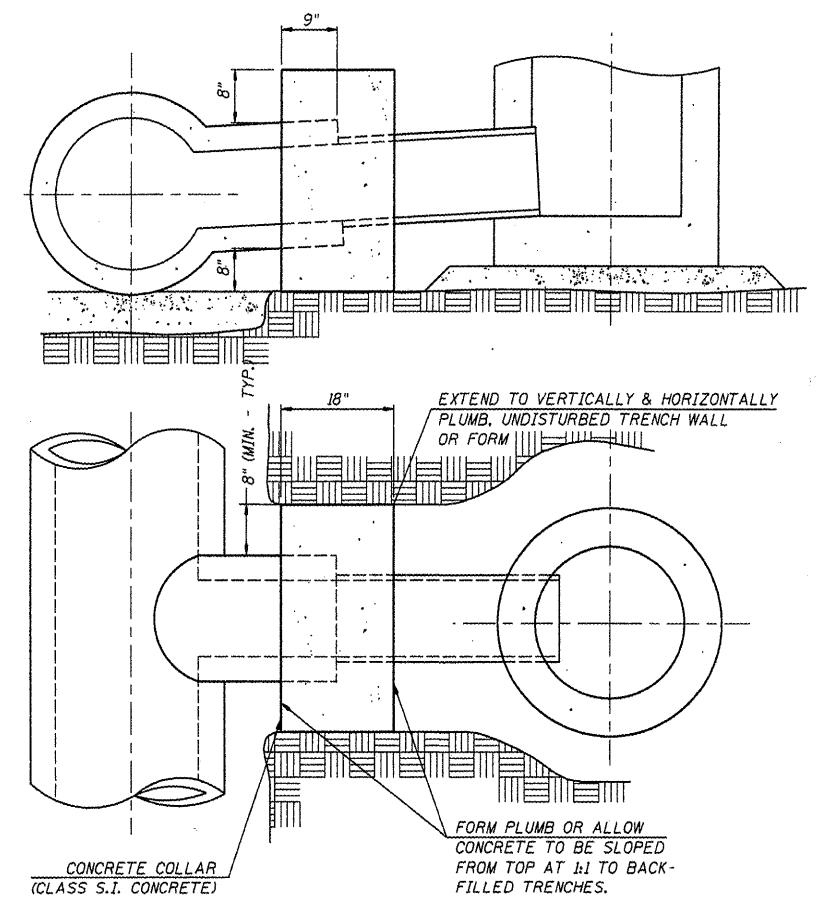
(CONTRACTOR MAY OPT TO USE THIS DETAIL TO MODIFY STANDARD 602306 OR STANDARD 602306 ITSELF, WHEN THE DEPTH IS ADEQUATE FOR A CORBEL)



RESTRICTED DEPTH MANHOLE DETAILS

(SEE ALSO APPLICABLE SECTIONS OF SECTION 602 OF THE STANDARD SPECIFICATIONS)

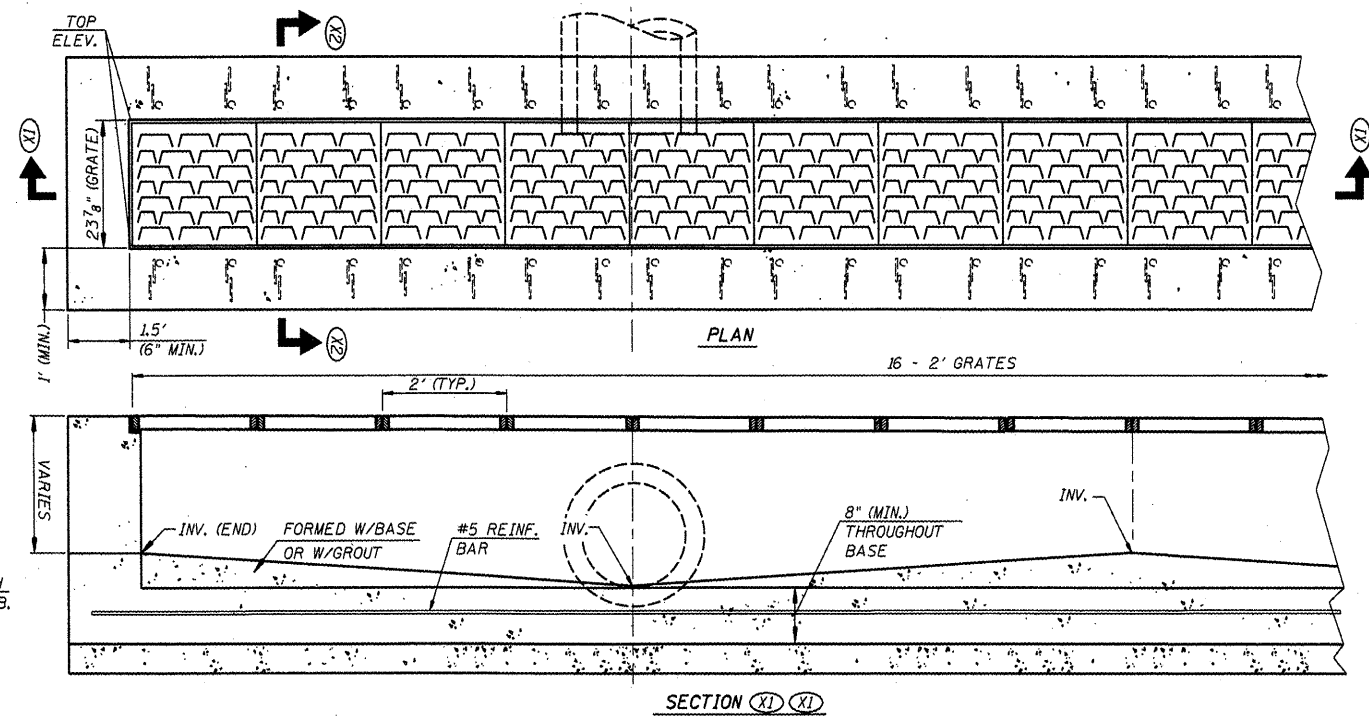
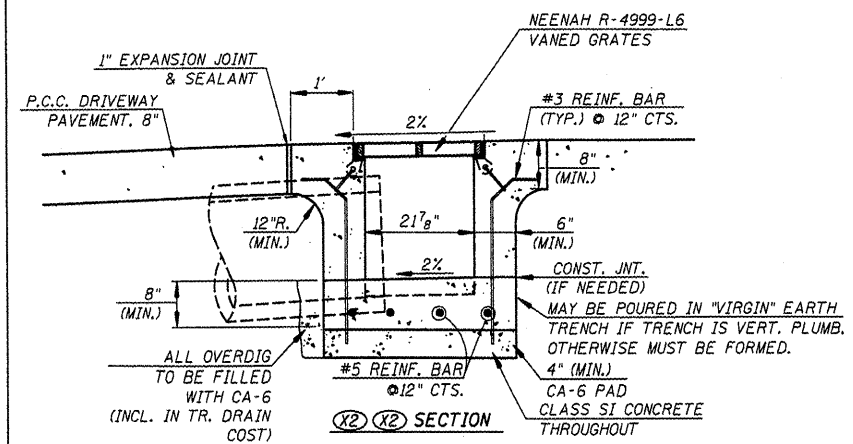
RECOMMENDED THAT CONTRACTOR UTILIZE A MINIMUM 6" THICK LAYER OF GROUT AND/OR ADJUSTING RINGS TO ALLOW FINAL ADJUSTMENTS OF GRATES AND LIDS. CONTRACTOR WILL NOT RECEIVE ADDITIONAL COMPENSATION FOR ADJUSTMENTS REQUIRED TO THE STRUCTURE WHEN TOP ELEVATION ADJUSTMENTS ARE REQUIRED TO MATCH PLANS OR MODIFY THE TOP ELEVATION ±6".



ALL TEES AND CONNECTED TYPE A INLETS RIGHT OF CENTERLINE CAN BE SHIFTED TO WITHIN 2' OF PLAN WITH ADJUSTMENTS TO EOP ELEV. EXCEPT FOR TR-5.

TRENCH DRAIN DETAILS

(SEE ALSO MANUFACTURER'S RECOMMENDATIONS)



ILLINOIS DEPARTMENT OF TRANSPORTATION
STORM SEWER DETAILS

SCALE DATE
DRAWN BY CHECKED BY

CADD FILE: 5961/5961-5961.dgn
PLOTTED: 8/24/05