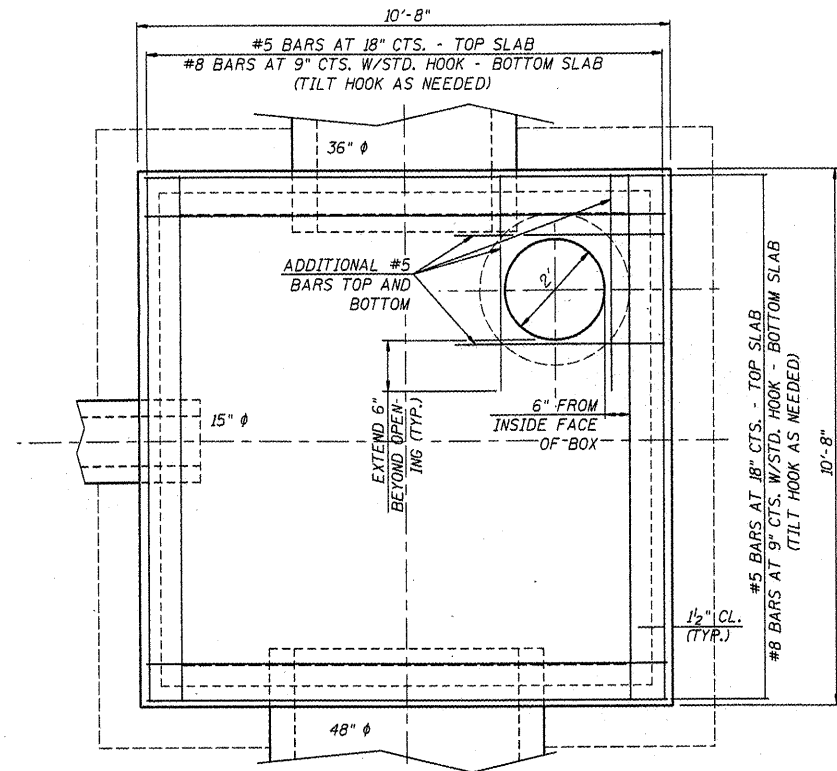
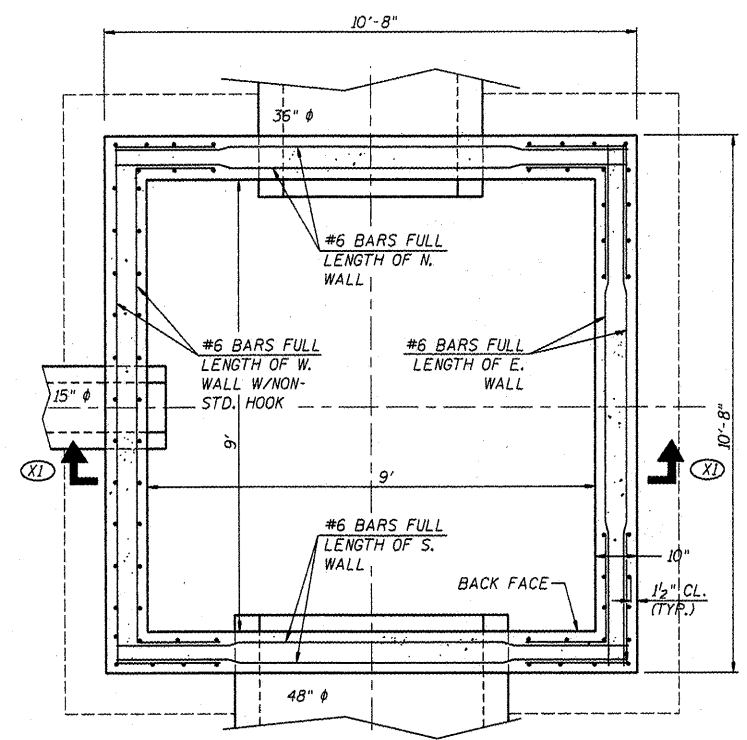


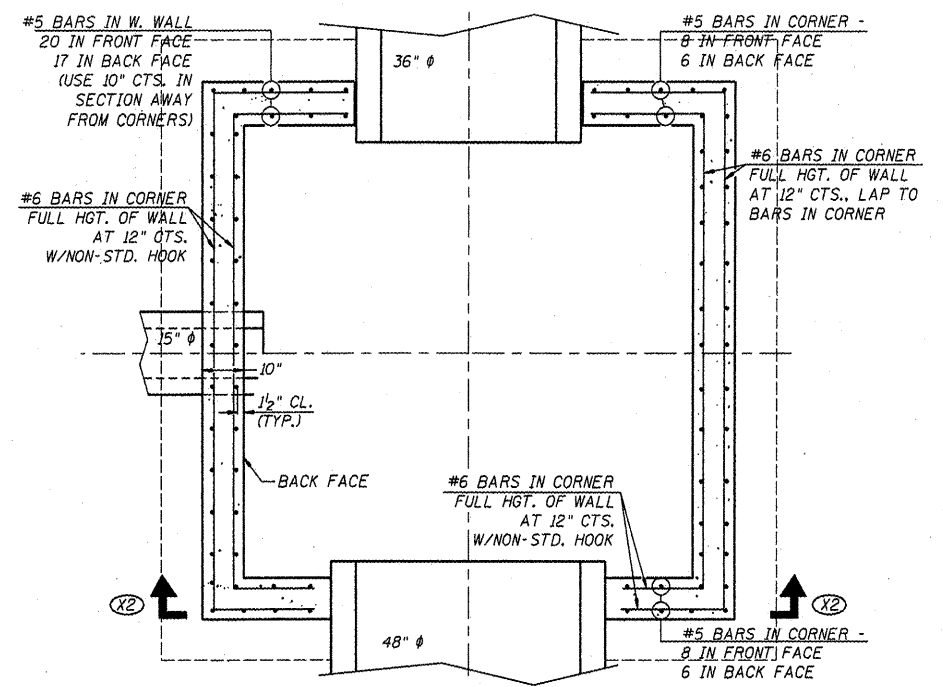
F.A.U. RTE.	SECTION	COUNTY	TOTAL SHEETS	SHEET NO.
9315	05-00032-02-PV	MONROE	55	29
STA.	TO STA.			
FED. ROAD DIST. NO.	ILLINOIS	FED. AID PROJECT		
CONTRACT NO. 97349				



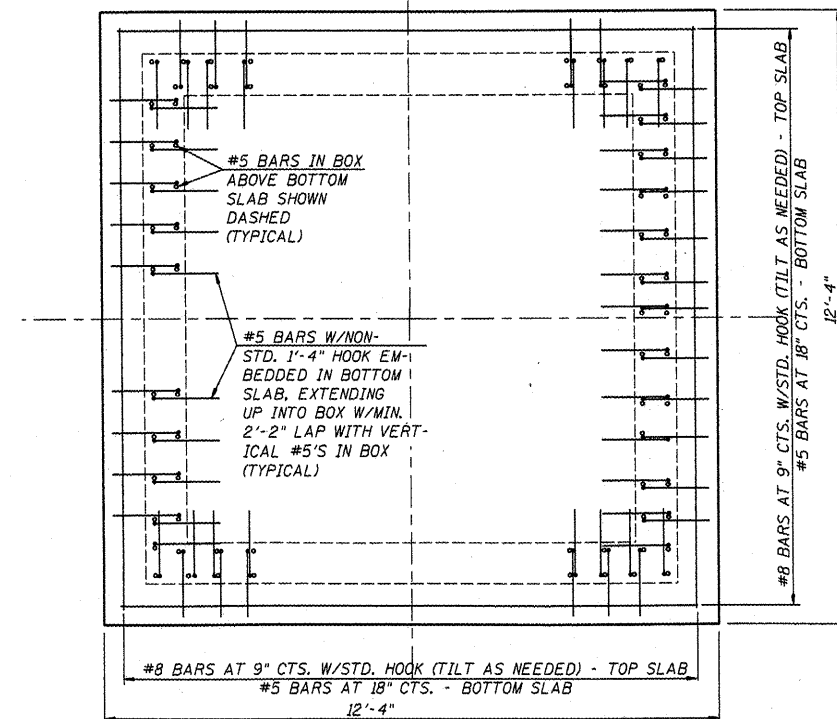
PLAN - TOP SLAB



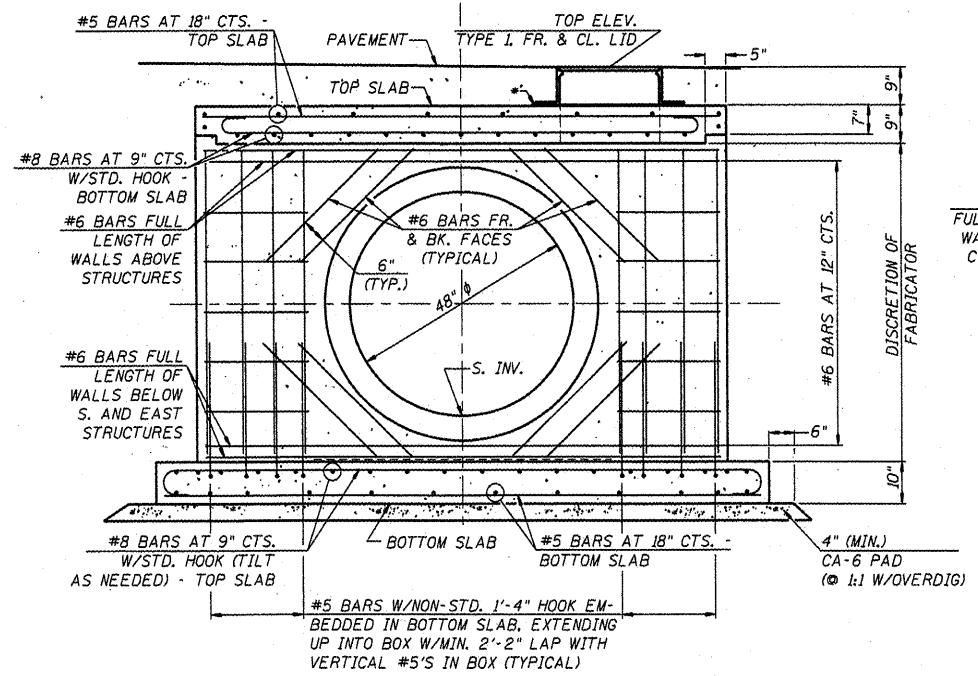
PLAN - TOP PORTION OF BOX



PLAN - MID-PORTION OF BOX

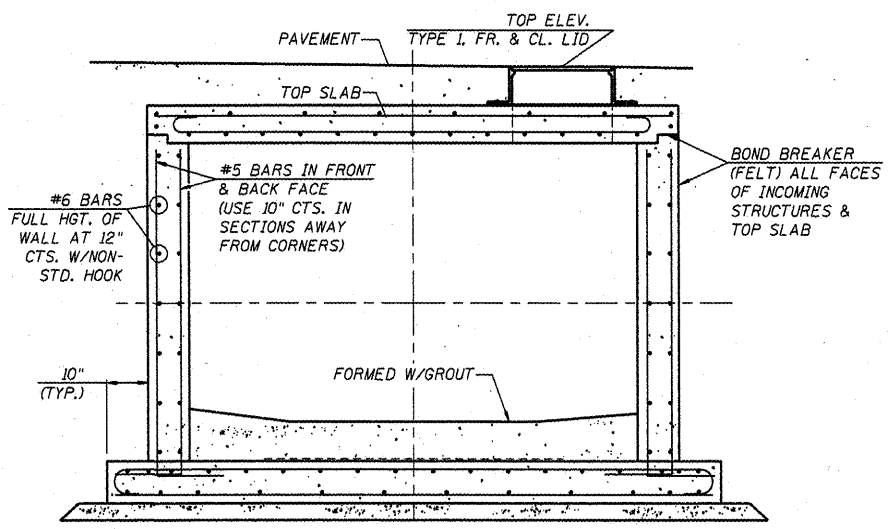


PLAN - BOTTOM SLAB



SECTION (X1) (X1)

\*PLAN ELEVATIONS BASED ON UTILIZATION OF CONC. BRICK, OR GROUT. CONTRACTOR WILL NOT RECEIVE ADDITIONAL COMPENSATION FOR NECESSARY FINAL ADJUSTMENTS AUTHORIZED IN THE FIELD.



SECTION (X2) (X2)

DETAILS OF JUNCTION BOX (JBR-2)

ILLINOIS DEPARTMENT OF TRANSPORTATION  
**STORM SEWER DETAILS**  
 SCALE \_\_\_\_\_ DRAWN BY \_\_\_\_\_  
 DATE \_\_\_\_\_ CHECKED BY \_\_\_\_\_

CADD FILE: 5801/5801-ssdw13.dwg  
 PLOTTED: 8/24/05