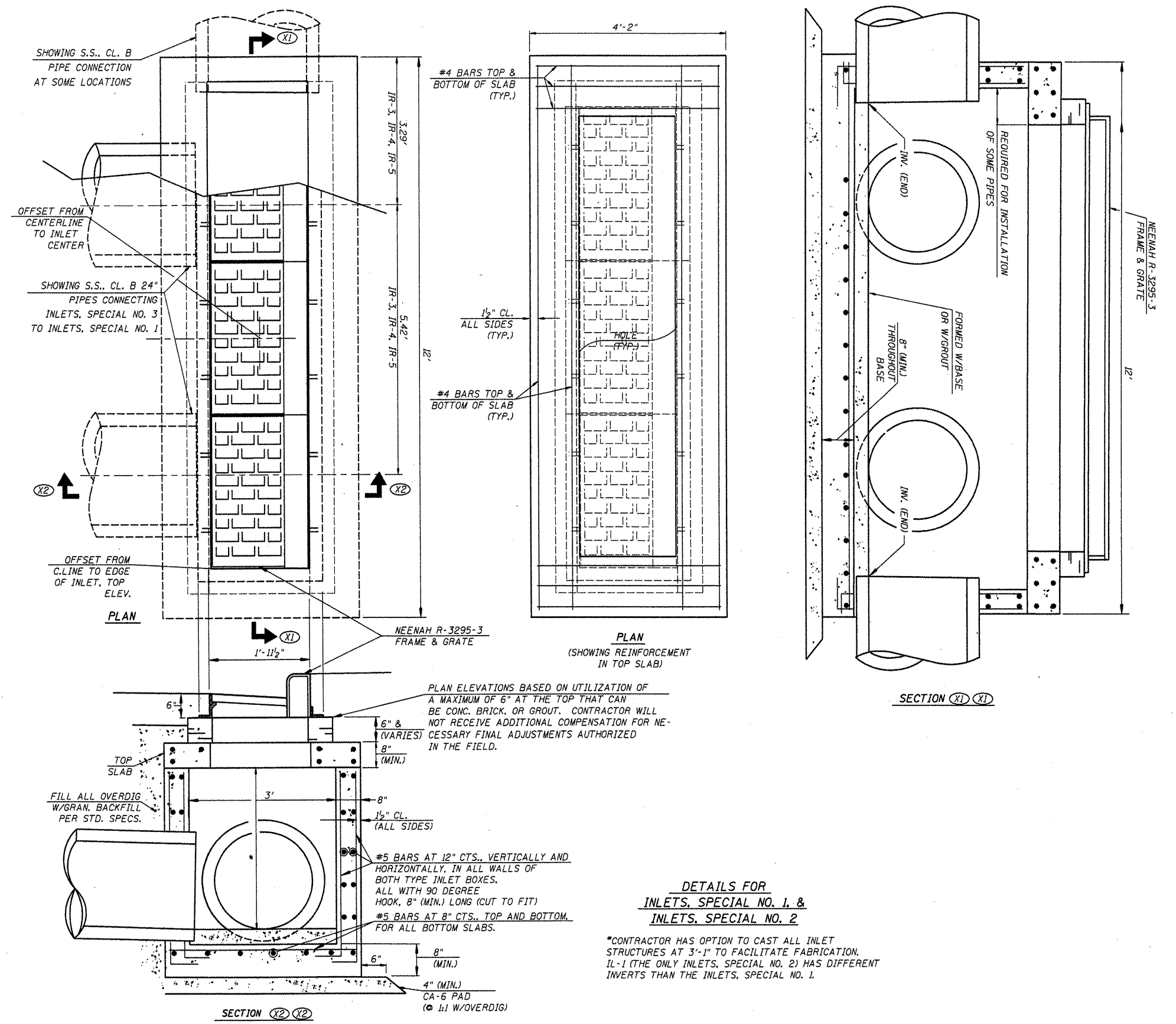


F.A.U. RTE.	SECTION	COUNTY	TOTAL SHEETS	SHEET NO.
9315	05-00032-02-PV	MONROE	55	30
STA.		TO STA.		
FED. ROAD DIST. NO.		ILLINOIS	FED. AID PROJECT	
CONTRACT NO. 97349				



ILLINOIS DEPARTMENT OF TRANSPORTATION

STORM SEWER DETAILS

SCALE _____ DRAWN BY _____

DATE _____ CHECKED BY _____

CADD FILE: 5881/5881-1.scd04.dgn
 PLOTTED: 8/27/05

H.M. & G. NO. 5881