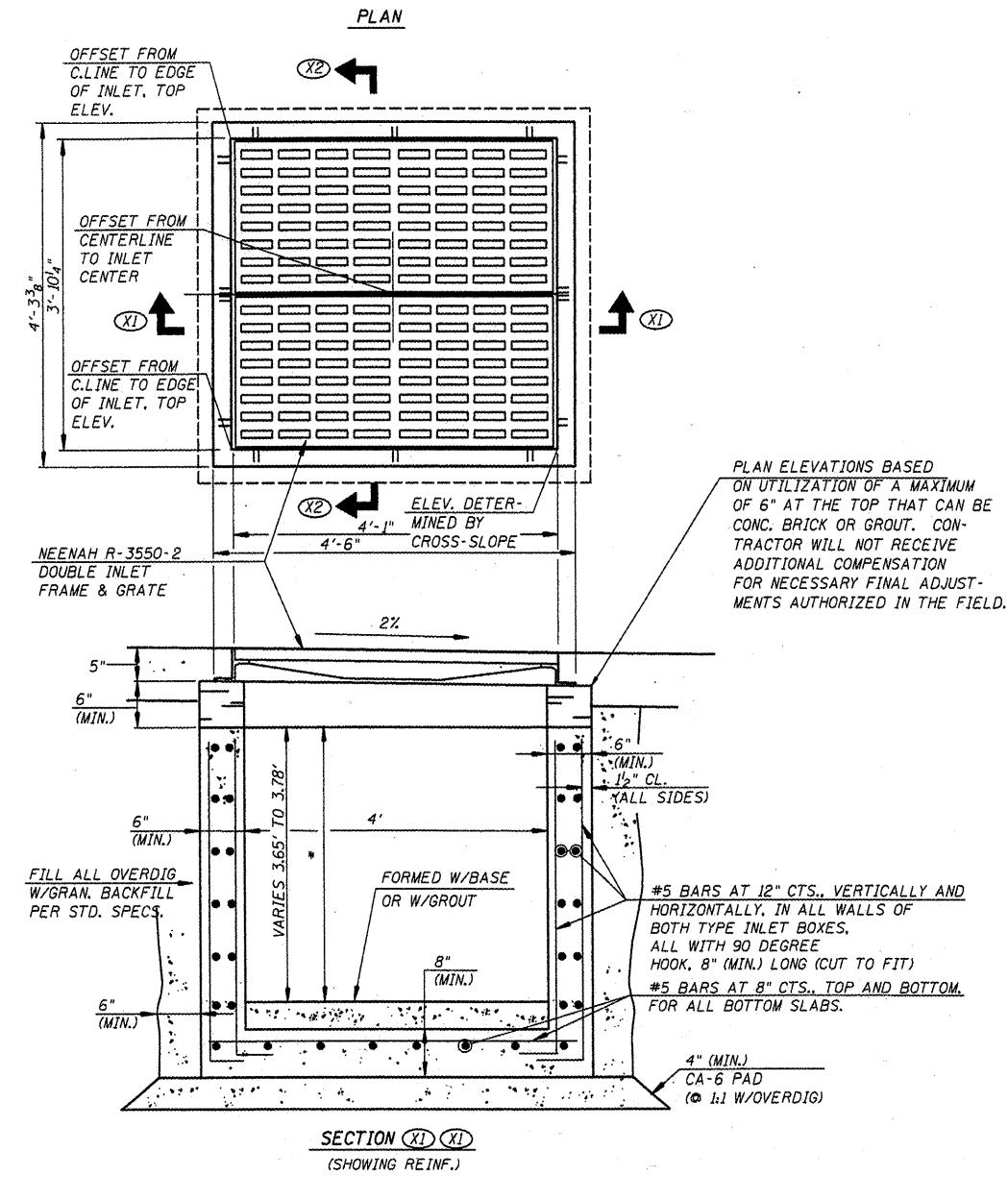
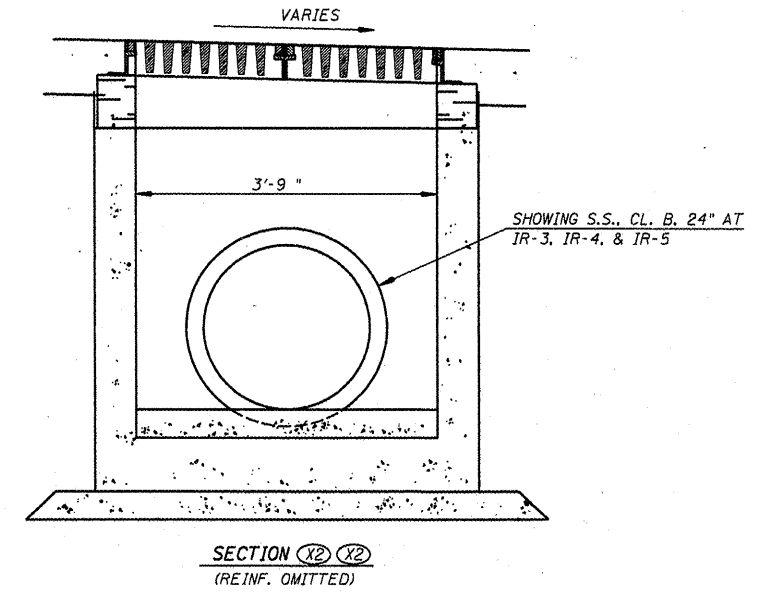


F.A.U. RTE.	SECTION	COUNTY	TOTAL SHEETS	SHEET NO.
9315	05-00032-02-PV	MONROE	55	31
STA.	TO STA.			
FED. ROAD DIST. NO.	ILLINOIS	FED. AID PROJECT		
CONTRACT NO. 97349				



PLAN ELEVATIONS BASED ON UTILIZATION OF A MAXIMUM OF 6" AT THE TOP THAT CAN BE CONC. BRICK OR GROUT. CONTRACTOR WILL NOT RECEIVE ADDITIONAL COMPENSATION FOR NECESSARY FINAL ADJUSTMENTS AUTHORIZED IN THE FIELD.



DETAILS FOR INLETS, SPECIAL NO. 3
 *CONTRACTOR HAS OPTION TO CAST ALL INLET STRUCTURES AT 3.78' TO FACILITATE FABRICATION.

ILLINOIS DEPARTMENT OF TRANSPORTATION
STORM SEWER DETAILS
 SCALE _____ DRAWN BY _____
 DATE _____ CHECKED BY _____

CADD FILE: 5801/5801-ssd/15.dgn
 PLOTTED: 8/27/15

H.M. & G. NO. 5801