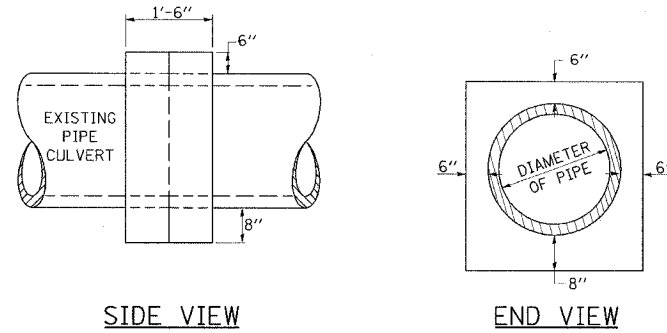




DETAILS OF CONCRETE COLLAR PIPE TO PIPE



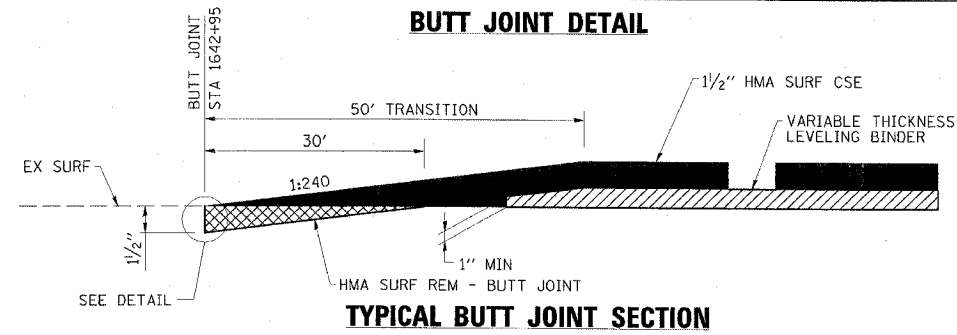
TABULATION

DIAMETER OF PIPE	CL SI CONC CU YDS EST
12"	0.24
15"	0.29
18"	0.32
24"	0.44
30"	0.56
36"	0.66
42"	0.80
48"	0.93
54"	1.07
60"	1.22
72"	1.55

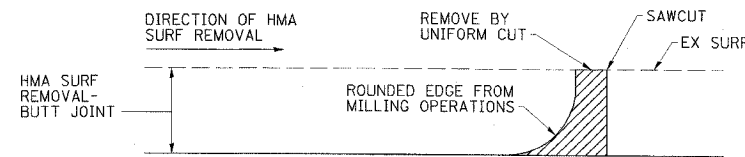
THE CONCRETE COLLAR SHALL BE PAID FOR AT THE CONTRACT UNIT PRICE PER CUBIC YARD FOR CONCRETE COLLAR, AS SHOWN ON THE PLANS, WHICH PRICE SHALL INCLUDE THE REMOVAL OF SUCH PORTIONS THE EXISTING HEADWALLS AS MAY BE REQUIRED. CLASS SI CONCRETE SHALL BE USED THROUGHOUT.

REVISIONS
DRAWN 7-13-90
REVISED 8-22-94
REVISED
STD. 9-79

CONTRACT NO. 98999				
FAP RTE	SECTION	COUNTY	TOTAL SHEETS	SHEET NO.
869	(105A)B-1	SALINE	71	28
STA.	TO STA.			
FED. ROAD DIST. NO.	ILLINOIS	FED. AID PROJECT		



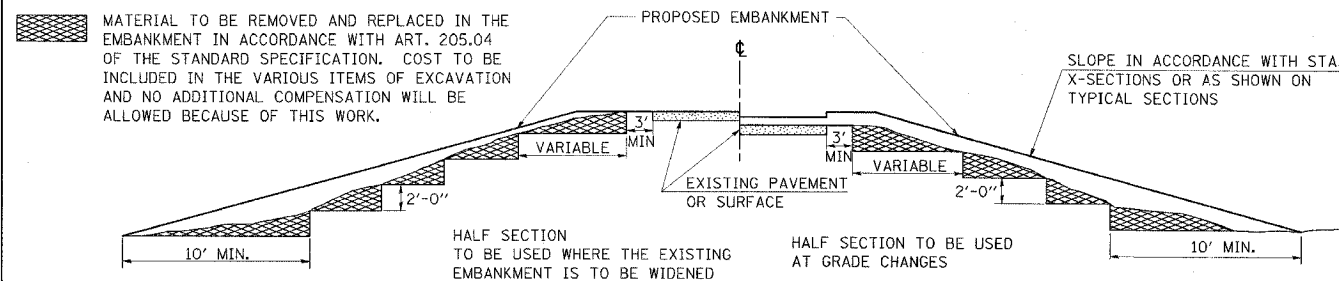
TYPICAL BUTT JOINT SECTION



DETAIL AT BUTT JOINT

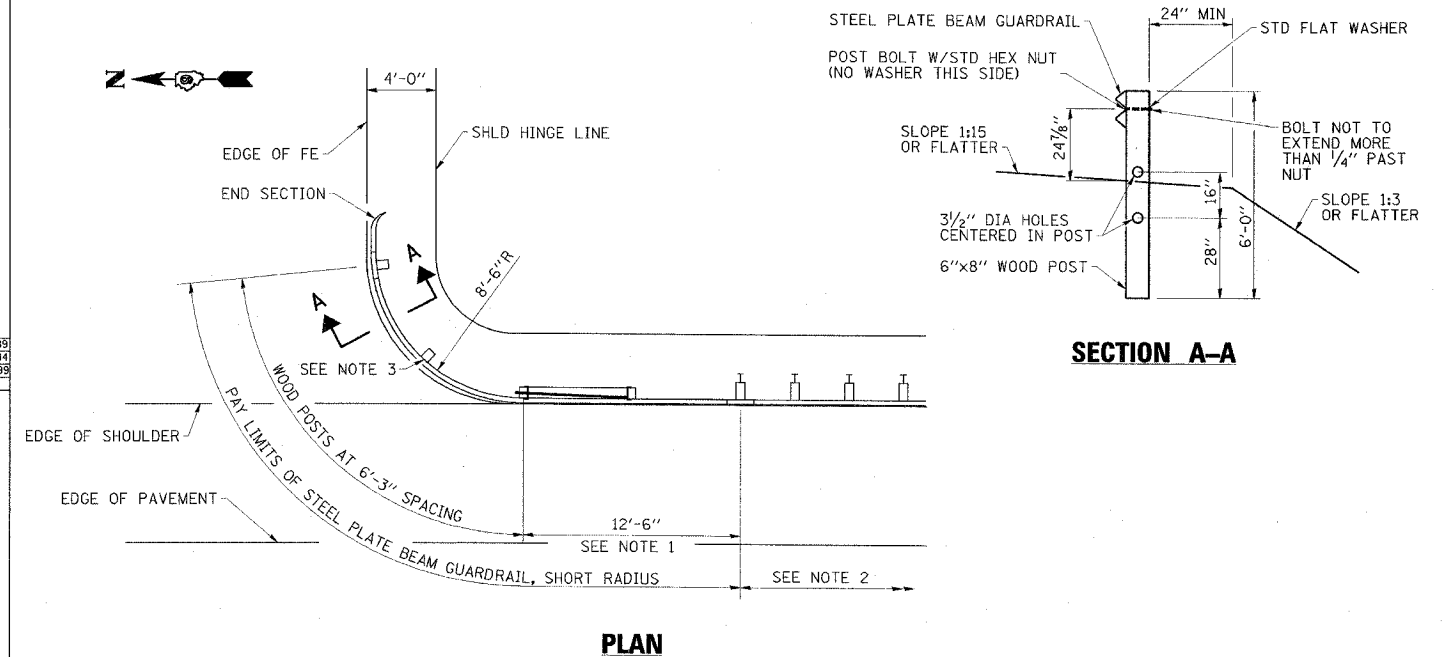
NOTE: WHEN MILLING OPERATIONS PRODUCE A ROUNDED EDGE, THEN A SAWCUT SHALL BE USED TO MANUFACTURE A PERPENDICULAR EDGE AS SHOWN IN THE DETAIL. THE COST OF ALL WORK SHOWN IN THE DETAIL IS INCLUDED IN HOT-MIX ASPHALT SURFACE REMOVAL - BUTT JOINT. THE ENGINEER SHALL BE THE SOLE JUDGE CONCERNING THE USE OF THIS DETAIL.

TYPICAL CROSS SECTION SHOWING STEP CONSTRUCTION ON EXISTING FILL



REVISIONS
REDRAWN 2-15-99
REVISED 8-15-94
CHECKED 6-3-99
REVISED
STD. 9-16

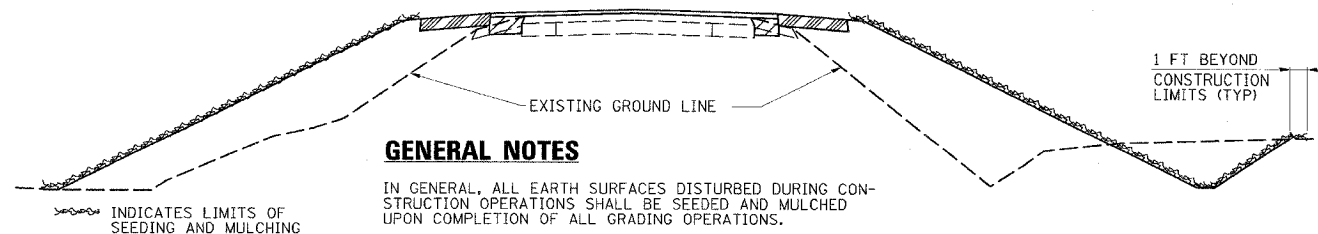
SHORT RADIUS GUARDRAIL DETAILS



NOTES

- CONSTRUCT ACCORDING TO STANDARD 631011 FOR TRAFFIC BARRIER TERMINAL TYPE 2 EXCEPT DELETE END SECTION AND SPLICE INTO RADIUS GUARDRAIL.
- STEEL PLATE BEAM GUARDRAIL TYPE A, TYPE B, OR TRAFFIC BARRIER TERMINAL AS SPECIFIED.
- THE RAIL IS NOT BOLTED TO THE POST LOCATED AT THE MIDPOINT OF THE CURVE.

SEEDING & MULCHING



GENERAL NOTES

IN GENERAL, ALL EARTH SURFACES DISTURBED DURING CONSTRUCTION OPERATIONS SHALL BE SEEDED AND MULCHED UPON COMPLETION OF ALL GRADING OPERATIONS.

FERTILIZER NUTRIENTS AND LIMESTONE SHALL BE APPLIED TO ALL SEEDED AREAS.

THE RATES OF APPLICATION OF FERTILIZER, MULCH AND LIMESTONE SHALL BE AS SPECIFIED IN THE STD SPECIFICATIONS.

SECTIONS 250 AND 251 OF THE STANDARD SPECIFICATIONS SHALL GOVERN THIS WORK EXCEPT AS SPECIFIED HEREIN OR AS NOTED IN THE SPECIAL PROVISIONS.

ESCA
CONSULTANTS, INC.

DESIGNED BY:	MTD	06/07
DRAWN BY:	DWH/JPC	06/07
CHECKED BY:	MTD	10/07
APPROVED BY:	RDP	03/08

PLOT DATE = 04/07
PLOT SCALE = AS SHOWN
REFERENCE = SHEET

MISCELLANEOUS DETAILS
FAP RTE 869 (IL 34)
SECTION (105A)B-1
SALINE COUNTY