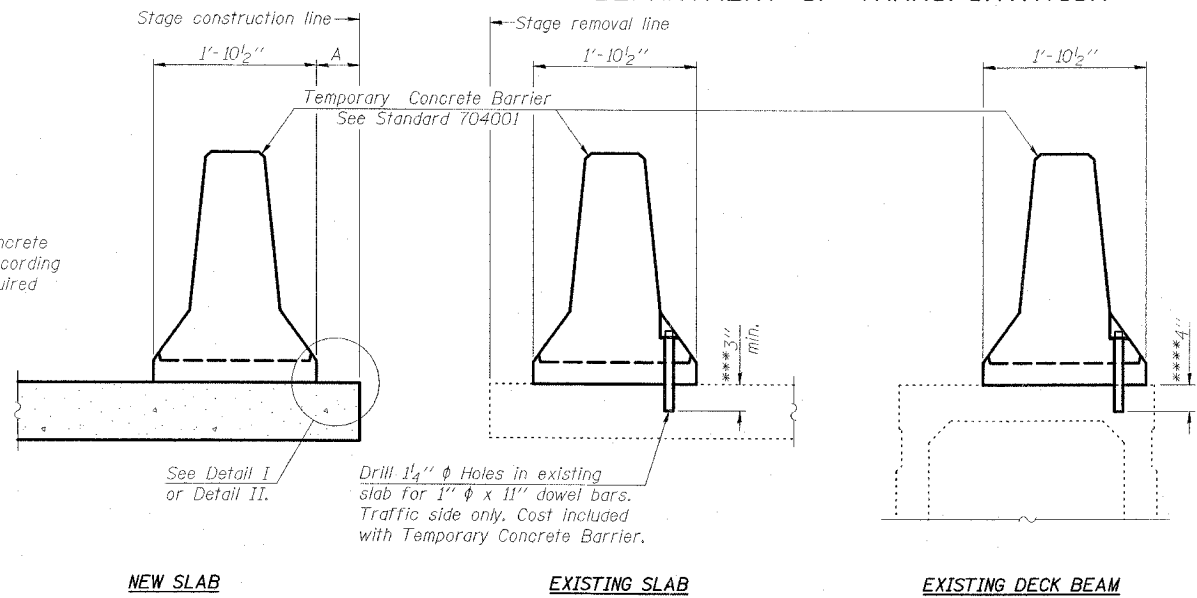


STATE OF ILLINOIS  
DEPARTMENT OF TRANSPORTATION

ROUTE NO.	SECTION	COUNTY	SHEETS	SHEET NO.
FAP 869	*	SALINE	71	33
ILLINOIS FED. AID PROJECT				17 SHEETS
CONTRACT NO. 98999				(105A)B-1

When "A" is 3'-6" or less, the temporary concrete barrier shall be anchored to the new slab according to Detail I or Detail II. No anchorage is required when "A" is greater than 3'-6".

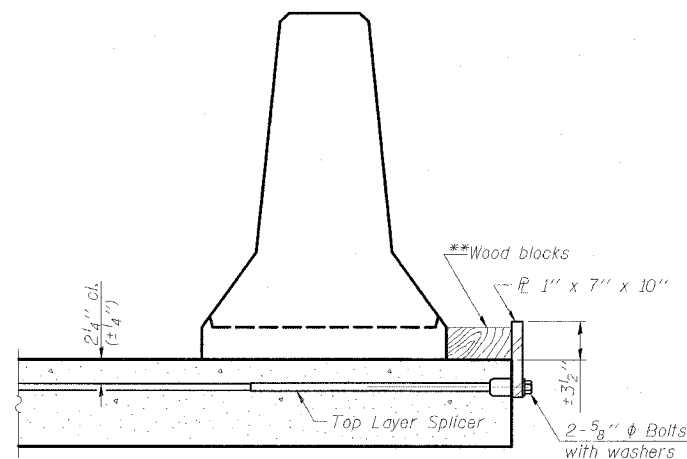


SECTIONS THRU SLAB OR DECK BEAM

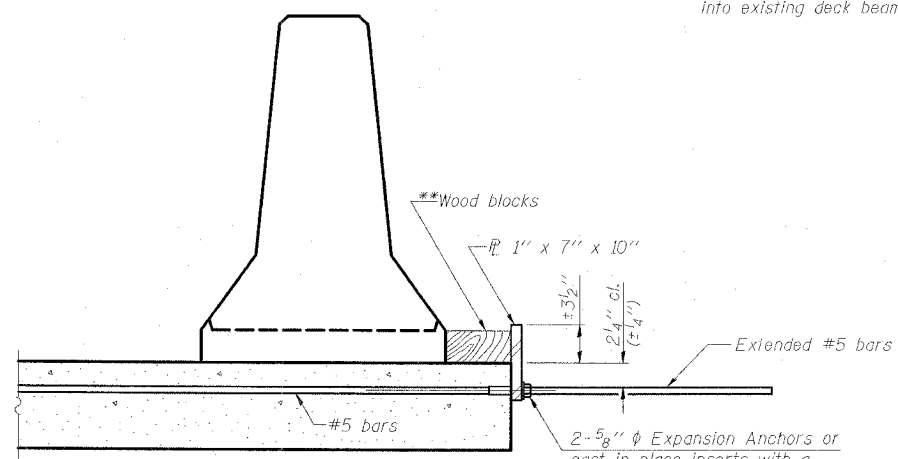
NOTES

- Detail I - With Bar Splicer or Couplers:  
Connect one (1) 1"x7"x10" steel  $\bar{R}$  to the top layer of couplers with 2-5/8"  $\phi$  bolts screwed to coupler at approximate  $\bar{C}$  of each barrier panel.
- Detail II - With Extended Reinforcement Bars:  
Connect one (1) 1"x7"x10" steel  $\bar{R}$  to the concrete slab or concrete wearing surface with 2-5/8"  $\phi$  Expansion Anchors or cast in place inserts spaced between the top layer of reinforcement at approximate  $\bar{C}$  of each barrier panel.
- Cost of anchorage is included with Temporary Concrete Barrier. The 1" x 7" x 10" plate shall not be removed until stage II construction forms and all reinforcement bars are in place and the concrete is ready to be placed.

\*\*\*Dimension shown is minimum required embedment into concrete. If hot-mix asphalt wearing surface is present, minimum embedment shall be in addition to wearing surface depth.  
\*\*\*\*If existing deck beam is to remain in place after stage construction, embedment shall only be into wearing surface and not into existing deck beam concrete.

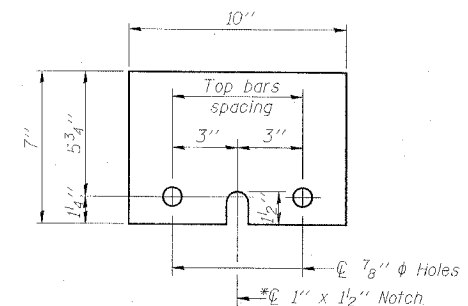


DETAIL I



DETAIL II

\*\*Wood blocks may be omitted when required to provide minimum stage traffic lane width. When the wood blocks are omitted, the concrete barrier shall be in direct contact with the steel retainer plate.



STEEL RETAINER R 1" x 7" x 10"

\* Required only with Detail II

TEMPORARY CONCRETE BARRIER  
IL 34 OVER  
WEST HARRISBURG DRAINAGE DITCH  
FAP ROUTE 869 - SECTION (105A)B-1  
SALINE COUNTY  
STATION 1649+21.50  
STRUCTURE NO. 083-0066

**ESCA**  
CONSULTANTS, INC.

DESIGNED BY:	FMA	2/08
DRAWN BY:	DWH	2/08
CHECKED BY:	RDP	2/08
APPROVED BY:	RDP	3/08