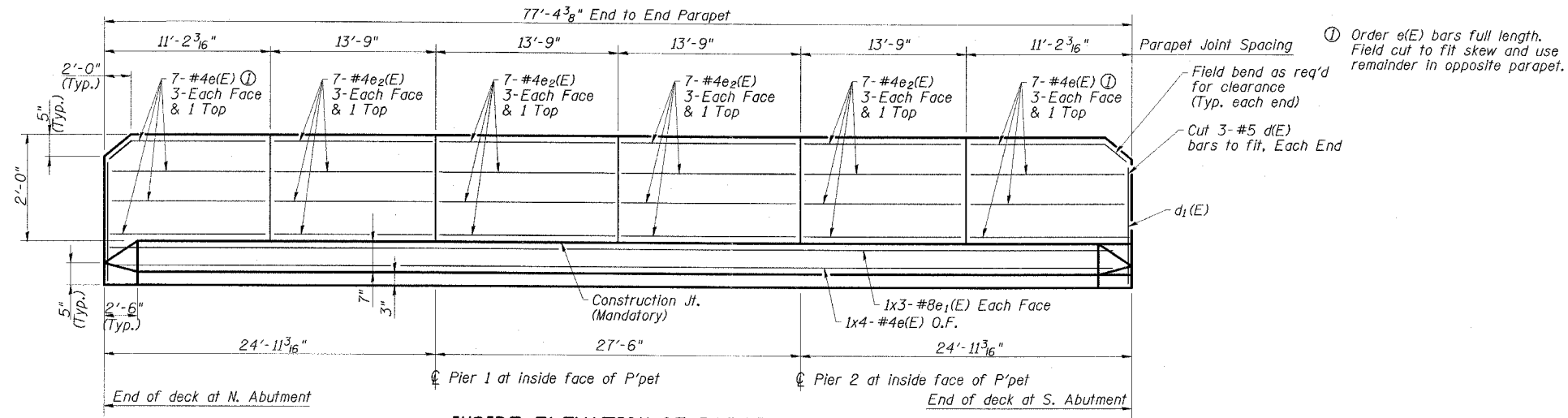


STATE OF ILLINOIS
DEPARTMENT OF TRANSPORTATION

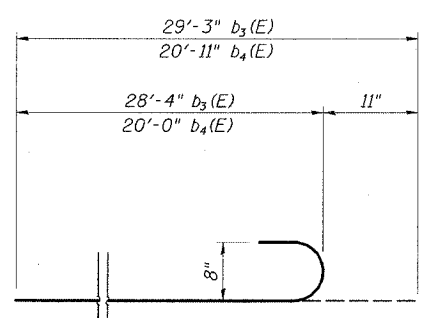
ROUTE NO.	SECTION	COUNTY	SHEET	SHEET NO.
FAP 869	*	SALINE	71	38
FED. ROAD DIST. NO.				ILLINOIS FED. AID PROJECT
CONTRACT NO. 98999				(105A)B-1



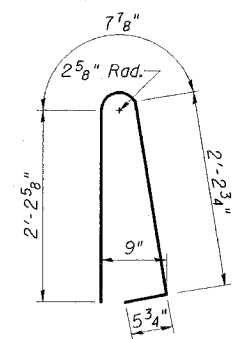
INSIDE ELEVATION OF PARAPET
(Looking East at East Parapet; West Parapet similar)

**SUPERSTRUCTURE
BILL OF MATERIAL**

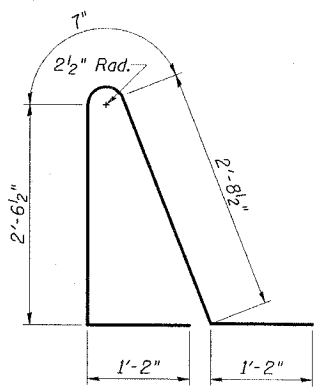
Bar	No.	Size	Length	Shape	
a(E)	10	#5	41'-9"	—	
a ₁ (E)	10	#5	20'-2"	—	
a ₂ (E)	130	#5	36'-9"	—	
a ₃ (E)	130	#5	17'-9"	—	
b(E)	112	#8	29'-4"	—	
b ₁ (E)	112	#8	10'-6"	—	
b ₂ (E)	112	#8	14'-2"	—	
b ₃ (E)	84	#8	29'-3"	—	
b ₄ (E)	82	#8	20'-11"	—	
b ₅ (E)	42	#8	27'-6"	—	
b ₆ (E)	41	#8	19'-0"	—	
d(E)	168	#5	5'-10"	—	
d ₁ (E)	168	#5	8'-2"	—	
e(E)	22	#4	21'-0"	—	
e ₁ (E)	12	#8	28'-0"	—	
e ₂ (E)	56	#4	13'-6"	—	
x(E)	112	#5	7'-0"	—	
x ₁ (E)	112	#5	5'-2"	—	
Reinforcement Bars, Epoxy Coated				Pound	46,070
Concrete Superstructure				Cu. Yd.	220
Bar Splicers				Each	140



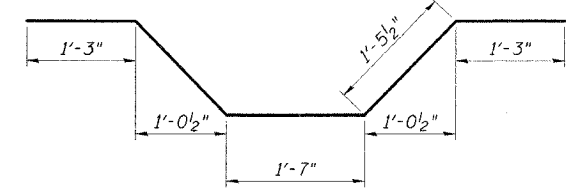
BARS b₃(E) & b₄(E)



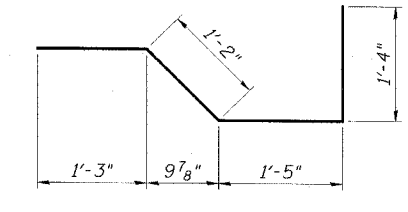
BAR d(E)



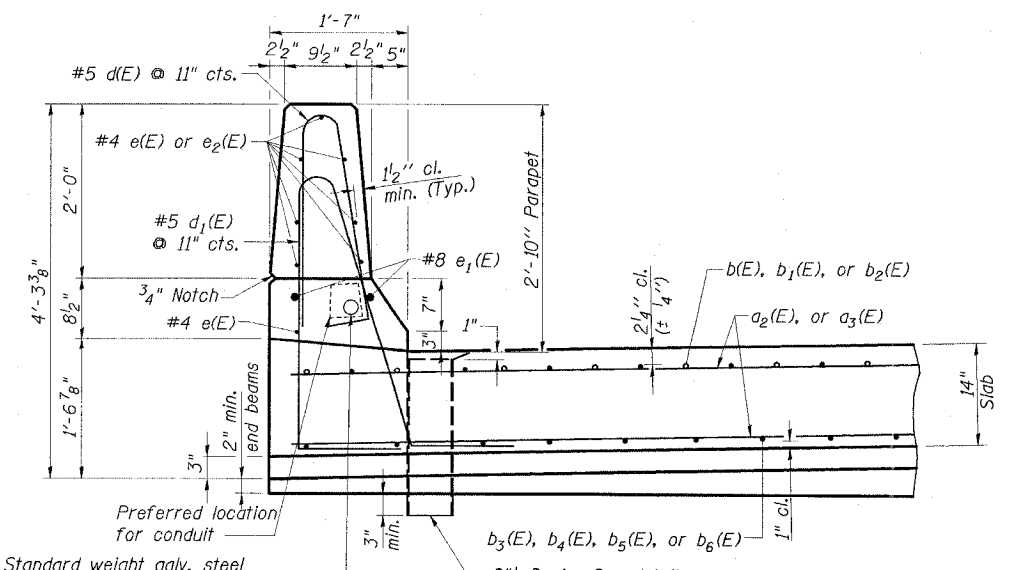
BAR d₁(E)



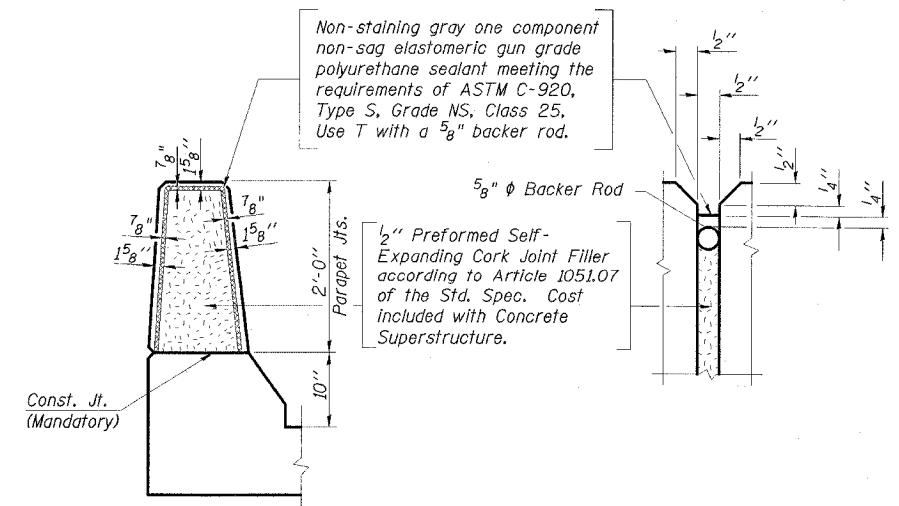
BAR x(E)



BAR x₁(E)



SECTION THRU PARAPET



PARAPET JOINT DETAILS

SUPERSTRUCTURE DETAILS
IL 34 OVER
WEST HARRISBURG DRAINAGE DITCH
FAP ROUTE 869 - SECTION (105A)B-1
SALINE COUNTY
STATION 1649+21.50
STRUCTURE NO. 083-0066

ESCA
CONSULTANTS, INC.

DESIGNED BY: FMA 2/08
DRAWN BY: DWH/cj 2/08
CHECKED BY: RDP 2/08
APPROVED BY: RDP 3/08

2" Standard weight galv. steel conduit (West Parapet only)
Provide minimum clearance of 1" between conduit and all reinforcement