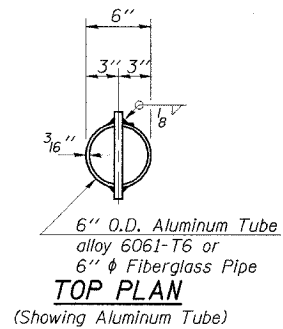
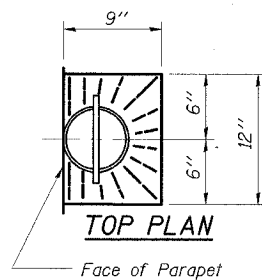
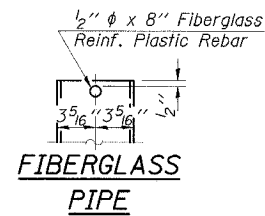
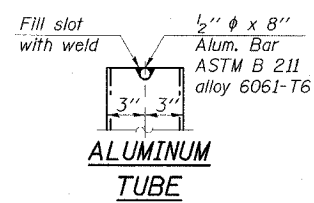


STATE OF ILLINOIS  
DEPARTMENT OF TRANSPORTATION

ROUTE NO.	SECTION	COUNTY	SHEETS	SHEET	SHEET NO. 10
FAP 869	*	SALINE	71	39	17 SHEETS
FED. ROAD DIST. NO.	ILLINOIS	FED. AID PROJECT	CONTRACT NO. 98999		
					(105A)B-1

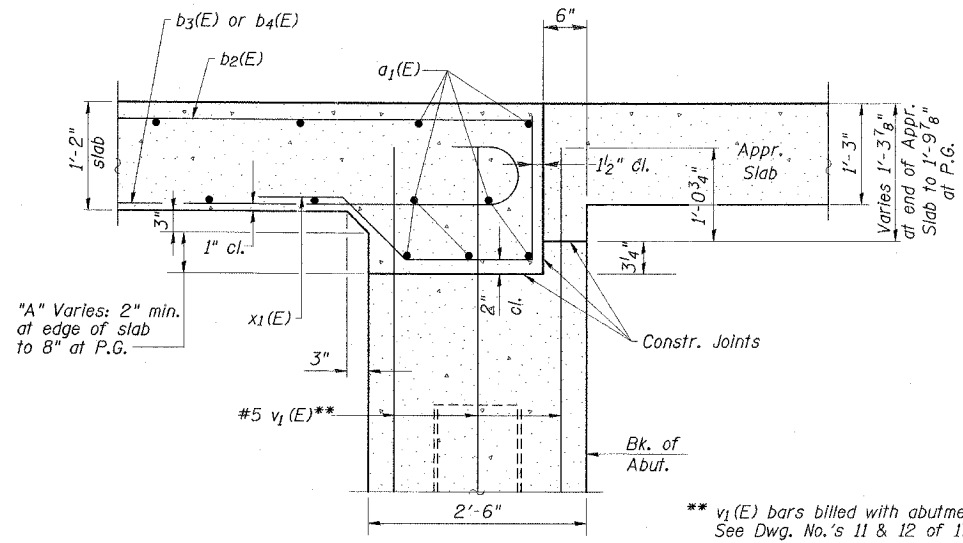


**FLOOR DRAIN DETAILS**

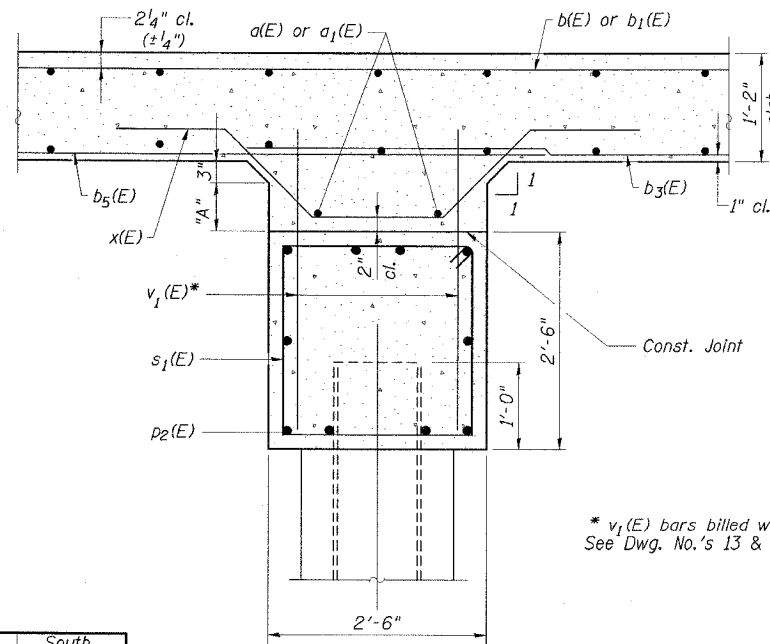
**Notes:**

Fiberglass pipe shall conform to ASTM D2996, with short-time rupture strength hoop tensile stress of 30,000 p.s.i. minimum. The surface of the Fiberglass pipe shall be free of bond inhibiting agents.

The exterior surfaces of the Fiberglass Floor Drains shall be cleaned and given a washcoat pretreatment in accordance with Steel Structures Painting Council's Spec. SSPC-SPI & SSPC-Paint 27 prior to painting with a vinyl enamel coat. The color shall be light grey Munsell No. 10Y 7/1. Painting of the Fiberglass Floor Drains will not be required when the exterior surfaces of the furnished drains are coated by the manufacturer with a pigment that matches the color of the concrete slab.



**SECTION A-A**



**SECTION B-B**

**DIMENSION "A"**

	North Abutment	Pier 1	Pier 2	South Abutment
West edge of superstructure	2"	2"	2"	2"
West edge of roadway	4 3/8"	4 3/8"	4 3/8"	4 3/8"
© Roadway & P.G.	8"	8"	8"	8"
East edge of roadway	4 7/8"	4 7/8"	4 7/8"	4 7/8"
East edge of superstructure	2 5/8"	2 5/8"	2 5/8"	2 5/8"

**ESCA**  
CONSULTANTS, INC.

DESIGNED BY: FMA 2/08  
DRAWN BY: DWH 2/08  
CHECKED BY: RDP 2/08  
APPROVED BY: RDP 3/08

**SUPERSTRUCTURE DETAILS**  
**IL 34 OVER**  
**WEST HARRISBURG DRAINAGE DITCH**  
**FAP ROUTE 869 - SECTION (105A)B-1**  
**SALINE COUNTY**  
**STATION 1649+21.50**  
**STRUCTURE NO. 083-0066**