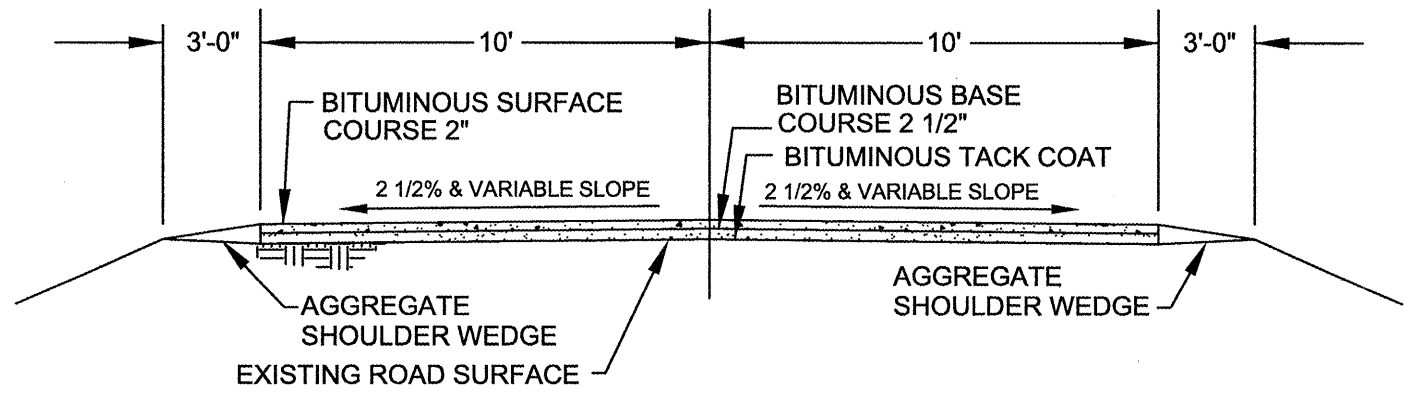
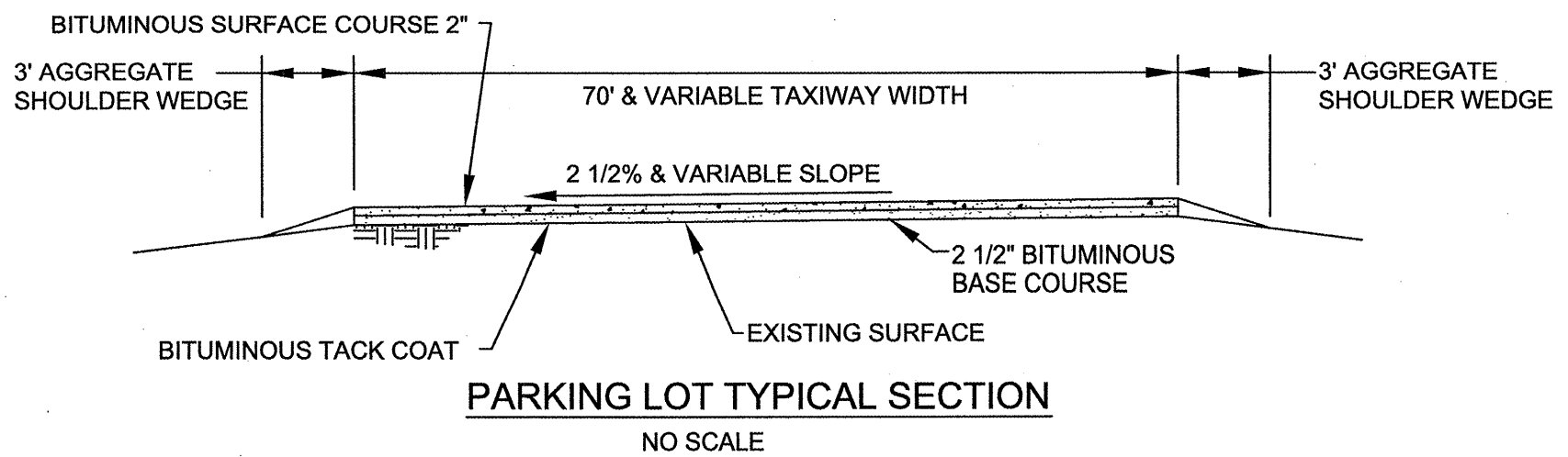


BUTT JOINT DETAIL
NO SCALE



ENTRANCE ROAD SECTION
NO SCALE

NOTE: ENTRANCE ROAD AND PARKING LOT CROSS SLOPES ARE TO BE PROVIDED BY THE ENGINEER



PARKING LOT TYPICAL SECTION
NO SCALE

14 Jul 2008 - 10:28am X:\2007\0719\AC\Typical Details.dwg: Layout Tab 'Model'