

PE087

**RS&H**  
IMPROVING YOUR WORLD

850 East Diehl Road  
Suite 120  
Naperville, Illinois 60563  
630-505-1991 FAX 630-505-1977  
www.rsandh.com

GREATER  
**Peoria**  
REGIONAL  
**Airport**  
PEORIA, ILLINOIS

TERMINAL  
APRON  
EXPANSION

SUBCONSULTANTS

PSA Dewberry

STS | AECOM

IL PROJECT: PIA-3812  
AIP PROJECT: 3-17-0080-46

REVISIONS

NO.	DESCRIPTION	DATE

DATE ISSUED: 06/27/08

REVIEWED BY: PCB

DRAWN BY: MJL

DESIGNED BY: NDO

AEP PROJECT NUMBER

213-6945-000

© 2008 REYNOLDS, SMITH AND HILLS INC.

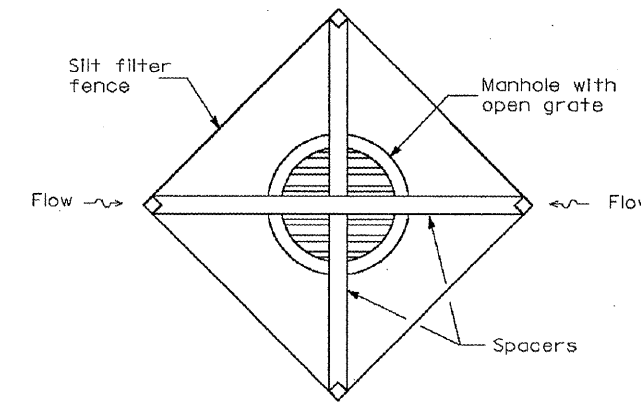
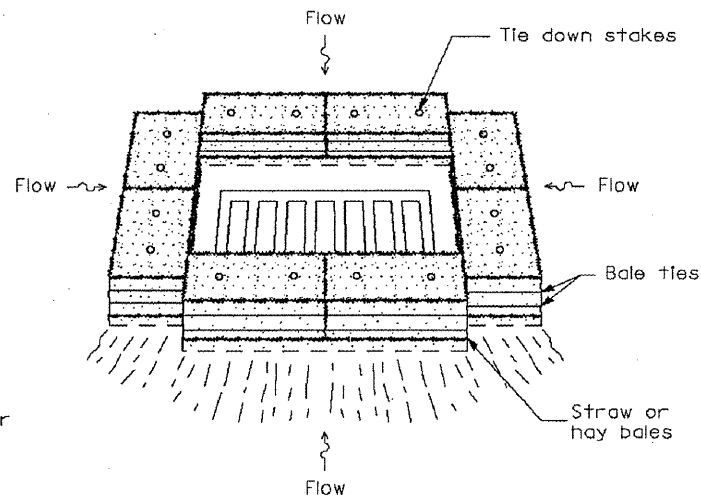
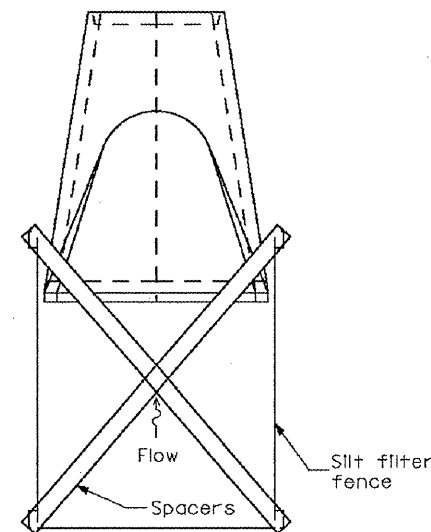
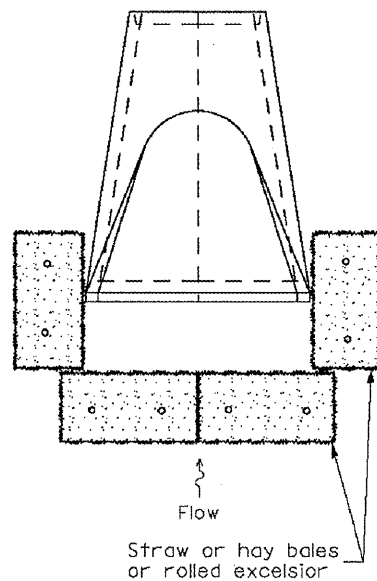
SHEET TITLE

EROSION AND  
SEDIMENTATION  
CONTROL DETAILS

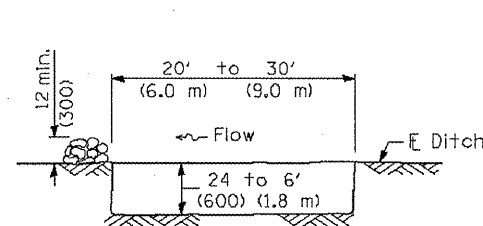
SHEET NUMBER

25 OF 43

ISSUED FOR  
BID DOCUMENTS

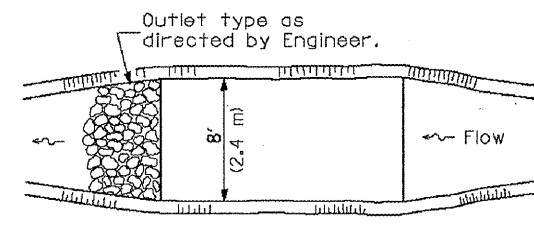


INLET AND PIPE PROTECTION



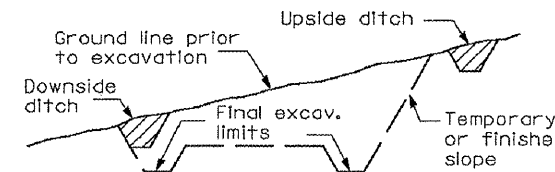
The performance of the basin will improve if put into a series.

ELEVATION

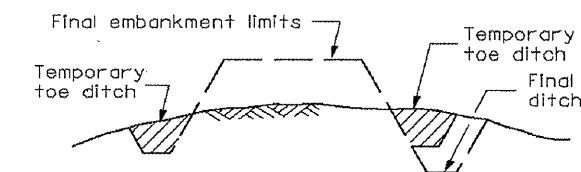


The long dimension should be parallel with the direction of the flow. Accumulated silt shall be removed anytime the basins become 75% filled.

PLAN



TYPICAL CUT CROSS-SECTION



TYPICAL FILL CROSS-SECTION

TEMPORARY DITCHES FOR  
CUT & FILL SECTIONS

SEDIMENT BASIN

Illinois Department of Transportation  
PASSED January 1, 2008  
ENGINEER OF POLICY AND PROCEDURES  
APPROVED January 1, 2008  
ENGINEER OF DESIGN AND ENVIRONMENT

TEMPORARY EROSION  
CONTROL SYSTEMS

(Sheet 2 of 2)

STANDARD 280001-04