

PE087

RS&H
IMPROVING YOUR WORLD

850 East Diehl Road
Suite 120
Naperville, Illinois 60563
630-505-1991 FAX 630-505-1977
www.rsandh.com

GREATER
Peoria
REGIONAL
Airport
PEORIA, ILLINOIS

TERMINAL
APRON
EXPANSION

SUBCONSULTANTS

PSA Dewberry

STS | AECOM

IL PROJECT: PIA-3812
AIP PROJECT: 3-17-0080-46

REVISIONS

NO.	DESCRIPTION	DATE

DATE ISSUED: 06/27/08

REVIEWED BY: PCB

DRAWN BY: JFC

DESIGNED BY: NDO

AEP PROJECT NUMBER

213-6945-000

© 2008 REYNOLDS, SMITH AND HILLS INC.

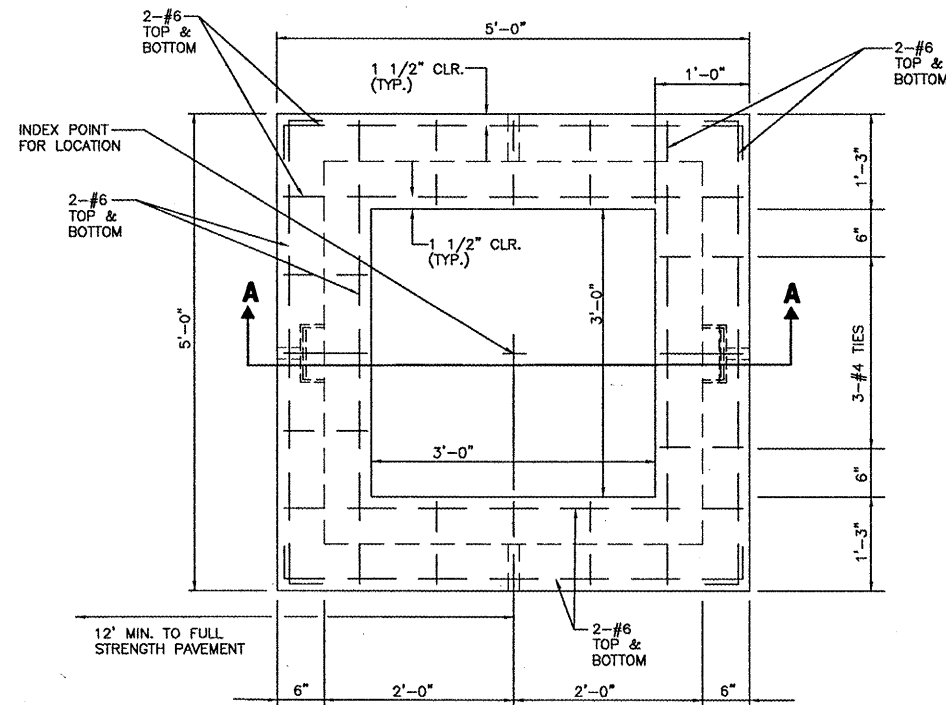
SHEET TITLE

HANDHOLE
DETAILS
(SHEET 1 OF 2)

SHEET NUMBER

29 OF 43

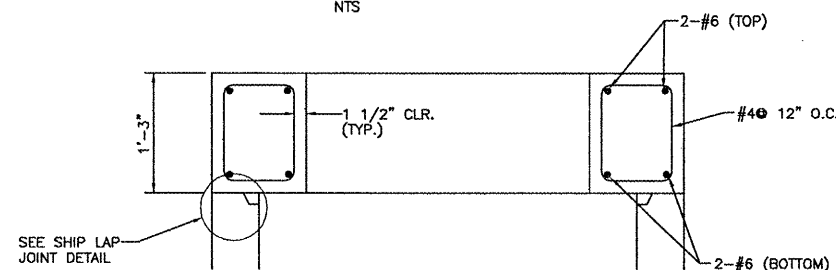
ISSUED FOR
BID DOCUMENTS



- NOTES:
1. SHOP DWG. OF HANDHOLE REQUIRED - B727-200 SERIES MAIN GEAR DESIGN LOAD
 2. CONG. TO HAVE 5000 PSI (MIN) COMPRESSIVE STRENGTH @ 28 DAYS.
 3. ALL ENTRANCES MUST BE WATERPROOFED & GROUTED SMOOTH ON THE INSIDE.
 4. ALL HANDHOLES SHALL BE INSTALLED WITH NEW GROUND RODS.
 5. PROPOSED HANDHOLES SHALL BE FAA APPROVED.

PLAN VIEW

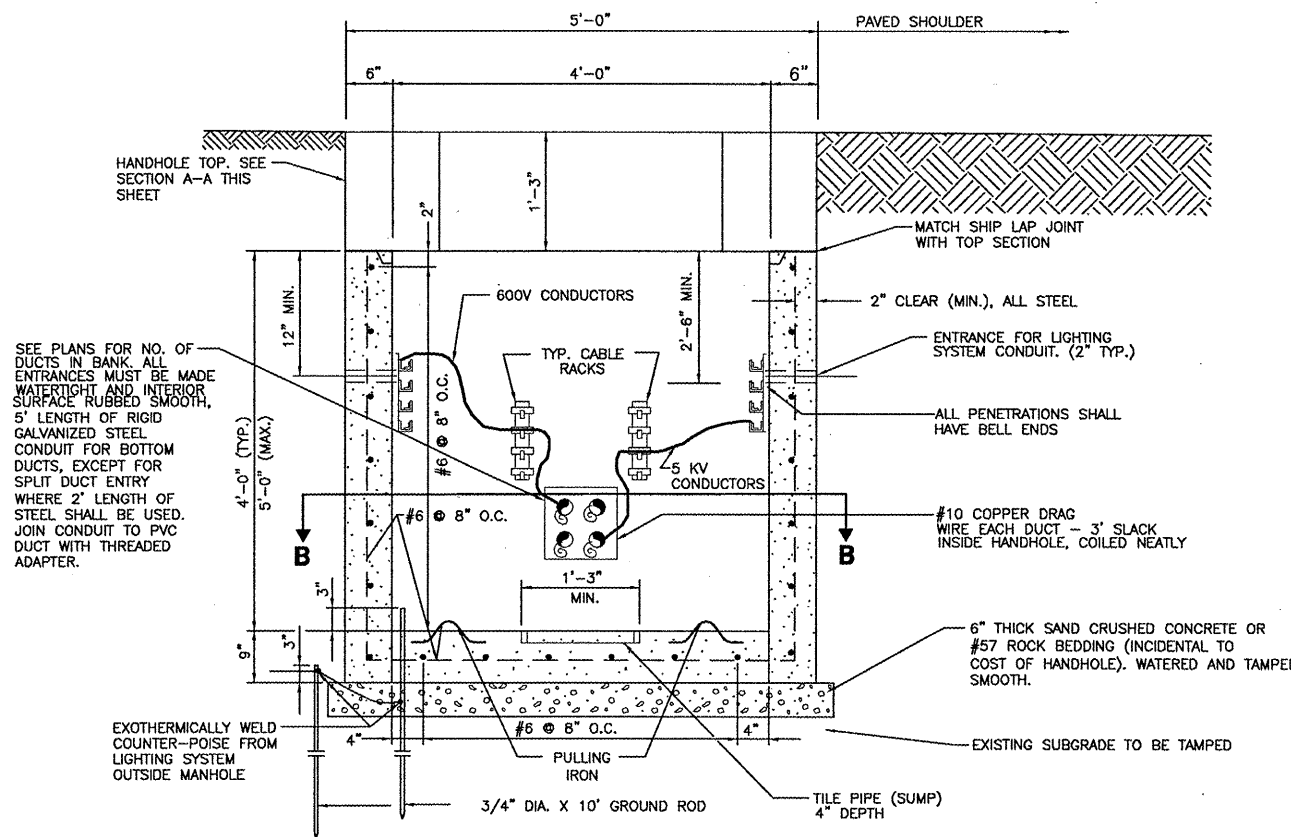
NTS



TOP - SECTION A-A

NTS

HANDHOLE DETAIL

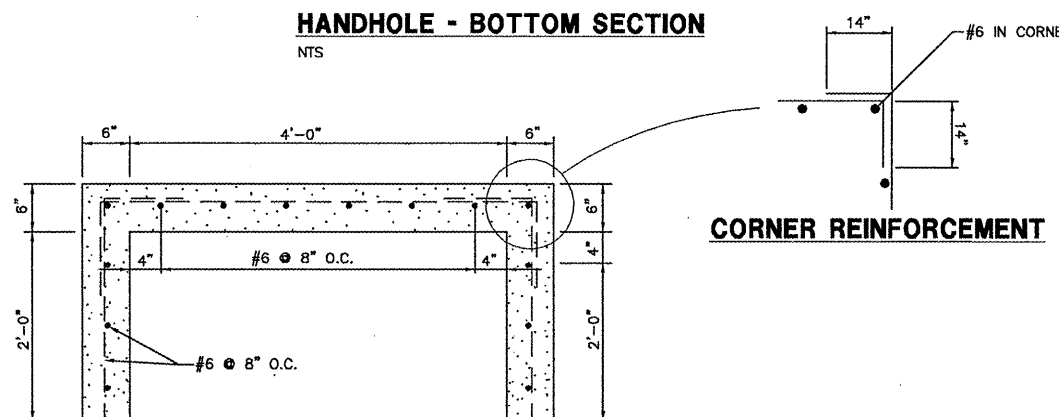


NOTES:

1. INSTALL IN UNPAVED AREAS.
2. BOND GROUND WIRE TO ALL EXPOSED METAL.
3. BOND COUNTERPOISE WIRE TO GROUND RODS TO MAINTAIN THE COMBINED COUNTERPOISE/GROUND SYSTEM USED FOR GROUNDING EXISTING LIGHTS, EQUIPMENT, ETC.
4. COST OF PULLING IRONS, SPLIT DUCTS WHERE REQUIRED, CABLE SUPPORT RACKS, GROUND RODS AND CONNECTIONS ARE INCIDENTAL TO HANDHOLES AND NO SEPERATE PAYMENT WILL BE MADE.

HANDHOLE - BOTTOM SECTION

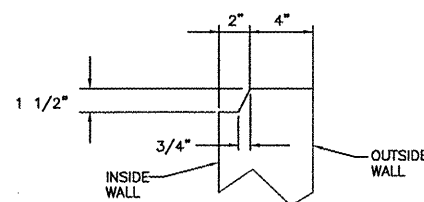
NTS



CORNER REINFORCEMENT

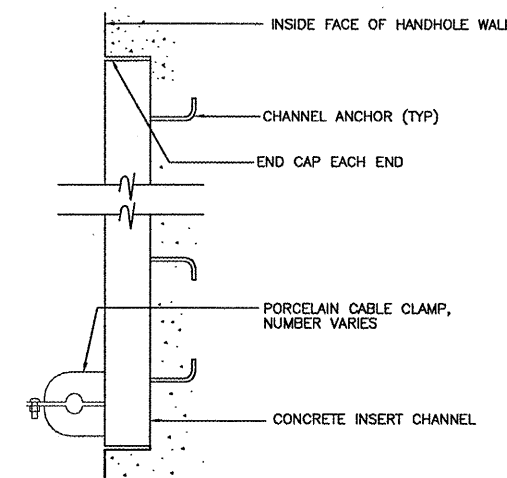
HANDHOLE BOTTOM - SECTION B-B

NTS



SHIP LAP JOINT DETAIL

NTS



NOTE: ALL COMPONENTS TO BE OF SAME MANUFACTURER

CABLE SUPPORT BRACKET

NTS